

The new rotomoulded tank system

**ACO Grease, starch and light liquid separators
for below ground installation**



ACO Grease, starch and light liquid separators for below ground installation

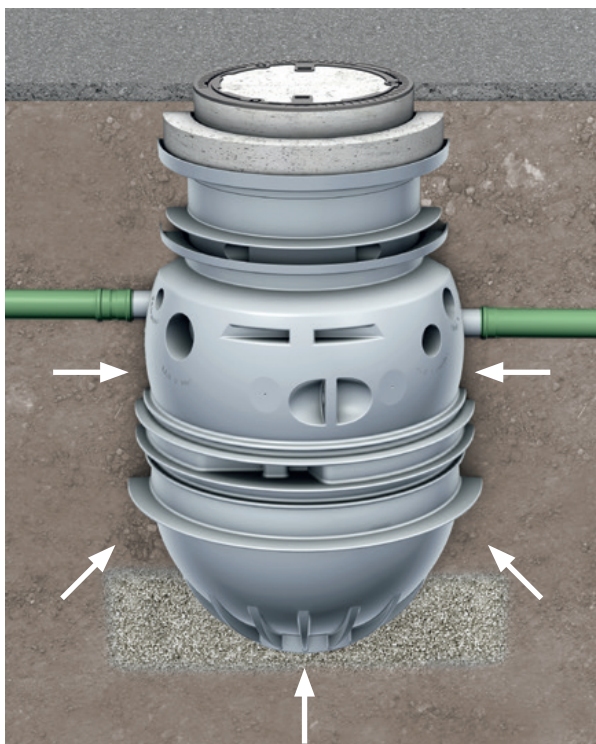
Commercial operations generating wastewater must implement appropriate measures, by using suitable pre-treatment installations like separators, to ensure that solids and liquids which can give off toxic and unpleasant vapours and odours are prevented from damaging construction materials and drainage facilities, harming operations, and are held back so that they do not enter sewage pipes.

Quality standards and tests

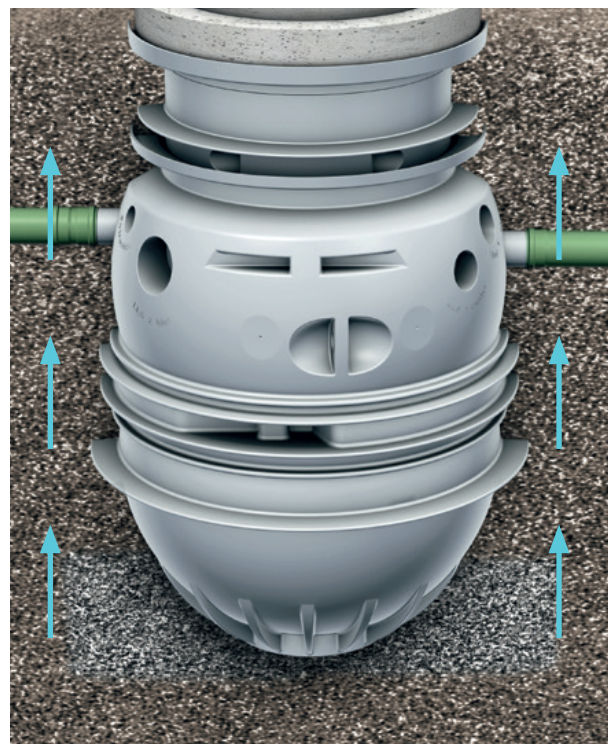
All ACO Grease separators are manufactured in accordance with EN 1825, all ACO Light liquid separators are manufactured in accordance with EN 858. All the separators in the range are hydraulically tested and have General Building Supervisory Authority Authorisation and/or the new application authorisation from DIBT Berlin.



The new rotomoulded tank system



Structural stability



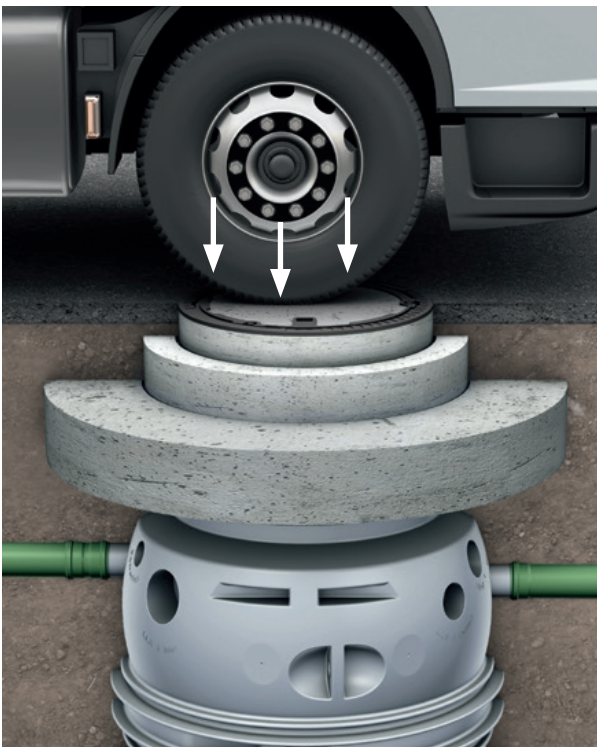
Protection against upwelling

Product stability guaranteed for 50 years

- Certified statics have been calculated for the tank system
- The new tank system supplies structural stability for 50 years

Protection against maximum ground water level

- Depending on the maximum allowed inlet invert, the separators can be installed in areas with maximum ground water until the ground level surface
- It is not necessary to cast an extensive upwelling protection on site



Available for load class A, B or D

Flexible application

- Load class A: walkable – courtyards, open space
- Load class B: drivable for cars – driveways, parking areas
- Load class D: drivable for lorries – petrol stations, service entrances

Contents

Grease separators		
Lipumax P-B	disposal and cleaning via cover	8
Lipumax P-D	disposal via direct suction connection, cleaning via cover	10
Lipumax P-DM	disposal via direct suction connection, cleaning via high-pressure cleaning	12
Lipumax P-DA	disposal via direct suction connection, automated cleaning via high-pressure, cleaning with remote control	14
Starch separators		
Fapumax P-B	disposal and cleaning via cover	16
Fapumax P-DA	disposal via direct suction connection, cleaning via integrated spray head (automatic control)	18
Accessories Lipumax P and Fapumax P		20
Light liquid separators		
Oleopator P	Light liquid separator Class I	22
Oleopass P	Light liquid separator Class I with bypass	24
Sludge trap		
Sludge Trap P	Separation of sediments according to dimensioning of light liquid separators	26
Accessories Oleopator P/Oleopass P and Sludge Trap P		28

Selecting the correct separator



When do grease separators have to be used?

Operations generating greasy wastewater have a mandatory obligation to install EN 1825 type grease separators to ensure that grease and organic oil is effectively removed from the wastewater. This applies for instance to kitchens and meat-processing operations. It is mandatory for every grease separator installed below the backflow level (usually corresponding to street level) to have a downstream twin lifting plant or complete pumping station. Each industry and commercial operation places individual demands on the capacity of grease separators, lifting plant and complete piping stations. Customisation therefore requires adaptable products in a wide range of sizes and materials. ACO has many decades of experience in supplying the most diverse range of grease separators, lifting plants and complete pumping stations for ground installation and free-standing installation.

When do light liquid separators have to be used?

The use of light liquid separators is stipulated by the regulations in DIN 1986-100, Section 6.2.3: "If petroleum or light oils, especially those that are combustible or can form explosive atmospheres, enter the sewers, separator systems for light oils must be used downstream of the discharge points." Discharging petroleum and light oils into public sewers can cause groundwater and drinking water contamination, and in serious cases, cause extensive environmental damage to flora and fauna. The solution to this problem is a light oil separator. Any light oil in the wastewater is collected in a separator tank and prevented from being discharged from the separator. The discharge outlet closes automatically when the maximum storage capacity has been reached. The light oil which collects in the separator is disposed of by certified recycling companies at regular intervals.

ACO Grease separator series Lipumax P from polyethylene

LOW cleaning and disposal comfort



Lipumax P-B disposal and cleaning via cover

Since disposal has to be done via the open manhole cover, it is recommended to install the grease separators in areas where the occurrence of stench does not pose inconveniences to the surroundings.

MEDIUM cleaning and disposal comfort



Lipumax P-D disposal with direct suction, cleaning via cover

It is possible to install a suction line DN 65 and an appropriate coupling on site.

Lipumax P-D grease separator with direct suction extraction is ideal for installation in areas where disposal via the manhole cover is not possible, in pedestrian zones or outdoor catering areas for instance.

HIGH cleaning and disposal comfort



Lipumax P-DM disposal with direct suction and cleaning with integrated spray head (manual control)

It is possible to install a suction line DN 65 and an appropriate coupling on site. The integrated high-pressure cleaning unit has to be operated manually and connected to a cold water supply.

Disposal and cleaning of the separator is accomplished via the direct suction and the high-pressure cleaning. Therefore, for disposal the cover has not to be removed. After the disposal and the cleaning, the separator is re-filled manually via the filling device.

PREMIUM cleaning and disposal comfort



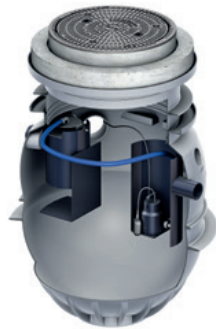
Lipumax P-DA disposal with direct suction and cleaning with integrated spray head (automatic control)

It is possible to install a suction line DN 65 and an appropriate coupling on site. The integrated high-pressure cleaning unit has to be connected to a cold water supply and is automatically operated.

Disposal and cleaning of the separator is accomplished automatically by using a remote control via the direct suction and the high-pressure cleaning. Therefore, for disposal the cover has not to be removed. After the disposal and the cleaning, the separator is re-filled automatically via the filling device which has to be connected to a cold water supply.

ACO Starch separator series Fapumax P from polyethylene

LOW cleaning and disposal comfort



Fapumax P-B disposal and cleaning via cover

Since disposal has to be done via the open manhole cover, it is recommended to install the starch separators in areas where the occurrence of stench does not pose inconveniences to the surroundings. The spray shower head serves to rinse off the starch.

PREMIUM cleaning and disposal comfort



Fapumax P-DA disposal with direct suction and cleaning with integrated spray head (automatic control)

It is possible to install a suction line DN 65 and an appropriate coupling on site. The integrated high-pressure cleaning unit has to be connected to a cold water supply and is automatically operated. The spray shower head serves to rinse off the starch. The spray shower head serves to rinse off the starch. Disposal and cleaning of the separator is accomplished automatically by using a remote control via the direct suction and the high-pressure cleaning. Therefore, for disposal the cover has not to be removed. After the disposal and cleaning, the separator is re-filled automatically via the filling device which has to be connected to an cold water supply.

ACO Light liquid separator series Oleopator P and Oleopass P from polyethylene



Oleopator P – Class I

Oleopator P Class I light liquids separators are designed for ground installation outside of buildings, to treat waste water from industrial processes or oil contaminated rainwater from impervious areas or to retain any spillage of light liquid and to protect surrounding areas.

Depending on the load class and nominal size, the inlet invert varies between 450–2000 mm.

Light liquid separators can be equipped with top sections for the load classes A 15, B 125 or D 400 according EN 124.



Oleopass P – Class I with bypass

Oleopass P Class I light liquid separators with bypass are designed for ground installation outside of buildings, to treat oil contaminated rainwater from impervious areas or to retain any spillage of light liquid and to protect surrounding areas.

It is not possible to use the separators with bypass to treat waste water from industrial processes, vehicle washing, cleansing of oil covered parts or other sources, e.g. petrol stations. Depending on the load class and nominal size, the inlet invert varies between 450–2000 mm.

Light liquid separators can be equipped with top sections for the load classes A 15, B 125 or D 400 according EN 124.

ACO Sludge trap series from polyethylene

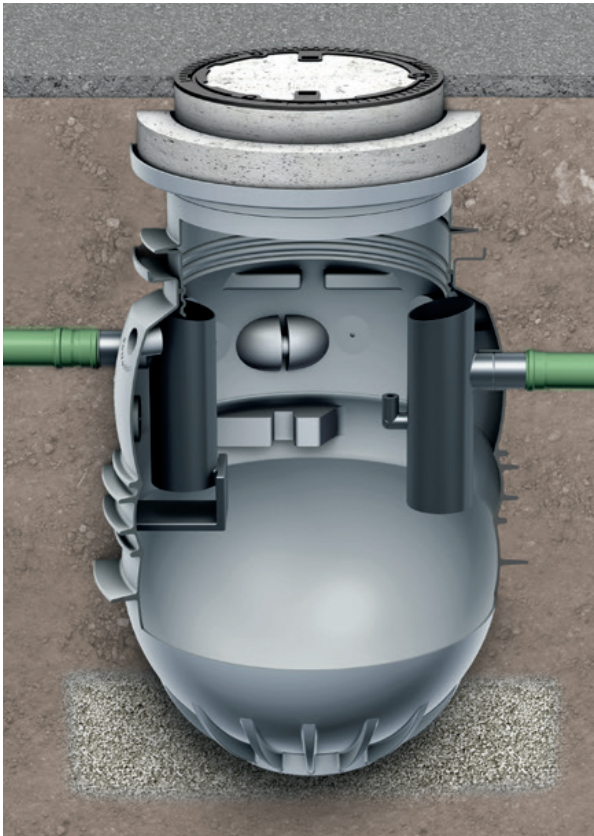


Sludge Trap P

Sedimentation tanks are designed for ground installation outside of buildings, to treat polluted wastewater with huge contents of solids before the light liquid separator.

Depending on the load class and total volume, the inlet invert varies between 415–2000 mm.

ACO Grease separator Lipumax P-B – Basic model

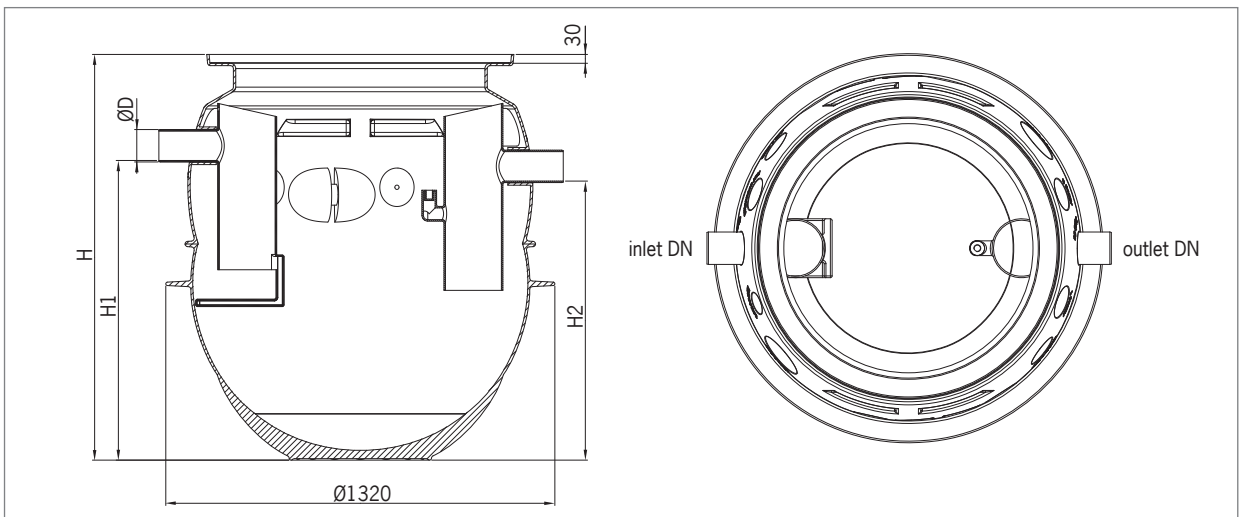


Grease separator of polyethylene for below ground installation

- according to EN 1825 and DIN 4040-100
- certificate
 - 7310374-01a (NS 2, NS 4)
 - 7310372-01 (NS 5.5)
 - 7310372-02 (NS 7)
 - 7311241-01 (NS 8.5, NS 10)
- inlet and outlet connection according to outside diameter D depending on nominal size of separator
- disposal and cleaning via cover

Installation example shows ACO Lipumax P-B NS 4 with a top section unit for load class B 125

Lipumax P-B – Order data

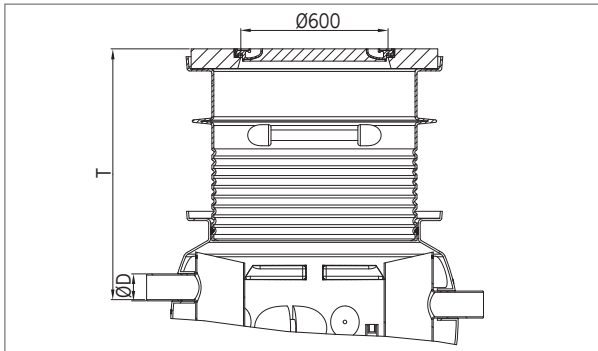


Accessories

- sampling pots and extension elements, page 20
- grease level sensor, page 21

Nominal size	Nominal width	Volume sludge trap [l]	Volume grease storage [l]	Total capacity [l]	D	H	H1	H2	Weight [kg]	Article No.	Article No.
					[mm]	[mm]	[mm]	[mm]		[grey]	[white]
NS 2	DN 100	245	270	720	110	1377	1015	945	63	3202.80.00	3202.90.00
NS 2	DN 100	460	270	930	110	1594	1235	1165	79	3202.80.10	3202.90.10
NS 4	DN 100	460	270	930	110	1594	1235	1165	79	3204.80.00	3204.90.00
NS 4	DN 100	980	270	1465	110	2129	1745	1675	89	3204.80.10	3204.90.10
NS 5.5	DN 150	570	230	1465	160	2129	1745	1675	93	3205.80.00	3205.90.00
NS 5.5	DN 150	1065	230	1960	160	2611	2226	2156	108	3205.80.10	3205.90.10
NS 7	DN 150	730	285	1675	160	2346	1960	1890	108	3207.80.00	3207.90.00
NS 8.5	DN 150	860	360	1900	160	2558	2172	2102	115	3208.80.00	3208.90.00
NS 10	DN 150	1010	415	2170	160	2828	2443	2373	125	3210.80.00	3210.90.00

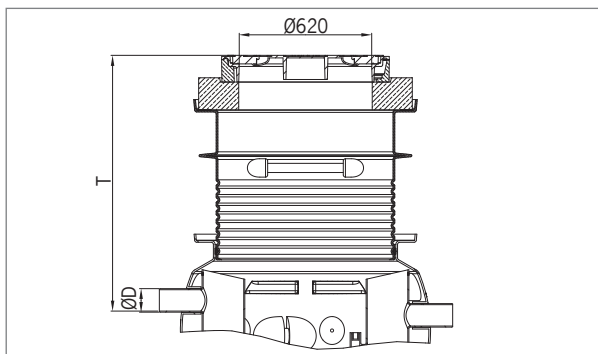
Top section load class A 15 – Order data



- load class A 15 according to EN 124
- frame from concrete, cover from cast iron
- clear opening Ø 600 mm
- cover odour proof sealed
- raising tube from polyethylene (only included with top section 3300.14.01 and 3300.14.02)

	NS 2 ST 200	NS 2 ST 400	NS 4 ST 400	NS 4 ST 800	NS 5.5 ST 550	NS 5.5 ST 1100	NS 7 ST 700	NS 8.5 ST 850	NS 10 ST 1000	Weight [kg]	Article No. [grey]	Article No. [white]
T [mm]	420	420	420	420	445	445	445	445	445	145	3300.14.00	3300.14.00
	720-1020	720-1985	720-1020	720-1020	745-1045	745-1045	745-1045	745-1045	745-1045	170	3300.14.01	3300.24.01
	720-1985	720-1985	720-1985	720-1830	745-1855	745-1370	745-1640	745-1430	745-1160	193	3300.14.02	3300.24.02

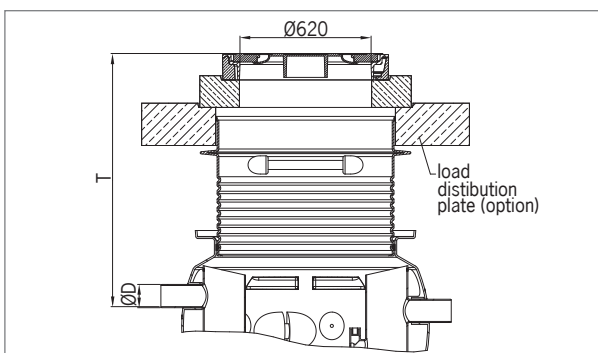
Top section load class B 125 – Order data



- load class B 125 according to EN 124
- frame from concrete, cover from cast iron
- clear opening Ø 600 mm
- cover odour proof sealed
- adapter plate from concrete Ø 1000 mm x 150 mm
- raising tube from polyethylene (only included with top section 3300.15.01 and 3300.15.02)

	NS 2 ST 200	NS 2 ST 400	NS 4 ST 400	NS 4 ST 800	NS 5.5 ST 550	NS 5.5 ST 1100	NS 7 ST 700	NS 8.5 ST 850	NS 10 ST 1000	Weight [kg]	Article No. [grey]	Article No. [white]
T [mm]	585	585	585	585	610	610	610	610	610	282	3300.15.00	3300.15.00
	885-1195	885-1195	885-1195	885-1195	910-1220	910-1220	910-1220	910-1220	910-1220	307	3300.15.01	3300.25.01
	885-1985	885-1985	885-1985	885-1830	910-1855	910-1370	910-1640	910-1430	910-1160	330	3300.15.02	3300.25.02

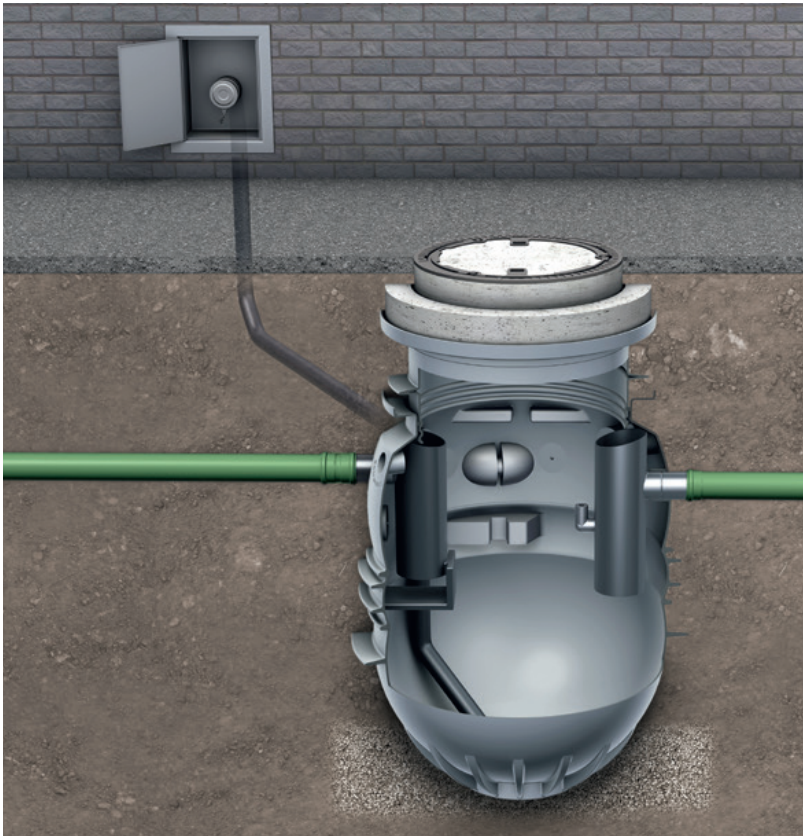
Top section load class D 400 – Order data



- load class D 400 according to EN 124
- frame from concrete, cover from cast iron
- clear opening Ø 600 mm
- cover odour proof sealed
- adapter plate from concrete Ø 1000 mm x 150 mm
- raising tube from polyethylene
- selectively with load distribution plate from concrete Ø 1500 mm x 200 mm

	NS 2 ST 200	NS 2 ST 400	NS 4 ST 400	NS 4 ST 800	NS 5.5 ST 550	NS 5.5 ST 1100	NS 7 ST 700	NS 8.5 ST 850	NS 10 ST 1000	Weight [kg]	Article No. [grey]	Article No. [white]
T [mm] without load distribu- tion plate	865-1985	865-1985	865-1985	865-1830	890-1855	890-1370	890-1640	890-1430	890-1160	330	3300.17.00	3300.27.00
T [mm] with load distribu- tion plate	865-1985	865-1985	865-1985	865-1830	890-1855	890-1370	890-1640	890-1430	890-1160	1030	3300.16.00	3300.26.00

ACO Grease separator Lipumax P-D – Extension stage 1

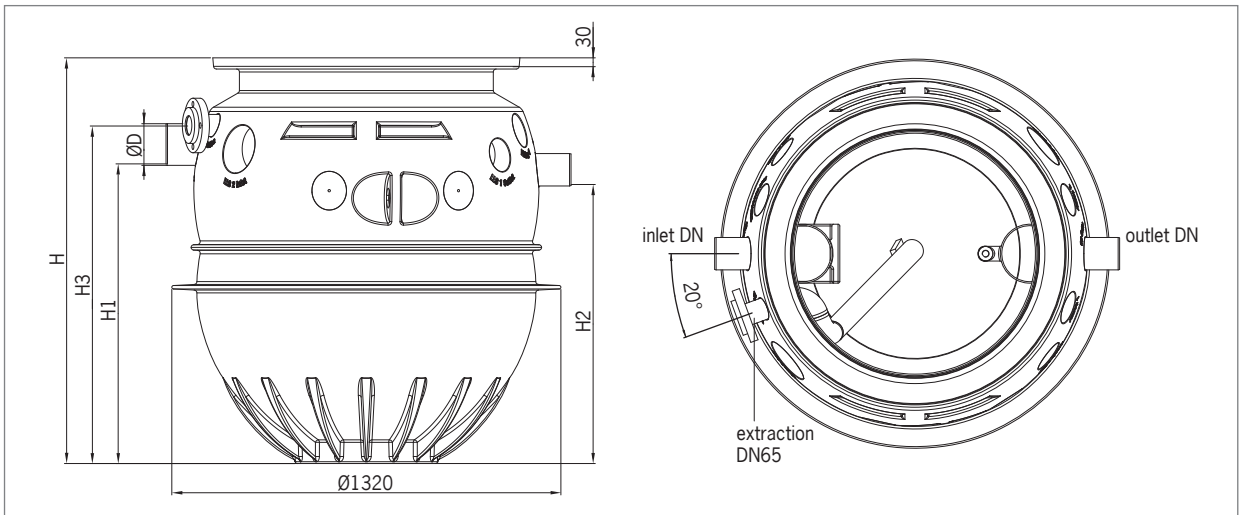


Grease separator of polyethylene for below ground installation

- according to EN 1825 and DIN 4040-100
- certificate
 - 7310374-01a (NS 2, NS 4)
 - 7310372-01 (NS 5.5)
 - 7310372-02 (NS 7)
 - 7311241-01 (NS 8.5)
 - 7311241-02 (NS 10)
- inlet and outlet connection according to outside diameter D depending on nominal size of separator
- disposal via direct suction line DN 65, PN 10, counter flange and Storz-75 B hose quick coupling and blind cover
- cleaning via cover

Installation example shows ACO Lipumax P-D NS 4 with a top section unit for load class B 125

Lipumax P-D – Order data

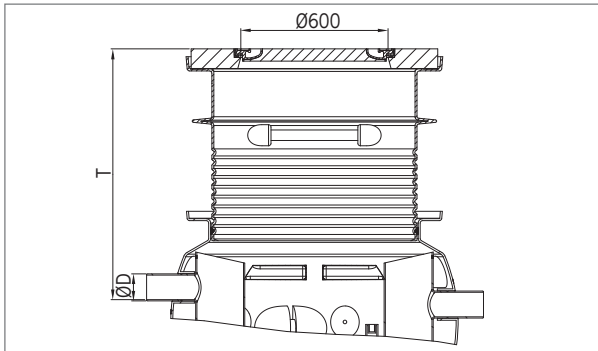


Accessories

- sampling pots and extension elements, page 20
- grease level sensor, page 21

Nominal size	Nominal width	Volume sludge trap [l]	Volume grease storage [l]	Total capacity [l]	D	H	H1	H2	H3	Weight [kg]	Article No.	Article No.
					[mm]	[mm]	[mm]	[mm]	[mm]		[grey]	[white]
NS 2	DN 100	245	270	720	110	1377	1015	945	1147	66	3202.81.00	3202.91.00
NS 2	DN 100	460	270	930	110	1594	1235	1165	1364	81	3202.81.10	3202.91.10
NS 4	DN 100	460	270	930	110	1594	1235	1165	1364	81	3204.81.00	3204.91.00
NS 4	DN 100	980	270	1465	110	2129	1745	1675	1899	92	3204.81.10	3204.91.10
NS 5.5	DN 150	570	230	1465	160	2129	1745	1675	1899	95	3205.81.00	3205.91.00
NS 5.5	DN 150	1065	230	1960	160	2611	2226	2156	2381	111	3205.81.10	3205.91.10
NS 7	DN 150	730	285	1675	160	2346	1960	1890	2116	111	3207.81.00	3207.91.00
NS 8.5	DN 150	860	360	1900	160	2558	2172	2102	2328	118	3208.81.00	3208.91.00
NS 10	DN 150	1010	415	2170	160	2828	2443	2373	2598	128	3210.81.00	3210.91.00

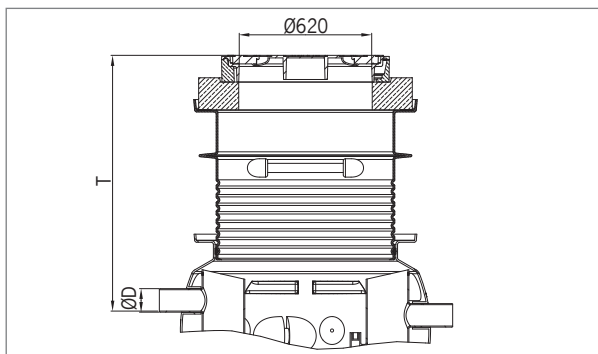
Top section load class A 15 – Order data



- load class A 15 according to EN 124
- frame from concrete, cover from cast iron
- clear opening Ø 600 mm
- cover odour proof sealed
- raising tube from polyethylene (only included with top section 3300.14.01 and 3300.14.02)

	NS 2 ST 200	NS 2 ST 400	NS 4 ST 400	NS 4 ST 800	NS 5.5 ST 550	NS 5.5 ST 1100	NS 7 ST 700	NS 8.5 ST 850	NS 10 ST 1000	Weight [kg]	Article No. [grey]	Article No. [white]
T [mm]	420	420	420	420	445	445	445	445	445	145	3300.14.00	3300.14.00
	720-1020	720-1985	720-1020	720-1020	745-1045	745-1045	745-1045	745-1045	745-1045	170	3300.14.01	3300.24.01
	720-1985	720-1985	720-1985	720-1830	745-1855	745-1370	745-1640	745-1430	745-1160	193	3300.14.02	3300.24.02

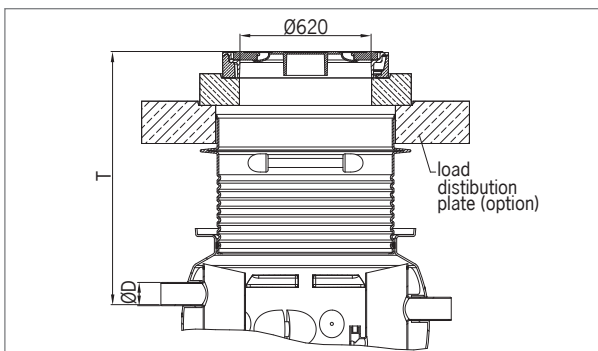
Top section load class B 125 – Order data



- load class B 125 according to EN 124
- frame from concrete, cover from cast iron
- clear opening Ø 600 mm
- cover odour proof sealed
- adapter plate from concrete Ø 1000 mm x 150 mm
- raising tube from polyethylene (only included with top section 3300.15.01 and 3300.15.02)

	NS 2 ST 200	NS 2 ST 400	NS 4 ST 400	NS 4 ST 800	NS 5.5 ST 550	NS 5.5 ST 1100	NS 7 ST 700	NS 8.5 ST 850	NS 10 ST 1000	Weight [kg]	Article No. [grey]	Article No. [white]
T [mm]	585	585	585	585	610	610	610	610	610	282	3300.15.00	3300.15.00
	885-1195	885-1195	885-1195	885-1195	910-1220	910-1220	910-1220	910-1220	910-1220	307	3300.15.01	3300.25.01
	885-1985	885-1985	885-1985	885-1830	910-1855	910-1370	910-1640	910-1430	910-1160	330	3300.15.02	3300.25.02

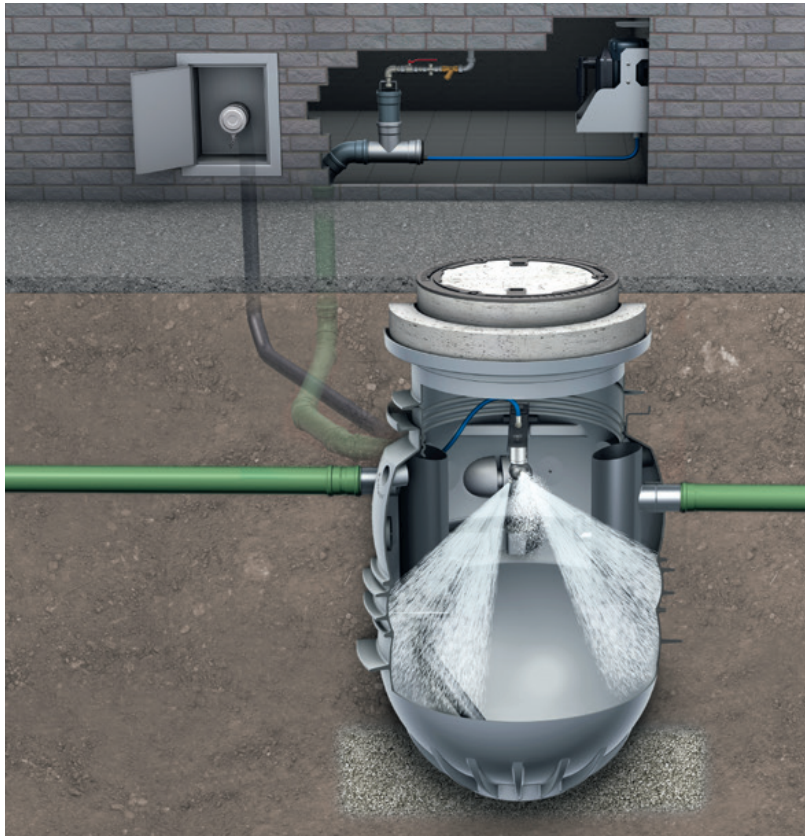
Top section load class D 400 – Order data



- load class D 400 according to EN 124
- frame from concrete, cover from cast iron
- clear opening Ø 600 mm
- cover odour proof sealed
- adapter plate from concrete Ø 1000 mm x 150 mm
- raising tube from polyethylene
- selectively with load distribution plate from concrete Ø 1500 mm x 200 mm

	NS 2 ST 200	NS 2 ST 400	NS 4 ST 400	NS 4 ST 800	NS 5.5 ST 550	NS 5.5 ST 1100	NS 7 ST 700	NS 8.5 ST 850	NS 10 ST 1000	Weight [kg]	Article No. [grey]	Article No. [white]
T [mm] without load distribu- tion plate	865-1985	865-1985	865-1985	865-1830	890-1855	890-1370	890-1640	890-1430	890-1160	330	3300.17.00	3300.27.00
T [mm] with load distribu- tion plate	865-1985	865-1985	865-1985	865-1830	890-1855	890-1370	890-1640	890-1430	890-1160	1030	3300.16.00	3300.26.00

ACO Grease separator Lipumax P-DM – Extension stage 2

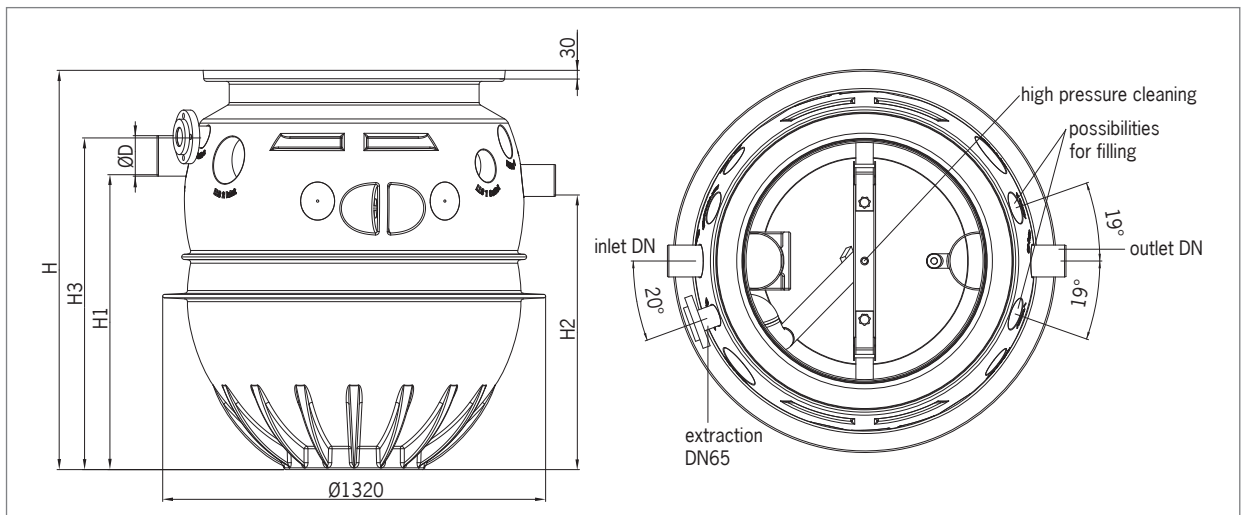


Grease separator of polyethylene for below ground installation

- according to EN 1825, DIN 4040-100
- certificate
 - 7310374-01a (NS 2, NS 4)
 - 7310372-01 (NS 5.5)
 - 7310372-02 (NS 7)
 - 7311241-01 (NS 8.5)
 - 7311241-02 (NS 10)
- inlet and outlet connection according to outside diameter D depending on nominal size of separator
- disposal via direct suction line DN 65, PN 10, counter flange and Storz-75 B hose quick coupling and blind cover
- filling device 3/4" with manual operated ball valve to be installed inside a building with cold water supply
- high pressure internal cleaning
 - high-pressure pump with storage tank to be installed inside a building with cold water supply
 - manual controlled disposal
 - nominal pressure: 175 bar
 - flow rate: 13 litre/minute
 - electrical connection: 400 V/ 50 Hz/16 A/3,9 kW

Installation example shows ACO Lipumax P-DM NS 4 with a top section unit for load class B 125

Lipumax P-DM – Order data



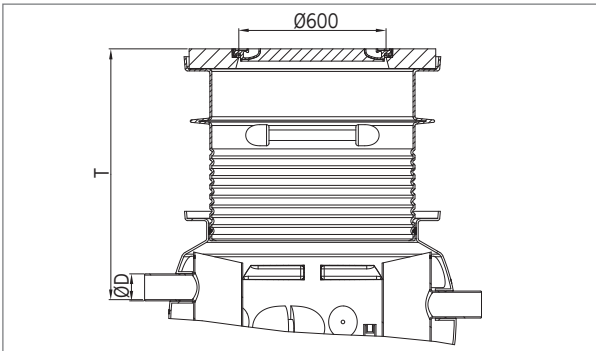
Accessories

- sampling pots and extension elements, page 20
- grease level sensor, page 21

- high-pressure hose, page 21
- Note! Always required for Lipumax P-DM.**

Nominal size	Nominal width	Volume sludge trap [l]	Volume grease storage [l]	Total capacity [l]	D	H	H1	H2	H3	Weight [kg]	Article No. [grey]	Article No. [white]
					[mm]	[mm]	[mm]	[mm]	[mm]			
NS 2	DN 100	245	270	720	110	1377	1015	945	1147	119	3202.82.00	3202.92.00
NS 2	DN 100	460	270	930	110	1594	1235	1165	1364	134	3202.82.10	3202.92.10
NS 4	DN 100	460	270	930	110	1594	1235	1165	1364	134	3204.82.00	3204.92.00
NS 4	DN 100	980	270	1465	110	2129	1745	1675	1899	145	3204.82.10	3204.92.10
NS 5.5	DN 150	570	230	1465	160	2129	1745	1675	1899	148	3205.82.00	3205.92.00
NS 5.5	DN 150	1065	230	1960	160	2611	2226	2156	2381	164	3205.82.10	3205.92.10
NS 7	DN 150	730	285	1675	160	2346	1960	1890	2116	164	3207.82.00	3207.92.00
NS 8.5	DN 150	860	360	1900	160	2558	2172	2102	2328	171	3208.82.00	3208.92.00
NS 10	DN 150	1010	415	2170	160	2828	2443	2373	2598	181	3210.82.00	3210.92.00

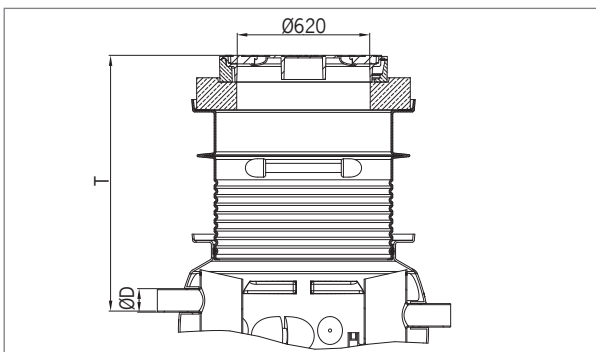
Top section load class A 15 – Order data



- load class A 15 according to EN 124
- frame from concrete, cover from cast iron
- clear opening Ø 600 mm
- cover odour proof sealed
- raising tube from polyethylene (only included with top section 3300.14.01 and 3300.14.02)

	NS 2 ST 200	NS 2 ST 400	NS 4 ST 400	NS 4 ST 800	NS 5.5 ST 550	NS 5.5 ST 1100	NS 7 ST 700	NS 8.5 ST 850	NS 10 ST 1000	Weight [kg]	Article No. [grey]	Article No. [white]
T	420	420	420	420	445	445	445	445	445	145	3300.14.00	3300.14.00
[mm]	720-1020	720-1985	720-1020	720-1020	745-1045	745-1045	745-1045	745-1045	745-1045	170	3300.14.01	3300.24.01
	720-1985	720-1985	720-1985	720-1830	745-1855	745-1370	745-1640	745-1430	745-1160	193	3300.14.02	3300.24.02

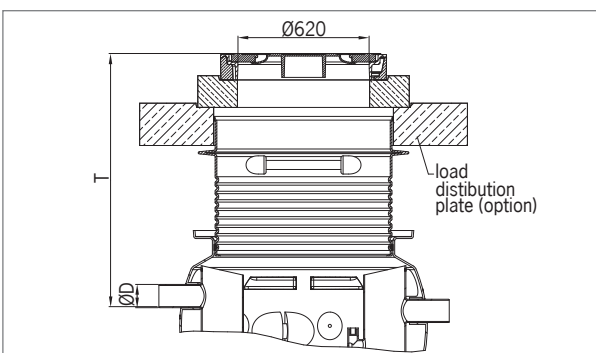
Top section load class B 125 – Order data



- load class B 125 according to EN 124
- frame from concrete, cover from cast iron
- clear opening Ø 600 mm
- cover odour proof sealed
- adapter plate from concrete Ø 1000 mm x 150 mm
- raising tube from polyethylene (only included with top section 3300.15.01 and 3300.15.02)

	NS 2 ST 200	NS 2 ST 400	NS 4 ST 400	NS 4 ST 800	NS 5.5 ST 550	NS 5.5 ST 1100	NS 7 ST 700	NS 8.5 ST 850	NS 10 ST 1000	Weight [kg]	Article No. [grey]	Article No. [white]
T	585	585	585	585	610	610	610	610	610	282	3300.15.00	3300.15.00
[mm]	885-1195	885-1195	885-1195	885-1195	910-1220	910-1220	910-1220	910-1220	910-1220	307	3300.15.01	3300.25.01
	885-1985	885-1985	885-1985	885-1830	910-1855	910-1370	910-1640	910-1430	910-1160	330	3300.15.02	3300.25.02

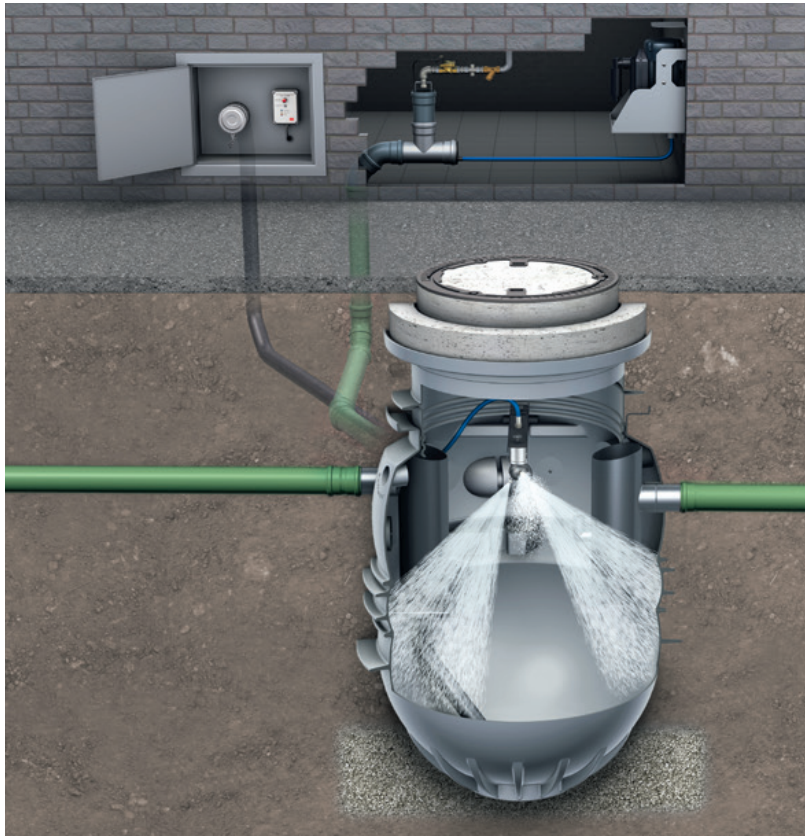
Top section load class D 400 – Order data



- load class D 400 according to EN 124
- frame from concrete, cover from cast iron
- clear opening Ø 600 mm
- cover odour proof sealed
- adapter plate from concrete Ø 1000 mm x 150 mm
- raising tube from polyethylene
- selectively with load distribution plate from concrete Ø 1500 mm x 200 mm

	NS 2 ST 200	NS 2 ST 400	NS 4 ST 400	NS 4 ST 800	NS 5.5 ST 550	NS 5.5 ST 1100	NS 7 ST 700	NS 8.5 ST 850	NS 10 ST 1000	Weight [kg]	Article No. [grey]	Article No. [white]
T [mm] without load distribution plate	865-1985	865-1985	865-1985	865-1830	890-1855	890-1370	890-1640	890-1430	890-1160	330	3300.17.00	3300.27.00
T [mm] with load distribution plate	865-1985	865-1985	865-1985	865-1830	890-1855	890-1370	890-1640	890-1430	890-1160	1030	3300.16.00	3300.26.00

ACO Grease separator Lipumax P-DA – Extension stage 3

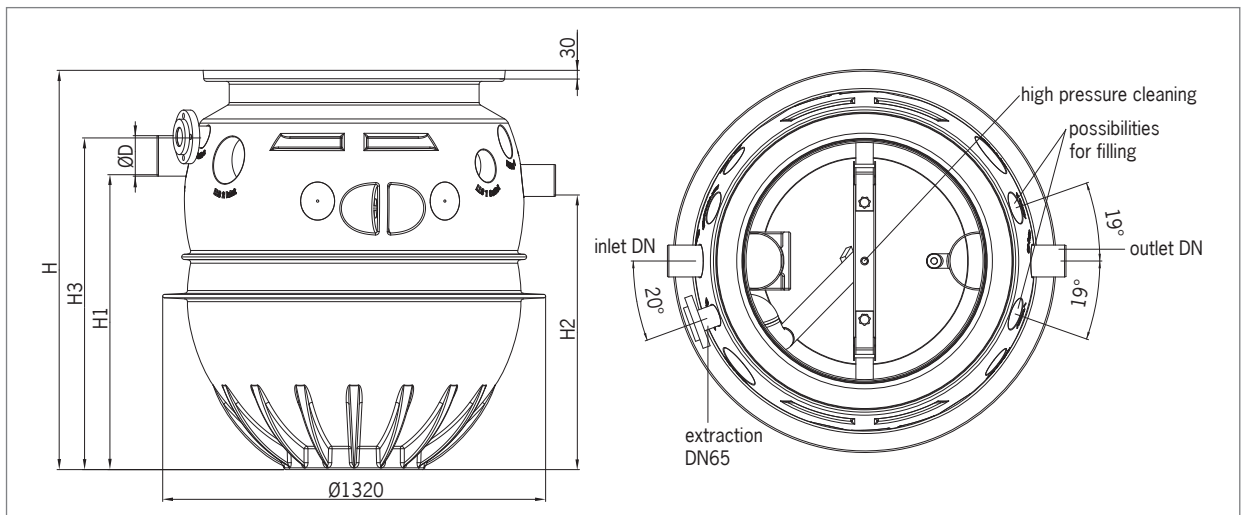


Grease separator of polyethylene for below ground installation

- according to EN 1825, DIN 4040-100
- certificate
 - 7310374-01a (NS 2, NS 4)
 - 7310372-01 (NS 5.5)
 - 7310372-02 (NS 7)
 - 7311241-01 (NS 8.5)
 - 7311241-02 (NS 10)
- inlet and outlet connection according to outside diameter D depending on nominal size of separator
- disposal via direct suction line DN 65, PN 10, counter flange and Storz-75 B hose quick coupling and blind cover
- filling device ¾" with solenoid valve to be installed inside a building with cold water supply
- high pressure internal cleaning
 - high-pressure pump with storage tank to be installed inside a building with cold water supply
 - automatic program controlled disposal via remote control
 - nominal pressure: 175 bar
 - flow rate: 13 litre/minute
 - electrical connection: 400 V/ 50 Hz/16 A/3,9 kW

Installation example shows ACO Lipumax P-DA NS 4 with a top section unit for load class B 125

Lipumax P-DA – Order data



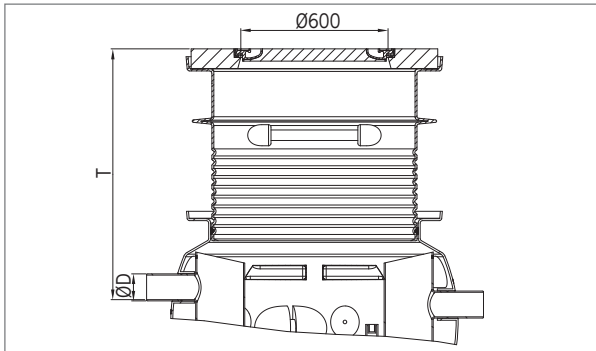
Accessories

- sampling pots and extension elements, page 20
- grease level sensor, page 21

- high-pressure hose, page 21
- Note! Always required for Lipumax P-DA.**

Nominal size	Nominal width	Volume sludge trap [l]	Volume grease storage [l]	Total capacity [l]	D	H	H1	H2	H3	Weight [kg]	Article No. [grey]	Article No. [white]
					[mm]	[mm]	[mm]	[mm]	[mm]			
NS 2	DN 100	245	270	720	110	1377	1015	945	1147	123	3202.83.00	3202.93.00
NS 2	DN 100	460	270	930	110	1594	1235	1165	1364	138	3202.83.10	3202.93.10
NS 4	DN 100	460	270	930	110	1594	1235	1165	1364	138	3204.83.00	3204.93.00
NS 4	DN 100	980	270	1465	110	2129	1745	1675	1899	149	3204.83.10	3204.93.10
NS 5.5	DN 150	570	230	1465	160	2129	1745	1675	1899	152	3205.83.00	3205.93.00
NS 5.5	DN 150	1065	230	1960	160	2611	2226	2156	2381	167	3205.83.10	3205.93.10
NS 7	DN 150	730	285	1675	160	2346	1960	1890	2116	168	3207.83.00	3207.93.00
NS 8.5	DN 150	860	360	1900	160	2558	2172	2102	2328	175	3208.83.00	3208.93.00
NS 10	DN 150	1010	415	2170	160	2828	2443	2373	2598	185	3210.83.00	3210.93.00

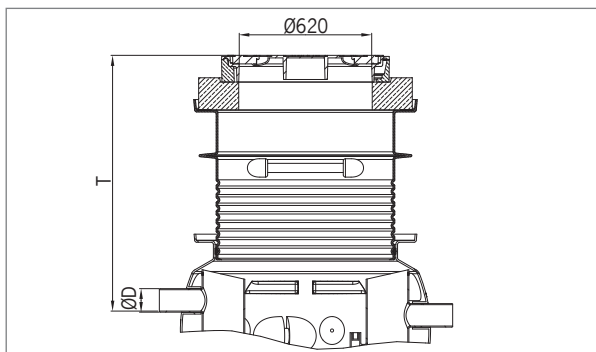
Top section load class A 15 – Order data



- load class A 15 according to EN 124
- frame from concrete, cover from cast iron
- clear opening Ø 600 mm
- cover odour proof sealed
- raising tube from polyethylene (only included with top section 3300.14.01 and 3300.14.02)

	NS 2 ST 200	NS 2 ST 400	NS 4 ST 400	NS 4 ST 800	NS 5.5 ST 550	NS 5.5 ST 1100	NS 7 ST 700	NS 8.5 ST 850	NS 10 ST 1000	Weight [kg]	Article No. [grey]	Article No. [white]
T [mm]	420	420	420	420	445	445	445	445	445	145	3300.14.00	3300.14.00
	720-1020	720-1985	720-1020	720-1020	745-1045	745-1045	745-1045	745-1045	745-1045	170	3300.14.01	3300.24.01
	720-1985	720-1985	720-1985	720-1830	745-1855	745-1370	745-1640	745-1430	745-1160	193	3300.14.02	3300.24.02

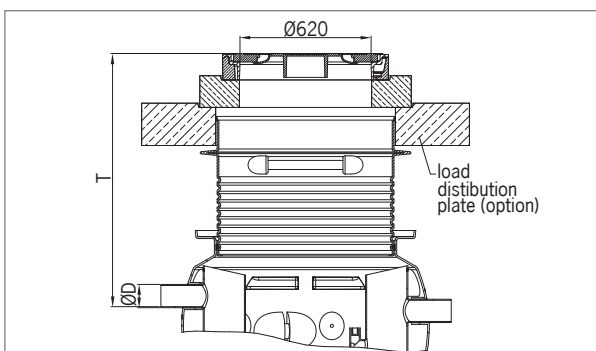
Top section load class B 125 – Order data



- load class B 125 according to EN 124
- frame from concrete, cover from cast iron
- clear opening Ø 600 mm
- cover odour proof sealed
- adapter plate from concrete Ø 1000 mm x 150 mm
- raising tube from polyethylene (only included with top section 3300.15.01 and 3300.15.02)

	NS 2 ST 200	NS 2 ST 400	NS 4 ST 400	NS 4 ST 800	NS 5.5 ST 550	NS 5.5 ST 1100	NS 7 ST 700	NS 8.5 ST 850	NS 10 ST 1000	Weight [kg]	Article No. [grey]	Article No. [white]
T [mm]	585	585	585	585	610	610	610	610	610	282	3300.15.00	3300.15.00
	885-1195	885-1195	885-1195	885-1195	910-1220	910-1220	910-1220	910-1220	910-1220	307	3300.15.01	3300.25.01
	885-1985	885-1985	885-1985	885-1830	910-1855	910-1370	910-1640	910-1430	910-1160	330	3300.15.02	3300.25.02

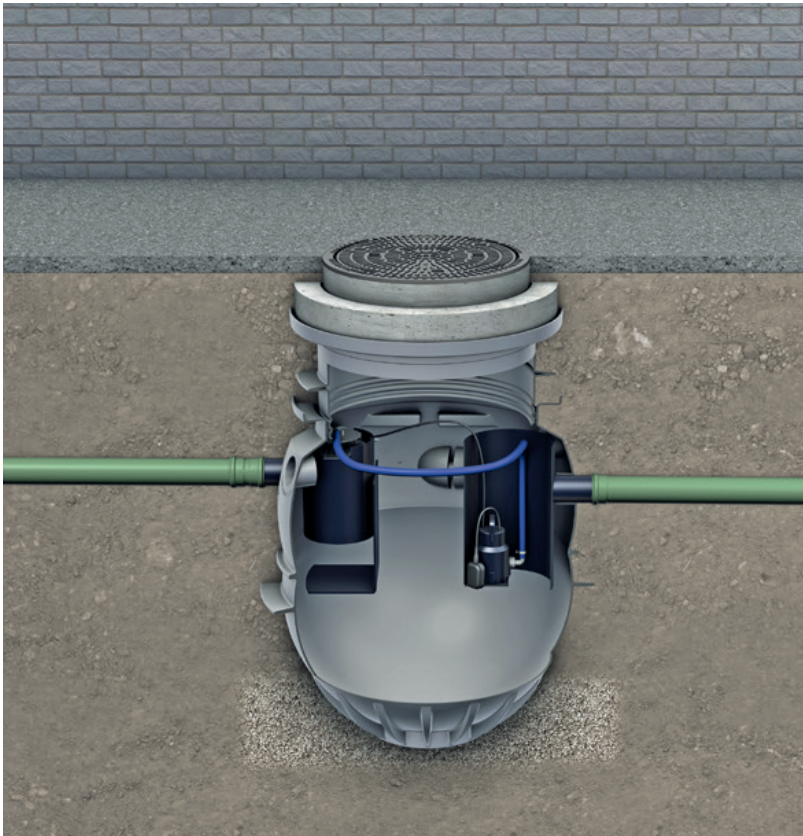
Top section load class D 400 – Order data



- load class D 400 according to EN 124
- frame from concrete, cover from cast iron
- clear opening Ø 600 mm
- cover odour proof sealed
- adapter plate from concrete Ø 1000 mm x 150 mm
- raising tube from polyethylene
- selectively with load distribution plate from concrete Ø 1500 mm x 200 mm

	NS 2 ST 200	NS 2 ST 400	NS 4 ST 400	NS 4 ST 800	NS 5.5 ST 550	NS 5.5 ST 1100	NS 7 ST 700	NS 8.5 ST 850	NS 10 ST 1000	Weight [kg]	Article No. [grey]	Article No. [white]
T [mm] without load distribu- tion plate	865-1985	865-1985	865-1985	865-1830	890-1855	890-1370	890-1640	890-1430	890-1160	330	3300.17.00	3300.27.00
T [mm] with load distribu- tion plate	865-1985	865-1985	865-1985	865-1830	890-1855	890-1370	890-1640	890-1430	890-1160	1030	3300.16.00	3300.26.00

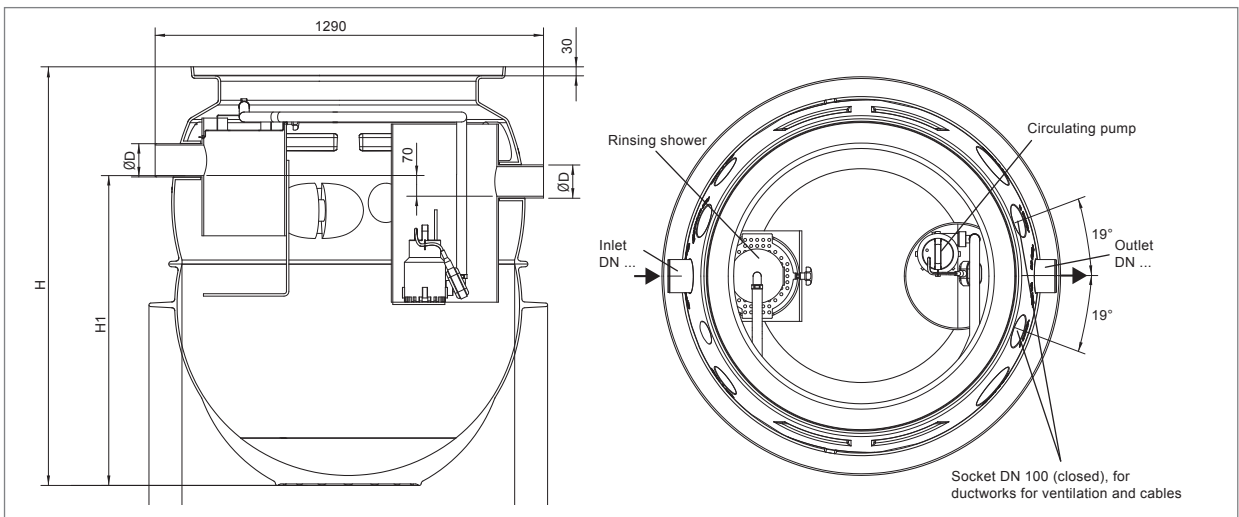
ACO Starch separator Fapumax P-B – Basic Model



Starch separator of polyethylene for below ground installation

- Inlet and outlet connection according to outside diameter D depending on nominal size of separator
 - Spray power head to rinse off the starch
 - Circular pump for operation of the spray shower
 - Control unit for operation of circular pump via potato peeling machine
 - Disposal and cleaning via cover
- Installation example shows ACO Fapumax P-B NS 1 with a top section for load class B 125

Fapumax P-B – Order data

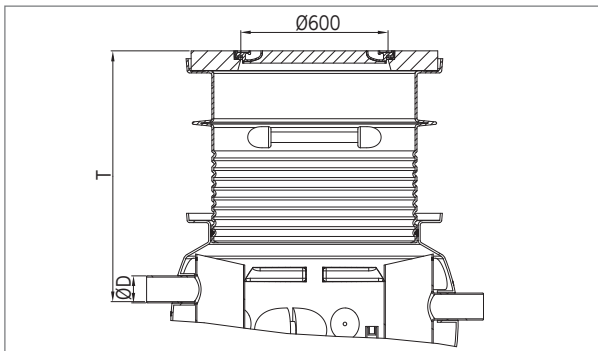


Accessories

- sampling pots and extension elements, page 20
- grease level sensor, page 21

Nominal size	Nominal width	Total capacity [l]	D [mm]	H [mm]	H1 [mm]	H2 [mm]	Weight [kg]	Article No.	Article No.
								[grey]	[black]
NS 1	DN 100	720	110	1375	1015	945	65	3301.80.00	3301.90.00
NS 2	DN 150	1465	160	2130	1745	1675	95	3302.80.10	3302.90.10
NS 3	DN 150	2170	160	2830	2445	2375	127	3303.80.00	3303.90.00

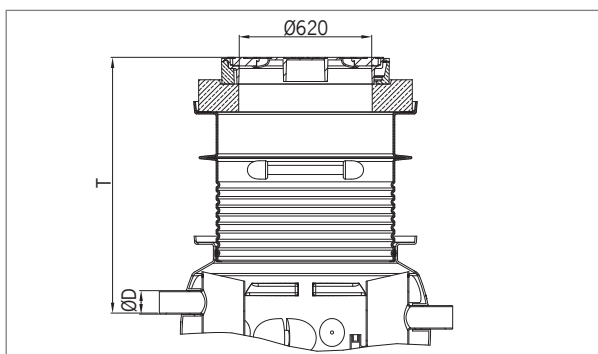
Top section load class A 15 – Order data



- load class A 15 according to EN 124
- frame from concrete, cover from cast iron
- clear opening \varnothing 600 mm
- cover odour proof sealed
- raising tube from polyethylene (only included with top section 3300.14.01 and 3300.14.02)

	NS 1	NS 2	NS 3	Weight [kg]	Article No. [grey]	Article No. [black]
T [mm]	420	420	445	145	3300.14.00	3300.14.00
	720-1020	720-1020	745-1045	170	3300.14.01	3300.21.01
	720-1985	720-1985	745-1160	193	3300.14.02	3300.24.02

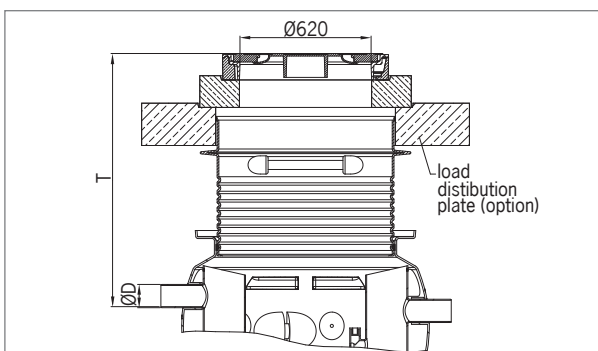
Top section load class B 125 – Order data



- load class B 125 according to EN 124
- frame from concrete, cover from cast iron
- clear opening \varnothing 600 mm
- cover odour proof sealed
- adapter plate from concrete \varnothing 1000 mm x 150 mm
- raising tube from polyethylene (only included with top section 3300.15.01 and 3300.15.02)

	NS 1	NS 3	NS 3	Weight [kg]	Article No. [grey]	Article No. [black]
T [mm]	585	585	610	282	3300.15.00	3300.15.00
	885-1195	885-1195	910-1220	307	3300.15.01	3300.25.01
	885-1985	885-1985	910-1160	330	3300.15.02	3300.25.02

Top section load class D 400 – Order data



- load class D 400 according to EN 124
- frame from concrete, cover from cast iron
- clear opening \varnothing 600 mm
- cover odour proof sealed
- adapter plate from concrete \varnothing 1000 mm x 150 mm
- raising tube from polyethylene
- selectively with load distribution plate from concrete \varnothing 1500 mm x 200 mm

	NS 1	NS 2	NS 3	Weight [kg]	Article No. [grey]	Article No. [black]
T [mm] without load distribution plate	865-1985	865-1985	890-1160	330	3300.17.00	3300.27.00
T [mm] with load distribution plate	865-1985	865-1985	890-1160	1030	3300.16.00	3300.26.00

ACO Starch separator Fapumax P-DA – Extension stage 3

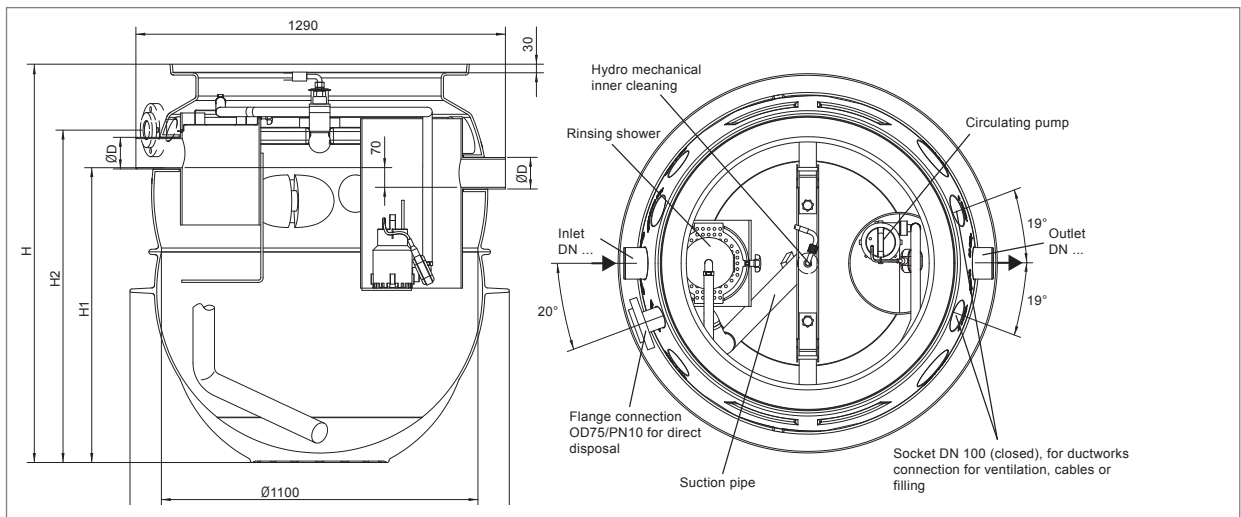


Starch separator of polyethylene for below ground installation

- Inlet and outlet connection according to outside diameter D depending on nominal size of separator
- Spray power head to rinse off the starch
- Circular pump for operation of the spray shower
- Control unit for operation of circular pump via potato peeling machine
- Disposal and cleaning via cover

Installation example shows ACO Fapumax P-DA NS 1 with a top section for load class B 125

Fapumax P-DA – Order data

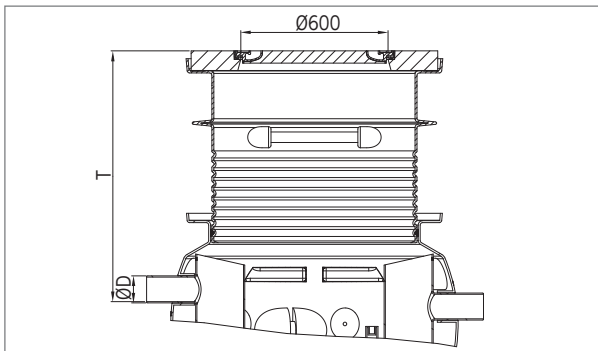


Accessories

- sampling pots and extension elements, page 20
- grease level sensor, page 21

Nominal size	Nominal width	Total capacity [l]	D [mm]	H [mm]	H1 [mm]	H2 [mm]	H3 [mm]	Weight [kg]	Article No. [grey]	Article No. [black]
NS 1	DN 100	720	110	1375	1015	945	1147	125	3301.83.00	3301.93.00
NS 2	DN 150	1465	160	2130	1745	1675	1899	155	3302.83.10	3302.93.10
NS 3	DN 150	2170	160	2830	2445	2375	2598	187	3303.83.00	3303.93.00

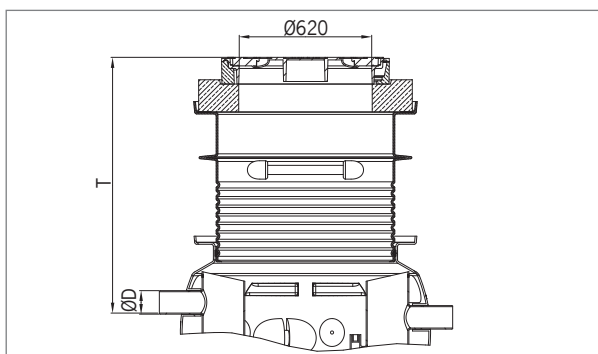
Top section load class A 15 – Order data



- load class A 15 according to EN 124
- frame from concrete, cover from cast iron
- clear opening Ø 600 mm
- cover odour proof sealed
- raising tube from polyethylene (only included with top section 3300.14.01 and 3300.14.02)

	NS 1	NS 2	NS 3	Weight [kg]	Article No. [grey]	Article No. [black]
T [mm]	420	420	445	145	3300.14.00	3300.14.00
	720-1020	720-1020	745-1045	170	3300.14.01	3300.21.01
	720-1985	720-1985	745-1160	193	3300.14.02	3300.24.02

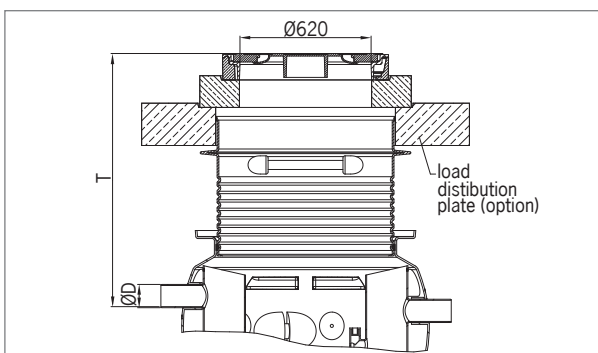
Top section load class B 125 – Order data



- load class B 125 according to EN 124
- frame from concrete, cover from cast iron
- clear opening Ø 600 mm
- cover odour proof sealed
- adapter plate from concrete Ø 1000 mm x 150 mm
- raising tube from polyethylene (only included with top section 3300.15.01 and 3300.15.02)

	NS 1	NS 3	NS 3	Weight [kg]	Article No. [grey]	Article No. [black]
T [mm]	585	585	610	282	3300.15.00	3300.15.00
	885-1195	885-1195	910-1220	307	3300.15.01	3300.25.01
	885-1985	885-1985	910-1160	330	3300.15.02	3300.25.02

Top section load class D 400 – Order data










- load class D 400 according to EN 124
- frame from concrete, cover from cast iron
- clear opening Ø 600 mm
- cover odour proof sealed
- adapter plate from concrete Ø 1000 mm x 150 mm
- raising tube from polyethylene
- selectively with load distribution plate from concrete Ø 1500 mm x 200 mm

	NS 1	NS 2	NS 3	Weight [kg]	Article No. [grey]	Article No. [black]
T [mm] without load distribution plate	865-1985	865-1985	890-1160	330	3300.17.00	3300.27.00
T [mm] with load distribution plate	865-1985	865-1985	890-1160	1030	3300.16.00	3300.26.00

Accessories for

for ACO Grease separators Lipumax P and ACO Starch separators Fapumax P

	Product description	Model	Article No.
	<p>Concrete supporting rings for increasing inlet invert with Lipumax P grease separators/ Fapumax P starch separators load class B or D between cover plate and extension</p>	<p>ARV 625 x 60 ARV 625 x 80 ARV 625 x 100</p>	<p>8700.20.00 8700.20.10 8700.20.20</p>
	<p>Sampling pot from polyethylene diameter 450 mm for below ground installations downstream grease separators/starch separators, with cast iron/concrete cover for load class D odour proof</p>	<p>DN 100, with 160 mm gradient DN 100, with 30 mm gradient DN 150, with 160 mm gradient DN 150, with 75 mm gradient</p>	<p>3300.13.10 3300.13.11 3300.13.20 3300.13.21</p>
	<p>Sampling shaft with load distribution plate</p>	<p>DN 100, with 160 mm gradient DN 100, with 30 mm gradient DN 150, with 160 mm gradient DN 150, with 75 mm gradient</p>	<p>3300.13.15 3300.13.16 3300.13.25 3300.13.26</p>
	<p>Extension element from polyethylene for install aforementioned sampling shaft at a deeper position, extension height 100 to 650 mm, can be shortened at 45 mm intervals by cutting at the cutting marks</p>		<p>3300.13.00</p>
	<p>Disposal shaft made from plastic, material polyethylene, with BEGU-Cover, clear opening: 450 mm, load class: D 400 inscription "Abscheiderentleerung/Separator Discharge", weight: 120 kg</p>		<p>3300.30.00</p>
	<p>Disposal shaft with load distribution plate protection against upwelling, made from plastic, material polyethylene, with BEGU-Cover, clear opening: 450 mm, load class: D 400, inscription "Abscheiderentleerung/Separator Discharge", weight: 520 kg</p>		<p>3300.30.01</p>
	<p>Extension Used with disposal shaft Made from plastic, material polyethylene For fitting on upstream sampling shaft for deep installations Structure height: 100 – 650 mm (can be reduced to 45 mm by cutting off at cutting marks), weight: 12 kg</p>		<p>3301.31.00</p>

	Product description	Model	Article No.
	<p>Grease level sensor measuring device for grease layer thickness for grease separators for below ground installation. Suitable for liquid and hardening fats. Device with two dry contacts for report of filling status 50% and 80% to Building Monitoring System. With heated sensor head for save operation</p> <p>electrical connection: 230 V AC/50 Hz/12 W</p>	<p>cable length: 10 m cable length: 20 m cable length: 30 m</p>	<p>3300.11.70 3300.11.71 3300.11.72</p>
	<p>Sampling equipment for grease separators/light liquid separators/starch separators for below ground installation. Sampling equipment consisting of manual pump and suction coupling, connecting hose and suction coupling and bolt connection</p> <p>Suitable for inlet invert maximum T = 3,000 mm</p>		<p>8800.00.10</p>
	<p>Sealing ring for ventilation connection</p>		<p>0150.34.32</p>
	<p>High-pressure hose for connection between high-pressure pump (installed inside a building) and spray head of grease separator/starch separator</p>	<p>length: 10 m length: 20 m length: 30 m</p>	<p>0150.33.62 0150.33.63 0150.33.64</p>
	<p>Connection box from stainless steel, material grade 316, for wall-mounted installation of disposal connection DN 65, W x H x D = 370 x 330 x 250 mm</p> <p>Suitable for grease separators Lipumax P-DA and starch separators Fapumax P-DA</p>		<p>7601.80.20</p>
	<p>Flush-mounted frame from stainless steel, material grade 304, W x H x D = 421 x 381 x 25 mm</p> <p>Suitable for connection box 7601.80.20</p>		<p>7601.80.21</p>
	<p>Street cap frame and cover from cast iron for installation of disposal connection of grease separators Lipumax P-D/-DM/-DA and starch separators Fapumax P-DA</p>		<p>5354.00.00</p>

ACO Light liquid separator Oleopator P – Class I

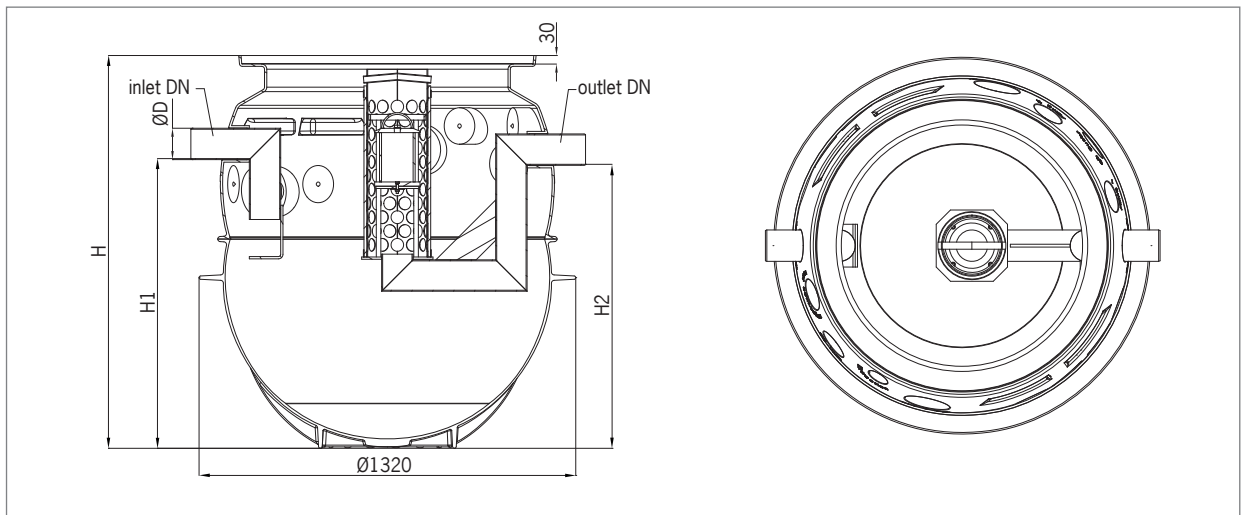


Light liquid separator of polyethylene for below ground installation

- according to EN 858
- certificate
 - 7310434-01 (NS 3)
 - 7310434-02 (NS 6)
 - 7310434-03 (NS 8)
 - 7310434-03 (NS 10)
- inlet and outlet connection according to outside diameter D depending on nominal size of separator
- inlet and outlet parts of polyethylene
- with integrated removable coalescing filter
- automatic closure device with float switch, density of float switch: 0.9 g/cm³

Installation example shows ACO Oleopator P NS 3 with a top section unit for load class B 125

Oleopator P – Order data

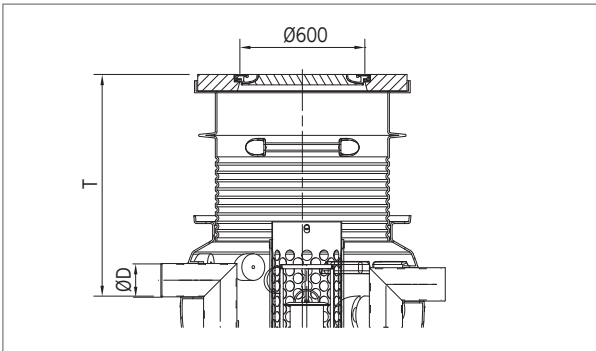


Accessories

- sampling pots and extension elements, page 28
- alarm device, page 29

Nominal size	Nominal width	Volume sludge trap [l]	Volume oil storage [l]	Total capacity [l]	D [mm]	H [mm]	H1 [mm]	H2 [mm]	Weight [kg]	Article No.	
										[grey]	[white]
NS 3	DN 100	450	240	775	110	1377	1020	1000	67	3903.80.00	3903.90.00
NS 3	DN 100	670	240	995	110	1594	1230	1210	83	3913.80.00	3913.90.00
NS 3	DN 100	950	240	1280	110	1865	1500	1480	84	3923.80.00	3923.90.00
NS 6	DN 150	660	235	970	160	1594	1210	1190	91	3906.80.00	3906.90.00
NS 6	DN 150	1210	235	1525	160	2129	1740	1720	101	3916.80.00	3916.90.00
NS 8	DN 150	820	260	1250	160	1865	1480	1460	94	3908.80.00	3908.90.00
NS 10	DN 150	1080	260	1615	160	2129	1740	1720	105	3910.80.00	3910.90.00

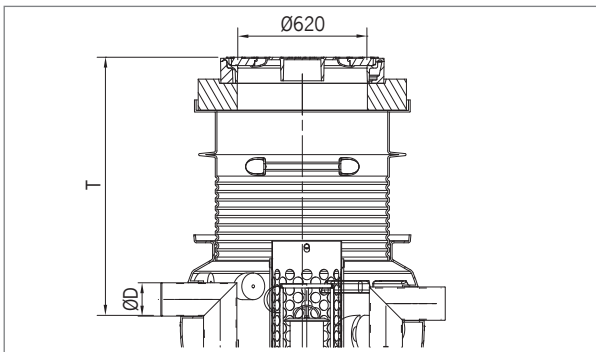
Top section load class A 15 – Order data



- load class A 15 according to EN 124
- frame from concrete, cover from cast iron
- clear opening Ø 600 mm
- cover loosely applied
- raising tube from polyethylene (only included with top section 3301.14.01 and 3301.14.02)

	NS 3 ST 300	NS 3 ST 600	NS 3 ST 900	NS 6 ST 600	NS 6 ST 1200	NS 8 ST 800	NS 10 ST 1000	Weight [kg]	Article No. [grey]	Article No. [white]
T [mm]	420	420	420	440	440	440	440	145	3301.14.00	3301.14.00
	730-1030	730-1030	730-1030	750-1050	750-1050	750-1050	750-1050	170	3301.14.01	3301.24.01
	730-1990	730-1780	730-1510	750-1800	750-1870	750-1530	750-1870	193	3301.14.02	3301.24.02

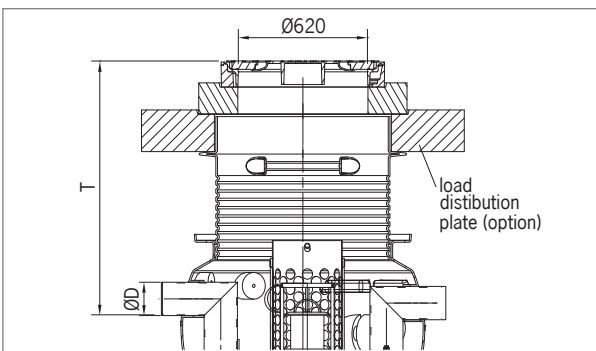
Top section load class B 125 – Order data



- load class B 125 according to EN 124
- frame from concrete, cover from cast iron
- clear opening Ø 600 mm
- cover loosely applied
- adapter plate from concrete Ø 1000 mm x 150 mm
- raising tube from polyethylene (only included with top section 3301.15.01 and 3301.15.02)

	NS 3 ST 300	NS 3 ST 600	NS 3 ST 900	NS 6 ST 600	NS 6 ST 1200	NS 8 ST 800	NS 10 ST 1000	Weight [kg]	Article No. [grey]	Article No. [white]
T [mm]	585	585	585	605	605	605	605	237	3301.15.00	3301.15.00
	885-1185	885-1185	885-1185	905-1205	905-1205	905-1220	905-1205	262	3301.15.01	3301.25.01
	885-1980	885-1770	885-1500	905-1790	905-1860	905-1530	905-1860	285	3301.15.02	3301.25.02

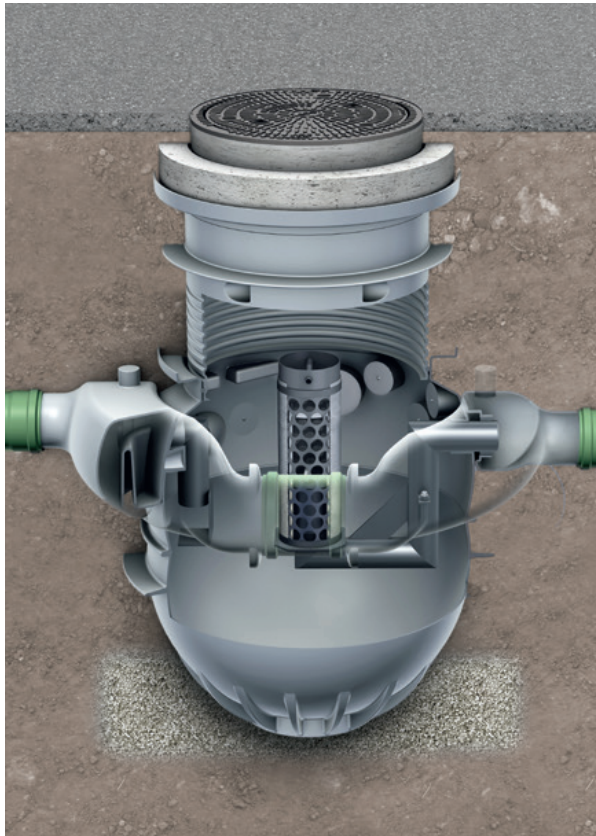
Top section load class D 400 – Order data



- load class D 400 according to EN 124
- frame from concrete, cover from cast iron
- clear opening Ø 600 mm
- cover loosely applied
- adapter plate from concrete Ø 1000 mm x 150 mm
- raising tube from polyethylene
- selectively with load distribution plate from concrete Ø 1500 mm x 200 mm

	NS 3 ST 300	NS 3 ST 600	NS 3 ST 900	NS 6 ST 600	NS 6 ST 1200	NS 8 ST 800	NS 10 ST 1000	Weight [kg]	Article No. [grey]	Article No. [white]
T [mm] without load distribu- tion plate	865-1980	865-1770	865-1500	885-1790	885-1860	885-1530	885-1860	285	3301.17.00	3301.27.00
T [mm] with load distribu- tion plate	865-1980	865-1770	865-1500	885-1790	885-1860	885-1530	885-1860	985	3301.16.00	3301.26.00

ACO Light liquid separator Oleopass P – Class I with bypass

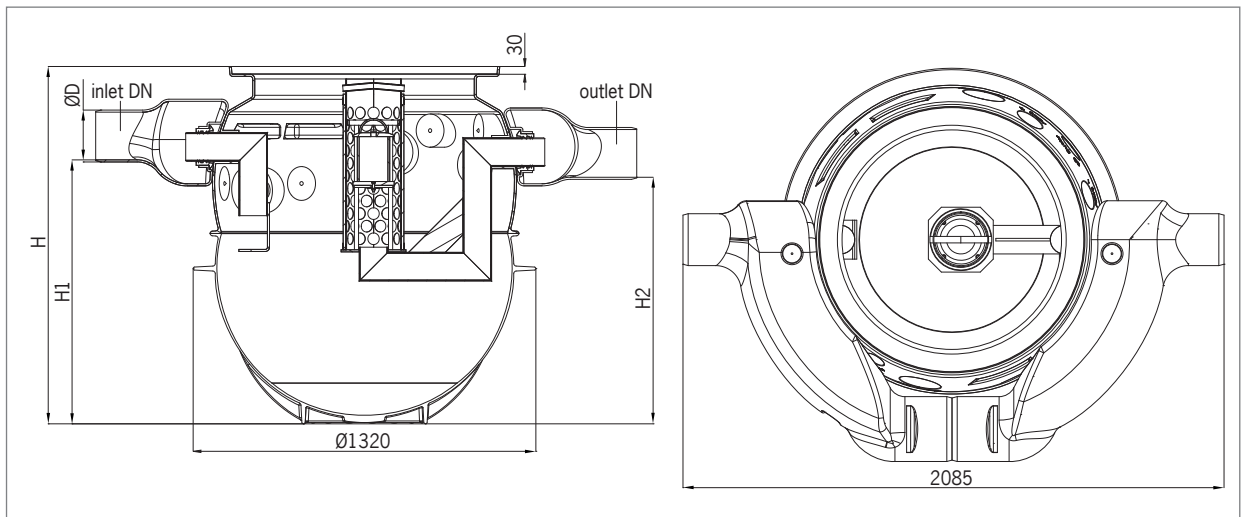


Light liquid separator of polyethylene for below ground installation

- according to EN 858
- certificate
- 7310434-01 (NS 3)
- 7310434-02 (NS 6)
- 7310434-03 (NS 8)
- 7310434-03 (NS 10)
- inlet and outlet connection according to outside diameter D depending on nominal size of separator
- inlet and outlet parts of polyethylene
- with integrated removable coalescing filter
- automatic closure device with float switch, density of float switch: 0.9 g/cm³
- with bypass of polyethylene

Installation example shows ACO Oleopass P NS 3 with a top section unit for load class B 125

Oleopass P – Order data

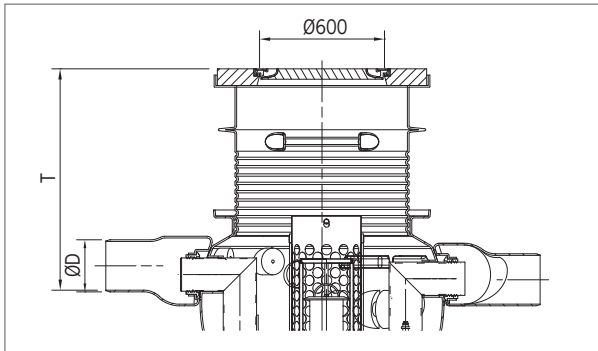


Accessories

- sampling pots and extension elements, page 28
- alarm device, page 29

Nominal size	Nominal width	Total flow rate [l/s]	Volume sludge trap [l]	Volume oil storage [l]	Total capacity [l]	D	H	H1	H2	Weight [kg]	Article No.	Article No.
						[mm]	[mm]	[mm]	[mm]		[grey]	[white]
NS 3	DN 200	15	450	240	775	200	1377	1020	950	90	3903.81.00	3903.91.00
NS 3	DN 200	15	670	240	995	200	1594	1230	1160	106	3913.81.00	3913.91.00
NS 3	DN 200	15	950	240	1280	200	1865	1500	1430	107	3923.81.00	3923.91.00
NS 6	DN 250	30	660	235	970	250	1594	1210	1140	114	3906.81.00	3906.91.00
NS 6	DN 250	30	1210	235	1525	250	2129	1740	1670	124	3916.81.00	3916.91.00
NS 8	DN 250	50	820	260	1250	250	1865	1470	1400	104	3908.81.00	3908.91.00
NS 10	DN 250	50	1080	260	1615	250	2129	1740	1670	130	3910.81.00	3910.91.00

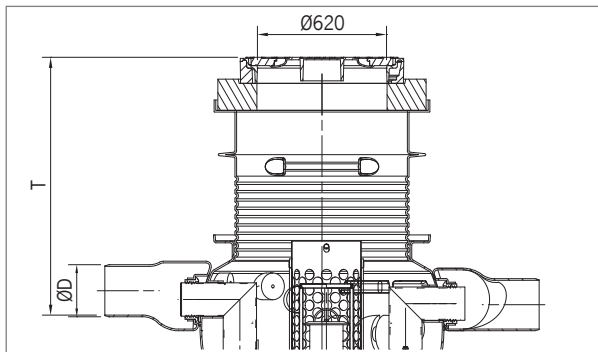
Top section load class A 15 – Order data



- load class A 15 according to EN 124
- frame from concrete, cover from cast iron
- clear opening Ø 600 mm
- cover loosely applied
- raising tube from polyethylene (only included with top section 3301.14.01 and 3301.14.02)

	NS 3 ST 300	NS 3 ST 600	NS 3 ST 900	NS 6 ST 600	NS 6 ST 1200	NS 8 ST 800	NS 10 ST 1000	Weight [kg]	Article No. [grey]	Article No. [white]
T	420	420	420	440	440	440	440	145	3301.14.00	3301.14.00
[mm]	730-1030	730-1030	730-1030	750-1050	750-1050	750-1050	750-1050	170	3301.14.01	3301.24.01
	730-1990	730-1780	730-1510	750-1800	750-1870	750-1530	750-1870	193	3301.14.02	3301.24.02

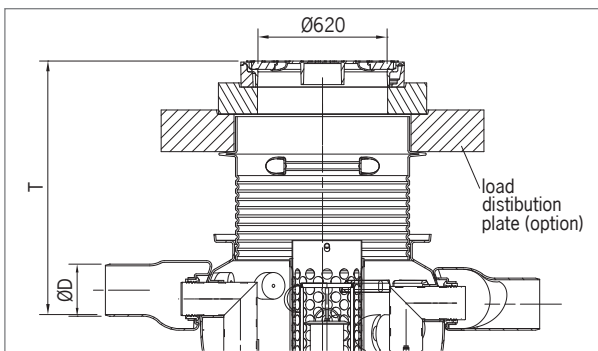
Top section load class B 125 – Order data



- load class B 125 according to EN 124
- frame from concrete, cover from cast iron
- clear opening Ø 600 mm
- cover loosely applied
- adapter plate from concrete Ø 1000 mm x 150 mm
- raising tube from polyethylene (only included with top section 3301.15.01 and 3301.15.02)

	NS 3 ST 300	NS 3 ST 600	NS 3 ST 900	NS 6 ST 600	NS 6 ST 1200	NS 8 ST 800	NS 10 ST 1000	Weight [kg]	Article No. [grey]	Article No. [white]
T	585	585	585	605	605	605	605	237	3301.15.00	3301.15.00
[mm]	885-1185	885-1185	885-1185	905-1205	905-1205	905-1220	905-1205	262	3301.15.01	3301.25.01
	885-1980	885-1770	885-1500	905-1790	905-1860	905-1530	905-1860	285	3301.15.02	3301.25.02

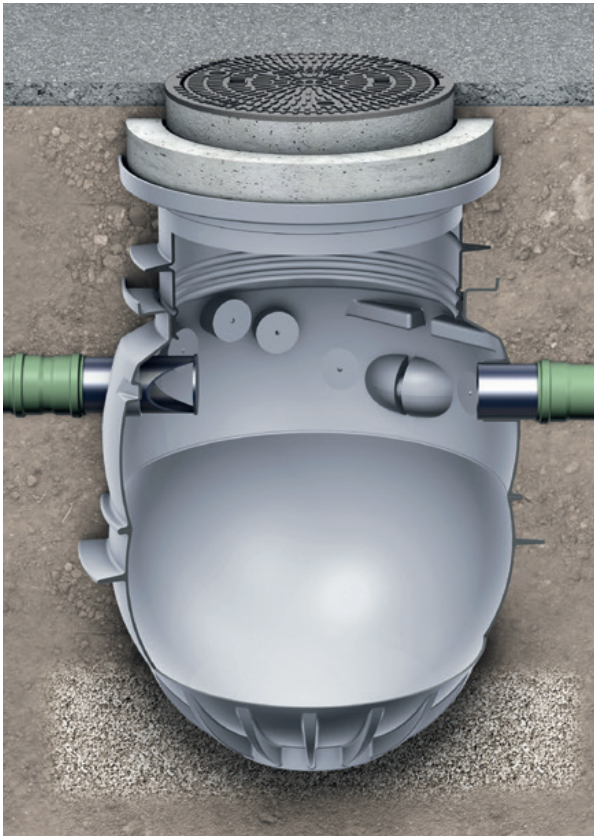
Top section load class D 400 – Order data



- load class D 400 according to EN 124
- frame from concrete, cover from cast iron
- clear opening Ø 600 mm
- cover loosely applied
- adapter plate from concrete Ø 1000 mm x 150 mm
- raising tube from polyethylene
- selectively with load distribution plate from concrete Ø 1500 mm x 200 mm

	NS 3 ST 300	NS 3 ST 600	NS 3 ST 900	NS 6 ST 600	NS 6 ST 1200	NS 8 ST 800	NS 10 ST 1000	Weight [kg]	Article No. [grey]	Article No. [white]
T [mm] without load distribution plate	865-1980	865-1770	865-1500	885-1790	885-1860	885-1530	885-1860	285	3301.17.00	3301.27.00
T [mm] with load distribution plate	865-1980	865-1770	865-1500	885-1790	885-1860	885-1530	885-1860	985	3301.16.00	3301.26.00

ACO Sludge Trap P

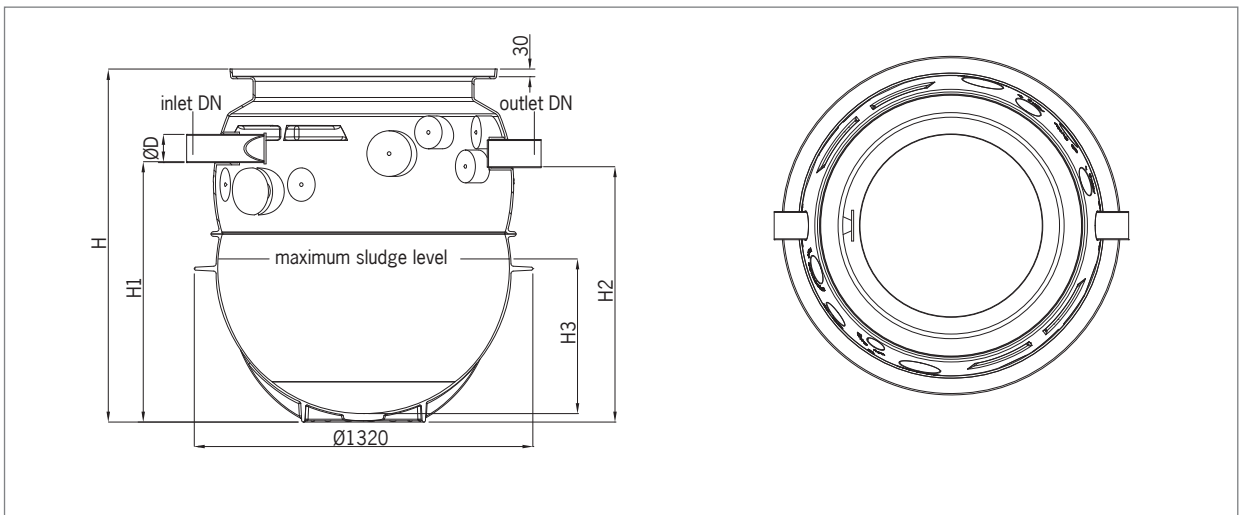


Sludge trap of polyethylene for below ground installation

- inlet and outlet connection according to outside diameter D depending on nominal size of separator
- inlet and outlet parts of polyethylene
- different volumes/capacities available

Installation example shows ACO Sludge Trap P 750 with a top section unit for load class B 125

Sludge Trap P – Order data

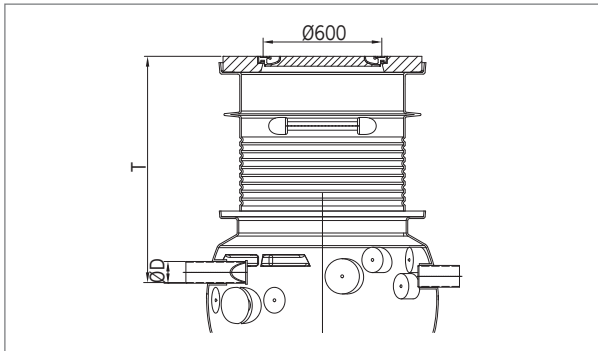


Accessories

- extension elements, page 28
- alarm device, page 29

Type	Nominal width	Total capacity [l]	D [mm]	H [mm]	H1 [mm]	H2 [mm]	H3 [mm]	Weight [kg]	Article No.	
									[grey]	[white]
P 750	DN 150	750	160	1377	990	970	540	59	3900.00.01	3900.10.01
P 750	DN 100	780	110	1377	1020	1000	560	59	3900.00.11	3900.10.11
P 1000	DN 150	975	160	1594	1210	1190	680	75	3900.00.02	3900.10.02
P 1000	DN 100	1000	110	1594	1230	1210	700	74	3900.00.12	3900.10.12
P 1250	DN 150	1255	160	1865	1480	1460	830	75	3900.00.03	3900.10.03
P 1250	DN 100	1280	110	1865	1500	1480	850	74	3900.00.13	3900.10.13
P 1500	DN 150	1530	160	2129	1740	1720	930	85	3900.00.04	3900.10.04
P 1500	DN 100	1550	110	2129	1770	1750	950	84	3900.00.14	3900.10.14

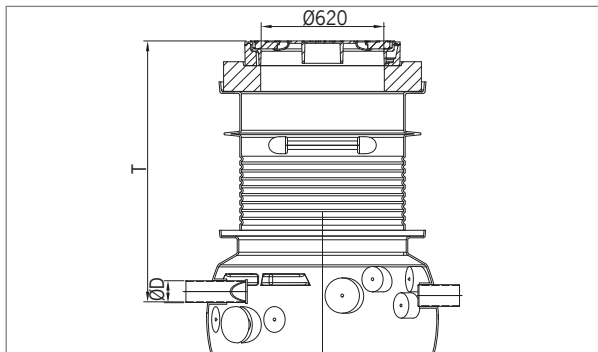
Sludge Trap P top section load class A 15 – Order data



- load class A 15 according to EN 124
- frame from concrete, cover from cast iron
- clear opening Ø 600 mm
- cover loosely applied
- raising tube from polyethylene (only included with top section 3301.14.01 and 3301.14.02)

	NS 2 ST 200	NS 2 ST 400	NS 4 ST 400	NS 4 ST 800	NS 5.5 ST 550	NS 5.5 ST 1100	NS 7 ST 700	NS 8.5 ST 850	NS 10 ST 1000	Weight [kg]	Article No. [grey]	Article No. [white]
T [mm]	420	420	420	420	445	445	445	445	445	145	3301.14.00	3301.14.00
	720-1020	720-1985	720-1020	720-1020	745-1045	745-1045	745-1045	745-1045	745-1045	170	3301.14.01	3301.24.01
	720-1985	720-1985	720-1985	720-1830	745-1855	745-1370	745-1640	745-1430	745-1160	193	3301.14.02	3301.24.02

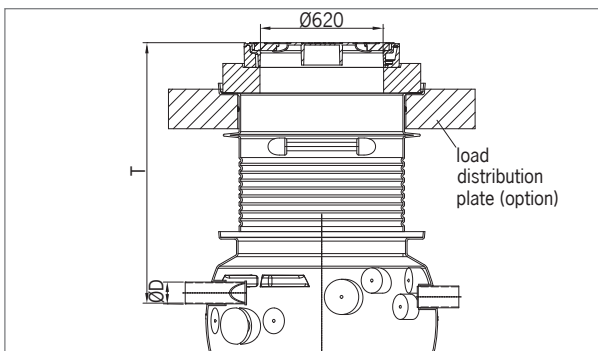
Sludge Trap P top section load class B 125 – Order data



- load class B 125 according to EN 124
- frame from concrete, cover from cast iron
- clear opening Ø 600 mm
- cover loosely applied
- adapter plate from concrete Ø 1000 mm x 150 mm
- raising tube from polyethylene (only included with top section 3301.15.01 and 3301.15.02)

	NS 2 ST 200	NS 2 ST 400	NS 4 ST 400	NS 4 ST 800	NS 5.5 ST 550	NS 5.5 ST 1100	NS 7 ST 700	NS 8.5 ST 850	NS 10 ST 1000	Weight [kg]	Article No. [grey]	Article No. [white]
T [mm]	585	585	585	585	610	610	610	610	610	282	3301.15.00	3301.15.00
	885-1195	885-1195	885-1195	885-1195	910-1220	910-1220	910-1220	910-1220	910-1220	307	3301.15.01	3301.25.01
	885-1985	885-1985	885-1985	885-1830	910-1855	910-1370	910-1640	910-1430	910-1160	330	3301.15.02	3301.25.02

Sludge Trap P top section load class D 400 – Order data






- load class D 400 according to EN 124
- frame from concrete, cover from cast iron
- clear opening Ø 600 mm
- cover loosely applied
- adapter plate from concrete Ø 1000 mm x 150 mm
- raising tube from polyethylene
- selectively with load distribution plate from concrete Ø 1500 mm x 200 mm

	NS 2 ST 200	NS 2 ST 400	NS 4 ST 400	NS 4 ST 800	NS 5.5 ST 550	NS 5.5 ST 1100	NS 7 ST 700	NS 8.5 ST 850	NS 10 ST 1000	Weight [kg]	Article No. [grey]	Article No. [white]
T [mm] without load distribution plate	865-1985	865-1985	865-1985	865-1830	890-1855	890-1370	890-1640	890-1430	890-1160	330	3301.17.00	3301.27.00
T [mm] with load distribution plate	865-1985	865-1985	865-1985	865-1830	890-1855	890-1370	890-1640	890-1430	890-1160	1030	3301.16.00	3301.26.00

Accessories for

ACO Light liquid separators Oleopator P/Oleopass P and Sludge Trap P

	Product description	Model	Article No.
	Concrete supporting rings for increasing inlet invert with Lipumax P grease separators/ Fapumax P starch separators load class B or D between cover plate and extension	ARV 625 x 60 ARV 625 x 80 ARV 625 x 100	8700.20.00 8700.20.10 8700.20.20
	Sampling pot from polyethylene diameter 450 mm for below ground installations down- stream grease separators/starch separators, with cast iron/concrete cover for load class D odour proof	DN 100, with 160 mm gradient DN 100, with 30 mm gradient DN 150, with 160 mm gradient DN 150, with 75 mm gradient	3300.13.10 3300.13.11 3300.13.20 3300.13.21
	Sampling shaft with load distribution plate	DN 100, with 160 mm gradient DN 100, with 30 mm gradient DN 150, with 160 mm gradient DN 150, with 75 mm gradient	3300.13.15 3300.13.16 3300.13.25 3300.13.26
	Extension element from polyethylene for install aforementioned sampling shaft at a deeper position, extension height 100 to 650 mm, can be shortened at 45 mm intervals by cutting at the cutting marks		3300.13.00
	Disposal shaft made from plastic, material polyethylene, with BEGU-Cover, clear opening: 450 mm, load class: D 400 inscription "Abscheiderentleerung/Sep- arator Discharge", weight: 120 kg		3300.30.00
	Disposal shaft with load distribution plate protection against upwelling, made from plastic, material polyethylene, with BEGU-Cover, clear opening: 450 mm, load class: D 400, inscription "Abscheiderentleerung/Sep- arator Discharge", weight: 520 kg		3300.30.01
	Extension Used with disposal shaft Made from plastic, material polyethylene For fitting on upstream sampling shaft for deep installations Structure height: 100 – 650 mm (can be reduced to 45 mm by cutting off at cutting marks), weight: 12 kg		3301.31.00

	Product description	Model	Article No.
	Sampling equipment for grease separators/light liquid separators for below ground installation		8800.00.10
	Alarm device for light liquid separators, enables combined or separated control of oil, sludge and liquid level electrical connection: 230 V/50–60 Hz, IP 67, cable connection: 5 m	oil, sludge and liquid level control oil and liquid level control oil control liquid level control sludge control cable extensions: 3 cables, 1 m 2 cables, 1 m 1 cable, 1 m	6751.65.00 6751.65.01 6751.65.02 6751.65.03 6751.65.04 6752.00.00 6752.00.01 6752.00.02
	Sealing ring for ventilation connection		0150.34.32

Planning and dimensioning separators – profit from ACO expertise

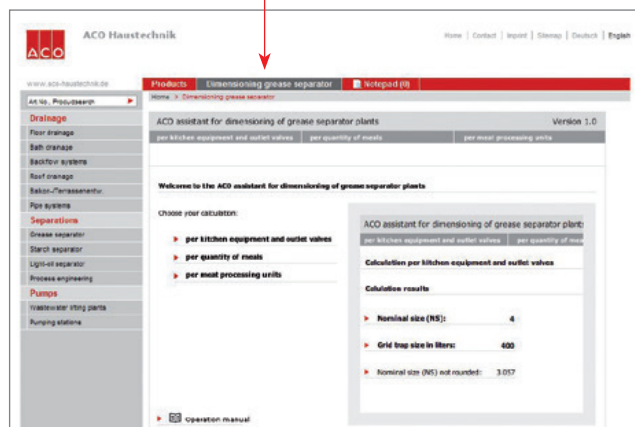
Dimensioning grease separators via the internet

Calculate nominal sizes of grease separators you require for your application on www.aco-haustechnik.de/catalogue. Dimensioning is carried out pursuant to DIN EN 1825-2 regulations. Three dimensioning variants are possible:

- kitchen appliances
- food portions
- slaughter units

After selecting the calculation method, input the requested data into the masks for further processing in compliance with the latest DIN EN 1825 regulations. The calculation sheet can then be printed out and filled in with project data, or there is a direct link to the selection assistant for product selection.

Dimensioning grease separators



Online catalogue

Easy download of scale drawings and article descriptions with the Online catalogue on our website. Product selection made easy with the relevant selection criteria.

- selection assistant
- easy keyword and article searches
- article descriptions (TXT, Datanorm and GAEB)
- scale drawings (DXF)
- product visuals Installation and assembly instructions

www.aco-haustechnik.de/catalogue



Notes

A large, empty grid of small squares, intended for taking notes. The grid covers most of the page area below the 'Notes' header.

Notes

