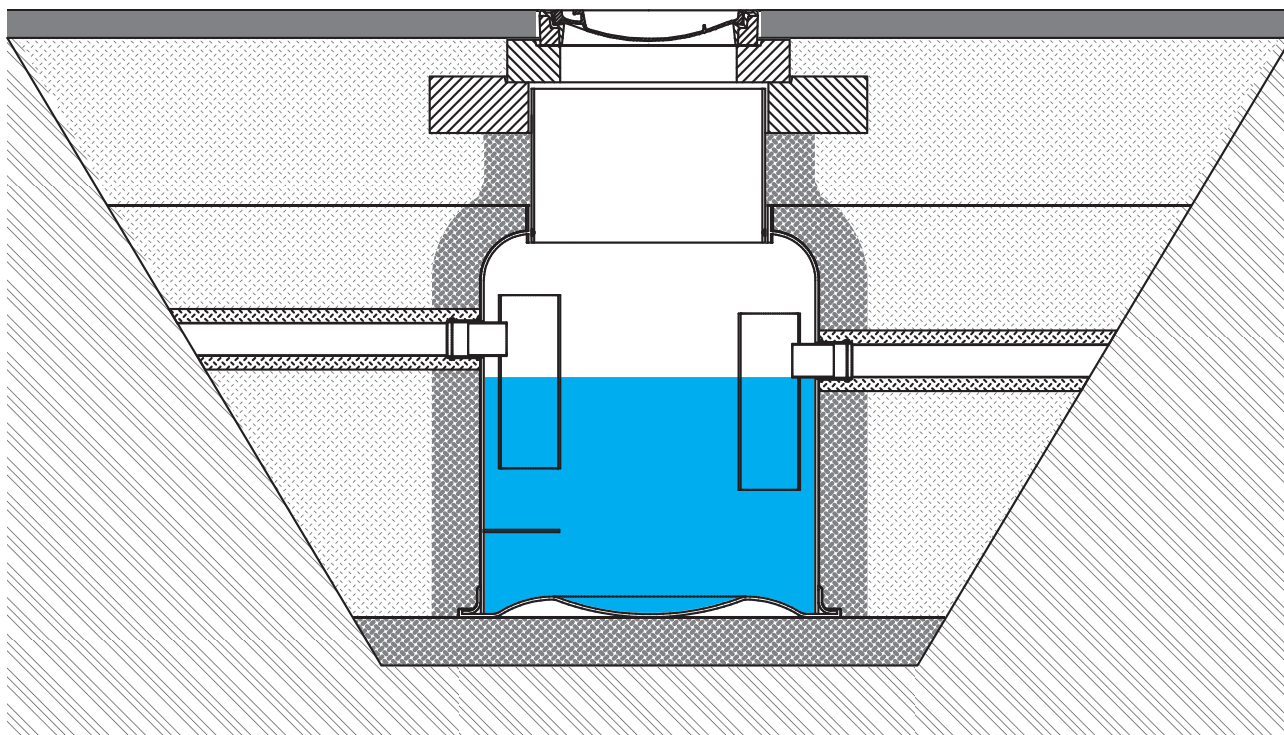


Installation manual

ACO Lipumax G



CONTENT



CONTENT	2
STRUCTURE AND COMPONENTS	3
INSTALLATION IN GENERAL	4
Application	
Proper use includes	
Staff	
Journal	
Technical Amendments	
Product Description	
Function	
Flexible application	
STRUCTURE - D 400	5
DIMENSIONS - D 400	5
LEGEND	6
TANK INSTALLATION	6
TOP SECTION INSTALLATION	9
ADJUSTABLE CONCRETE RING	13
NOTES	15

Note:

Read this manual before installing the Lipumax G. This manual is for the ACO prefabricated grease separator Lipumax G.

This manual should be used when installing the Lipumax G. This manual should be kept available at the workplace / installation site. Installation of the Lipumax G must be performed by qualified installers.

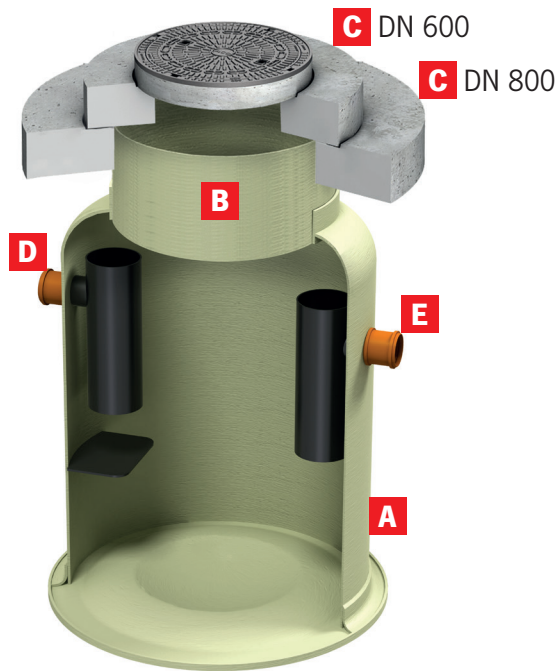
Provisions under applicable laws should be followed in order to prevent accidents and protect the environment.

Terms and Conditions:

Any change or alteration made to the Lipumax G by the consumer without ACO's specific approval will void all warranty obligations.



STRUCTURES AND COMPONENTS

**ACO Lipumax G
D 400**

- A Grease Separator (bottom part)
- B Extension shaft
- C ACO Cover D 400 and concrete ring
- D Inlet
- E Outlet

INSTALLATION IN GENERAL

Application

The grease separator LIPUMAX G is designed for the treatment of wastewater that contains grease such as can be found in food industries, caterers, restaurants, snack bars, bakeries, etc.

Use of this grease separator for any other purposes is prohibited. The manufacturer is not liable for any damages caused by misuse. Responsibility falls entirely upon the operator.

Terms and Conditions:

- Compliance with national laws and regulations;
- Compliance with all inspection and service instructions;
- Adhere to the manufacturer's installation, operation and maintenance instructions.

Staff

Personnel who perform the installation, operation, maintenance and servicing of this grease separator must possess the training needed to do these tasks and must understand the contents of this manual.

Journal

A record shall be established and include the following:

- Checks carried out by operational staff;
- Service and test reports;
- Any breakdowns and repairs.

Technical Amendments

ACO reserves the right to make ongoing technical modifications which may result in differences between published text and/or images, and the product.

Product Description

The grease separator Lipumax G is designed for installation in the ground. The Lipumax G comes with an integrated sludge trap, inlet and outlet connections, an extension neck made of PE HD.

Function

The Lipumax G grease separator works on the gravimetric principle. Sludge and heavier particles sink to the bottom, while grease which is lighter than water rises to the surface. Treated water flows out.

Flexible application

(according to EN 124)

▪ Load class

D 400

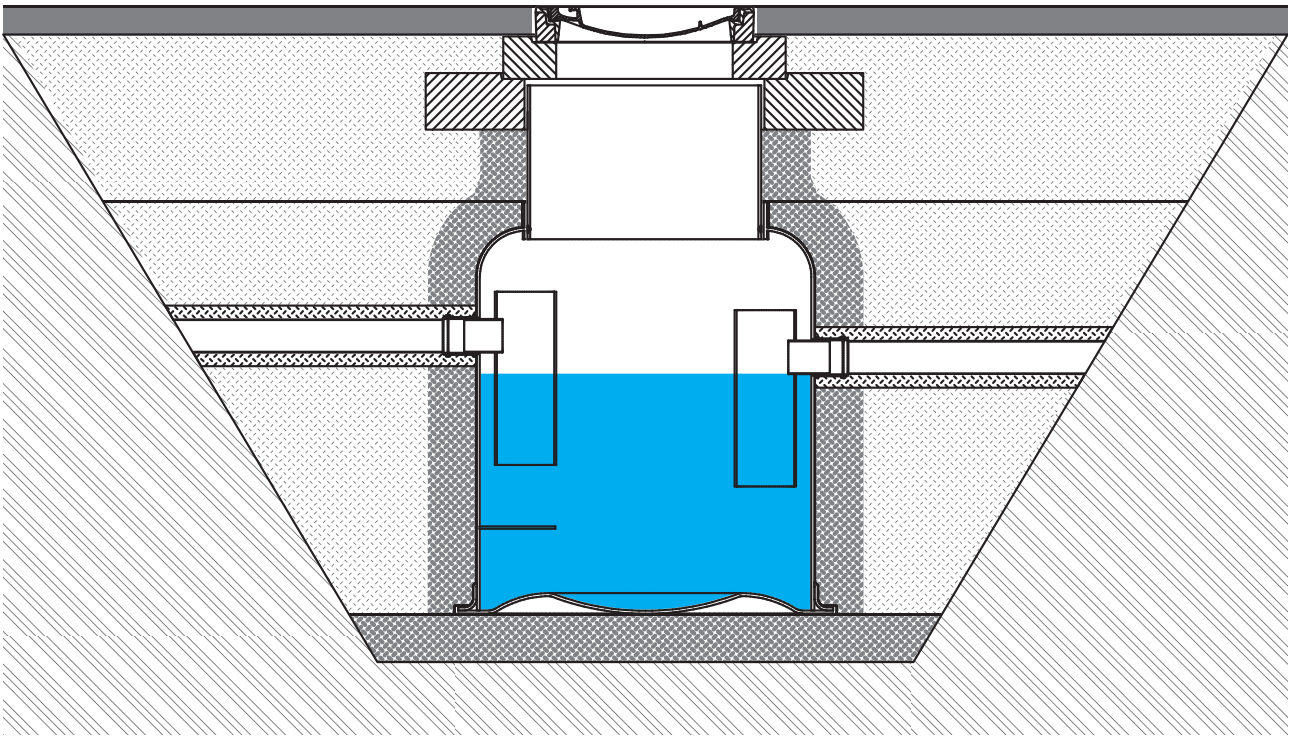
Carriageways of roads and areas open to commercial vehicles

Load class

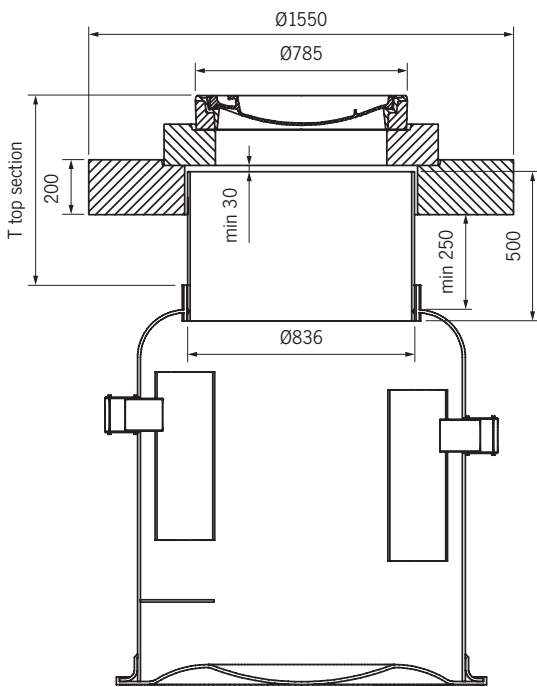


D 400

STRUCTURE - D 400












DIMENSIONS - D 400



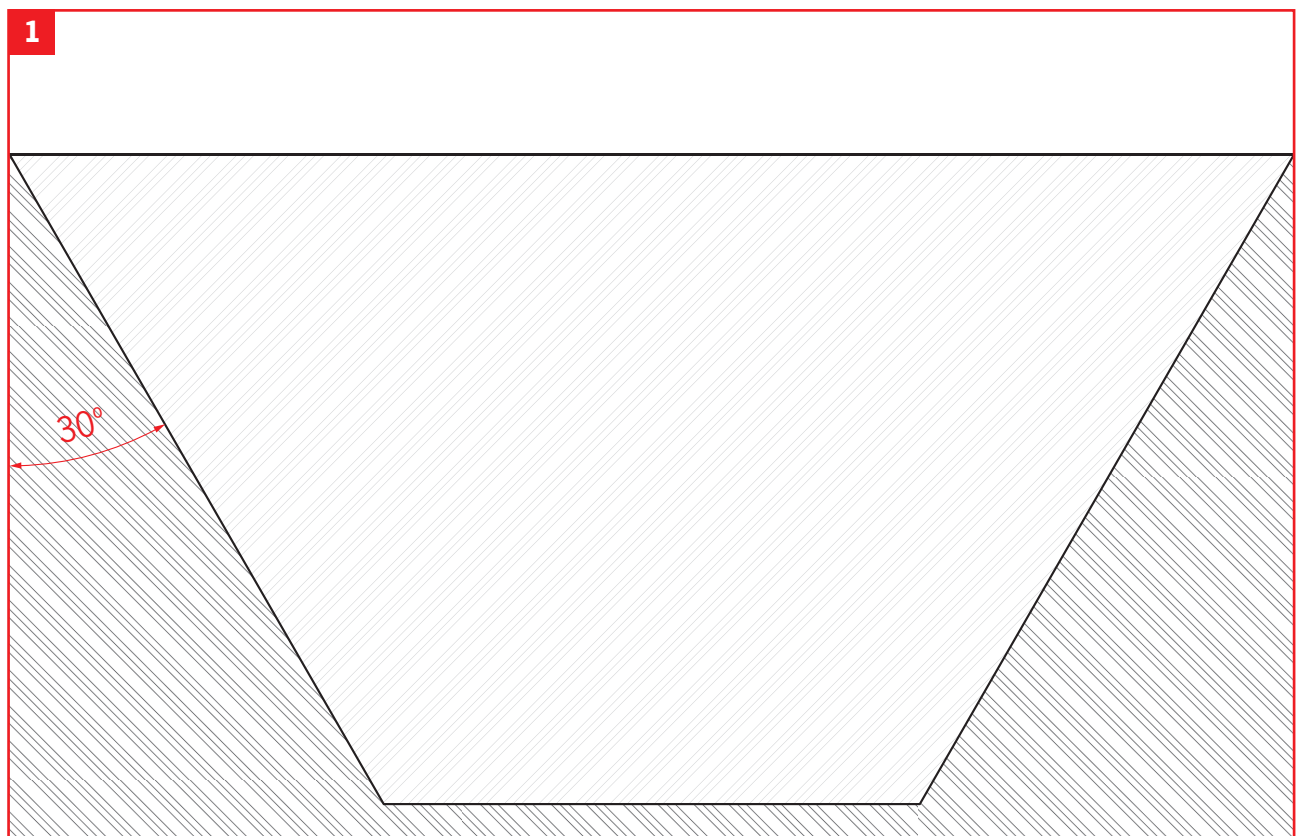
SIZE	D 400 - T top section
Short	735

LEGEND

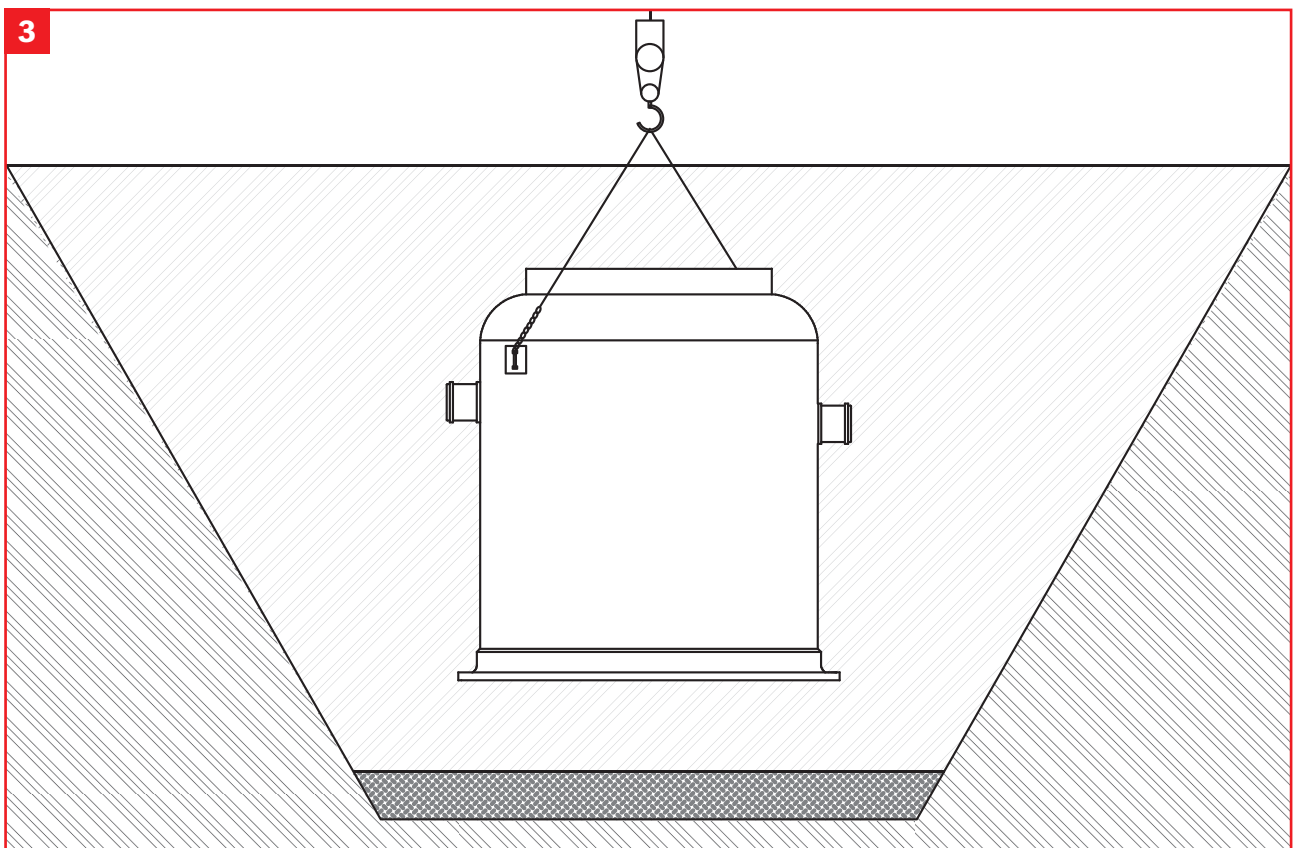
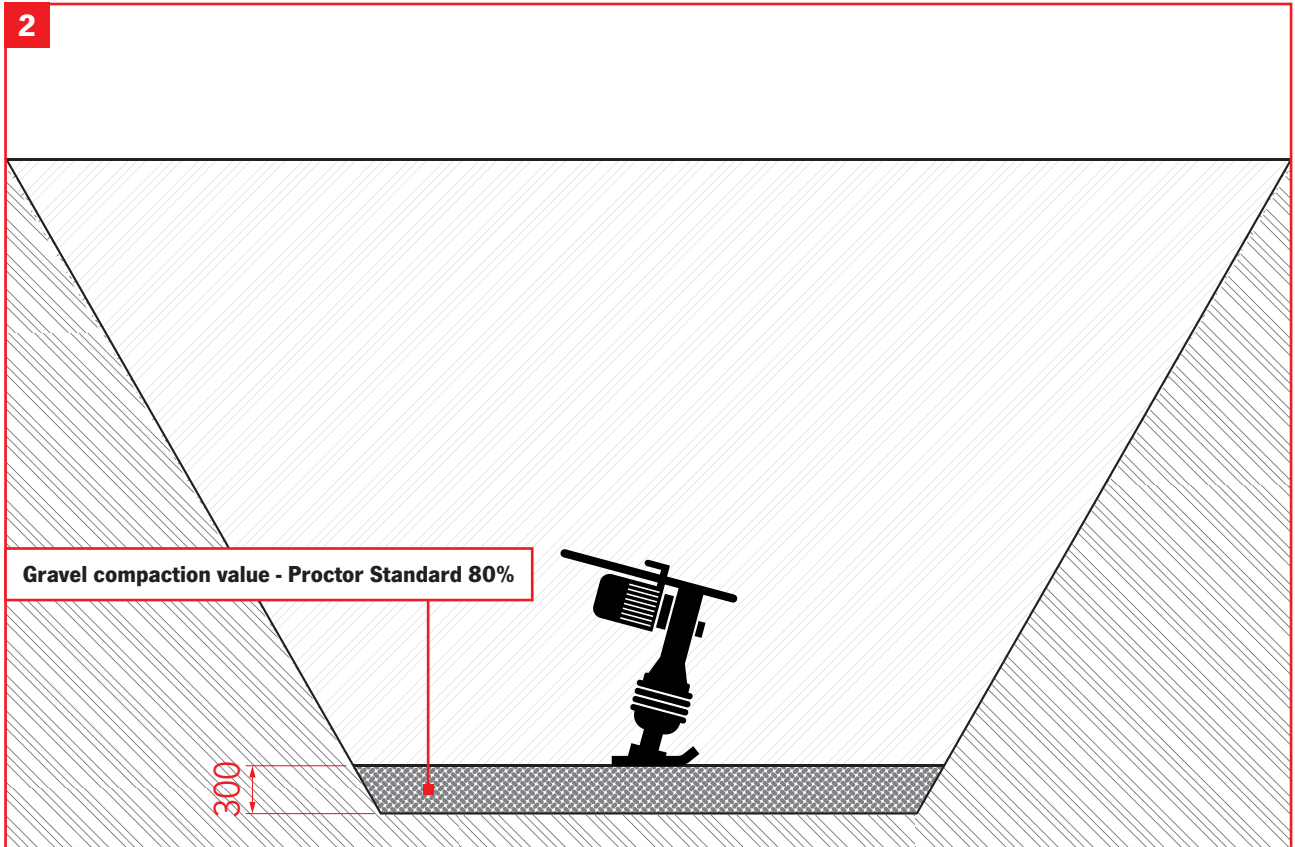
LEGEND - LAYERS	
	Soil
	Compacted soil
	Gravel 2 - 8 mm
	Gravel 8 - 16 mm
	Sand
	Water
	Final surface

SAND / GRAVEL 8-16 mm		
Table CE/3 Packing Tool	Layer Thickness	Passes / Layers
 Hand stamp min. 15 kg	150 mm	4
 Vibrator stamp 70 kg	300 mm	4
Vibrator flat 100 kg	150 mm	6

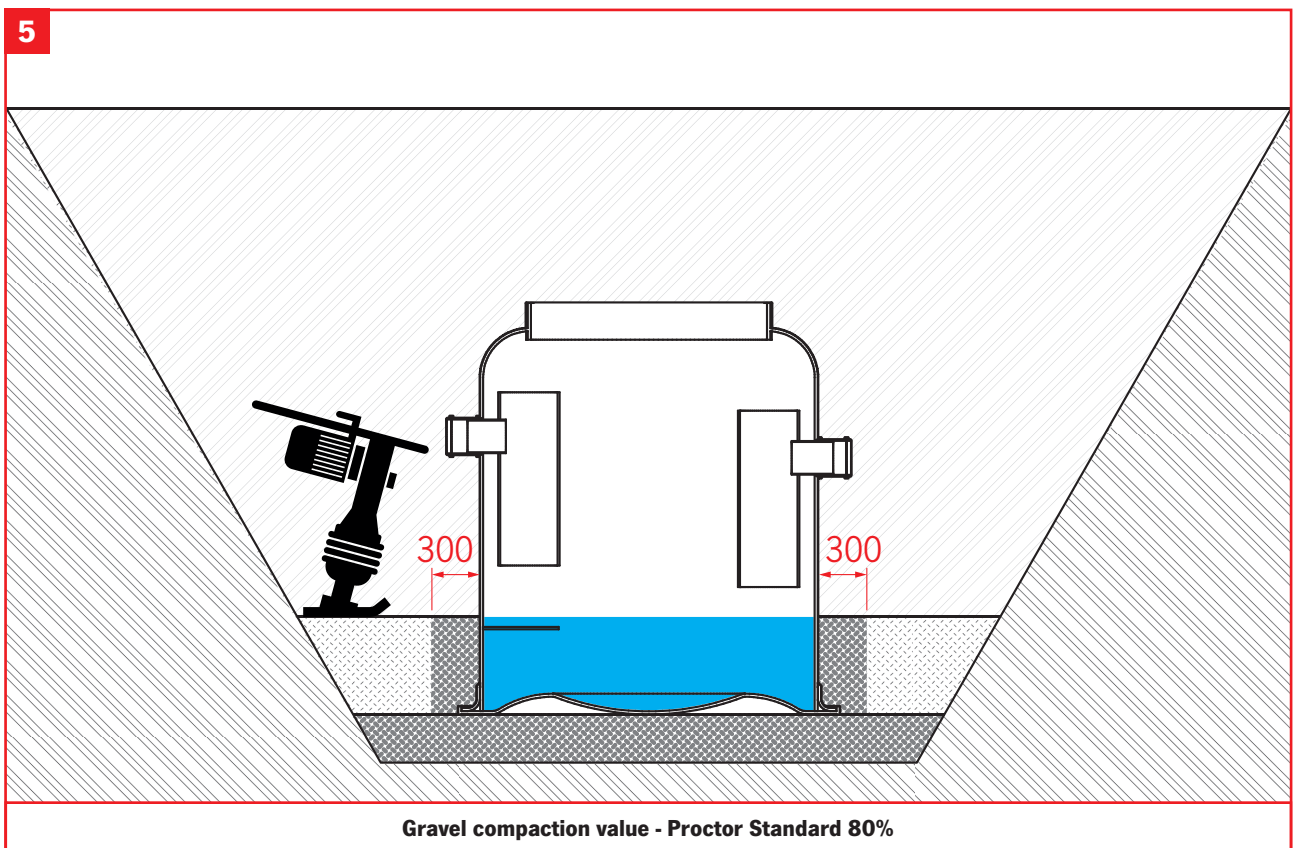
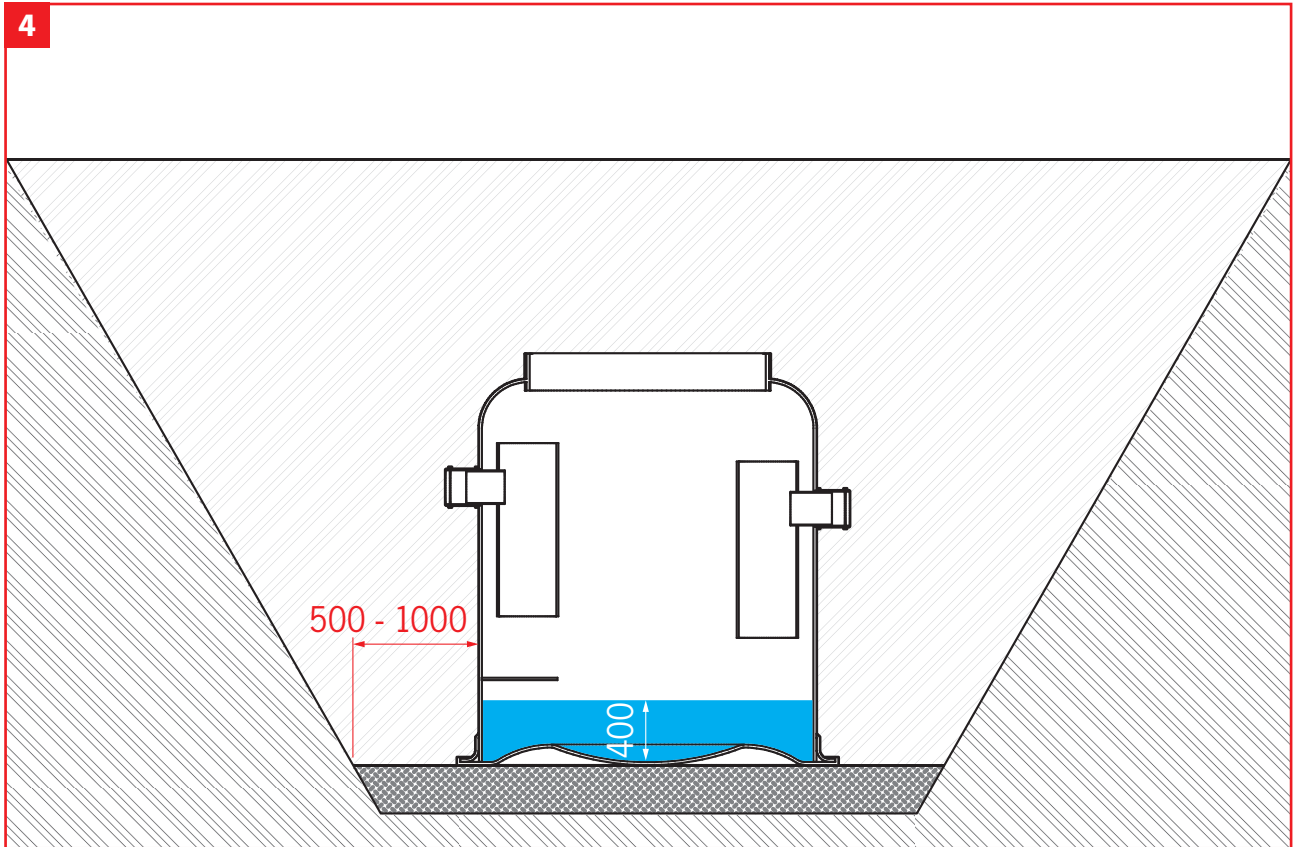
TANK INSTALLATION

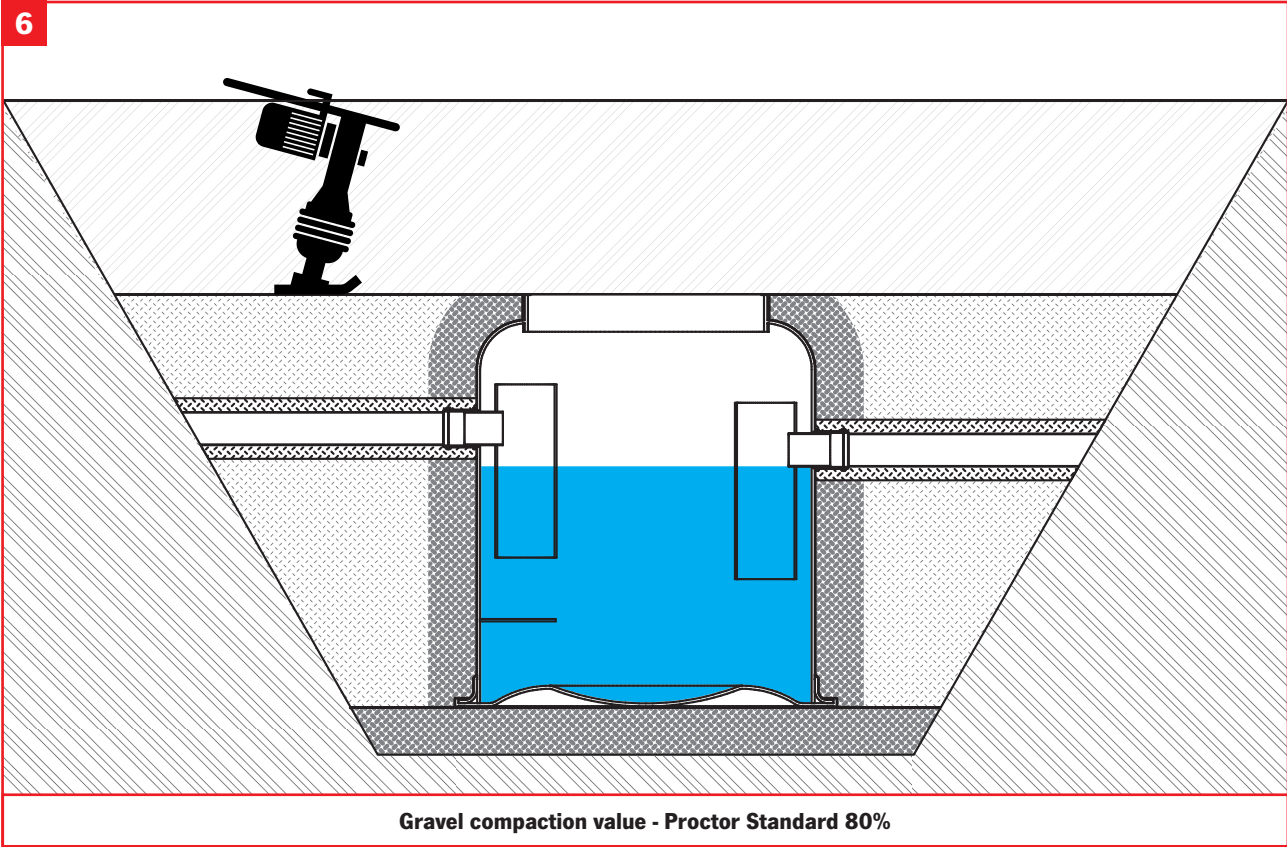


TANK INSTALLATION

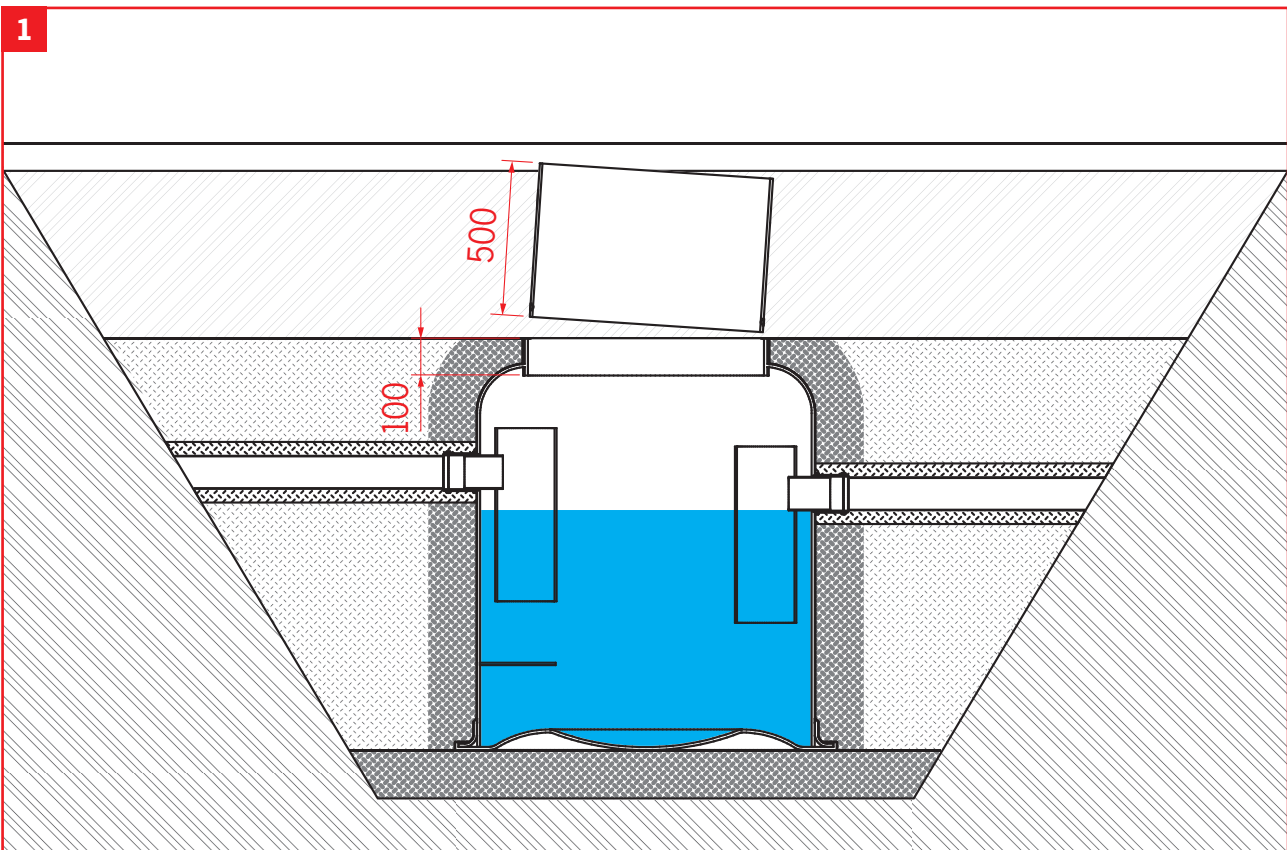


TANK INSTALLATION

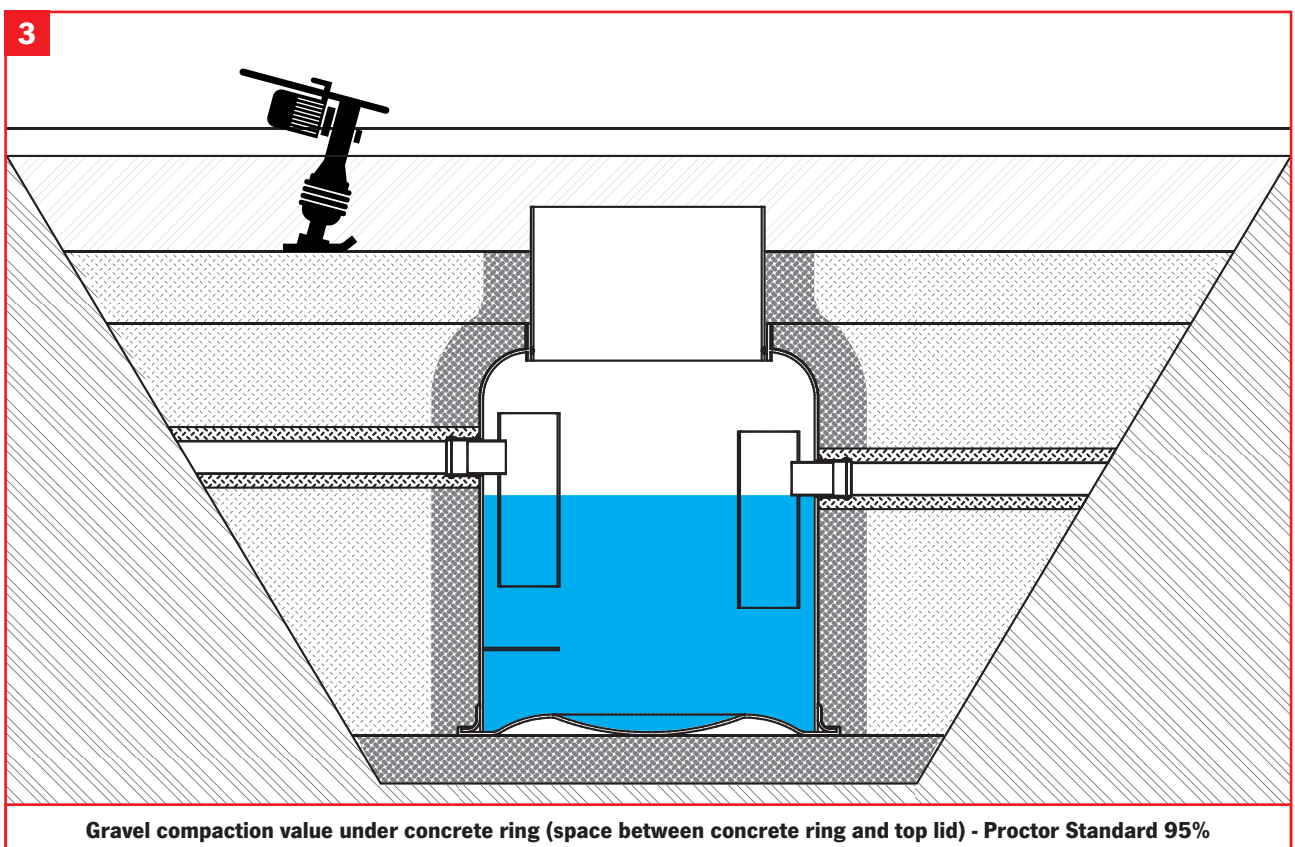
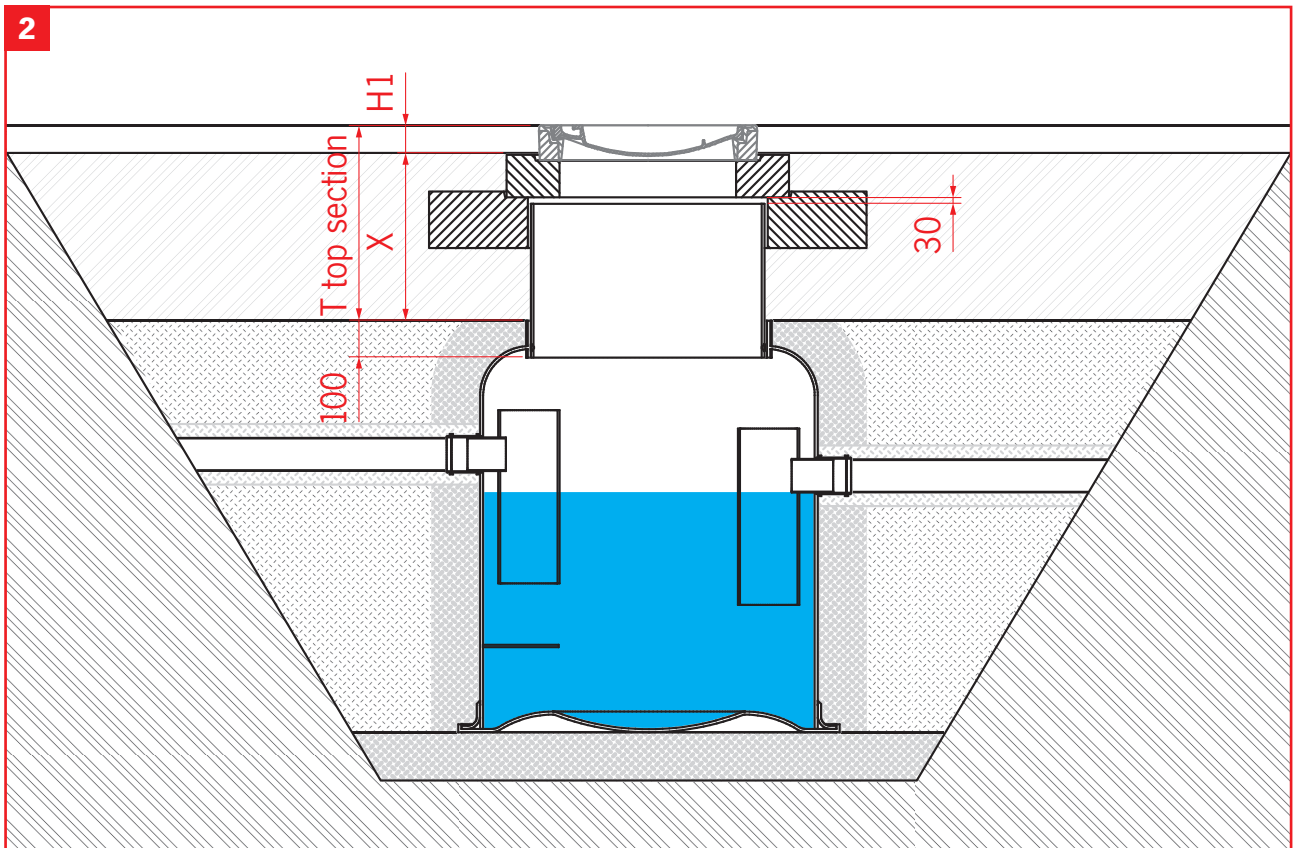


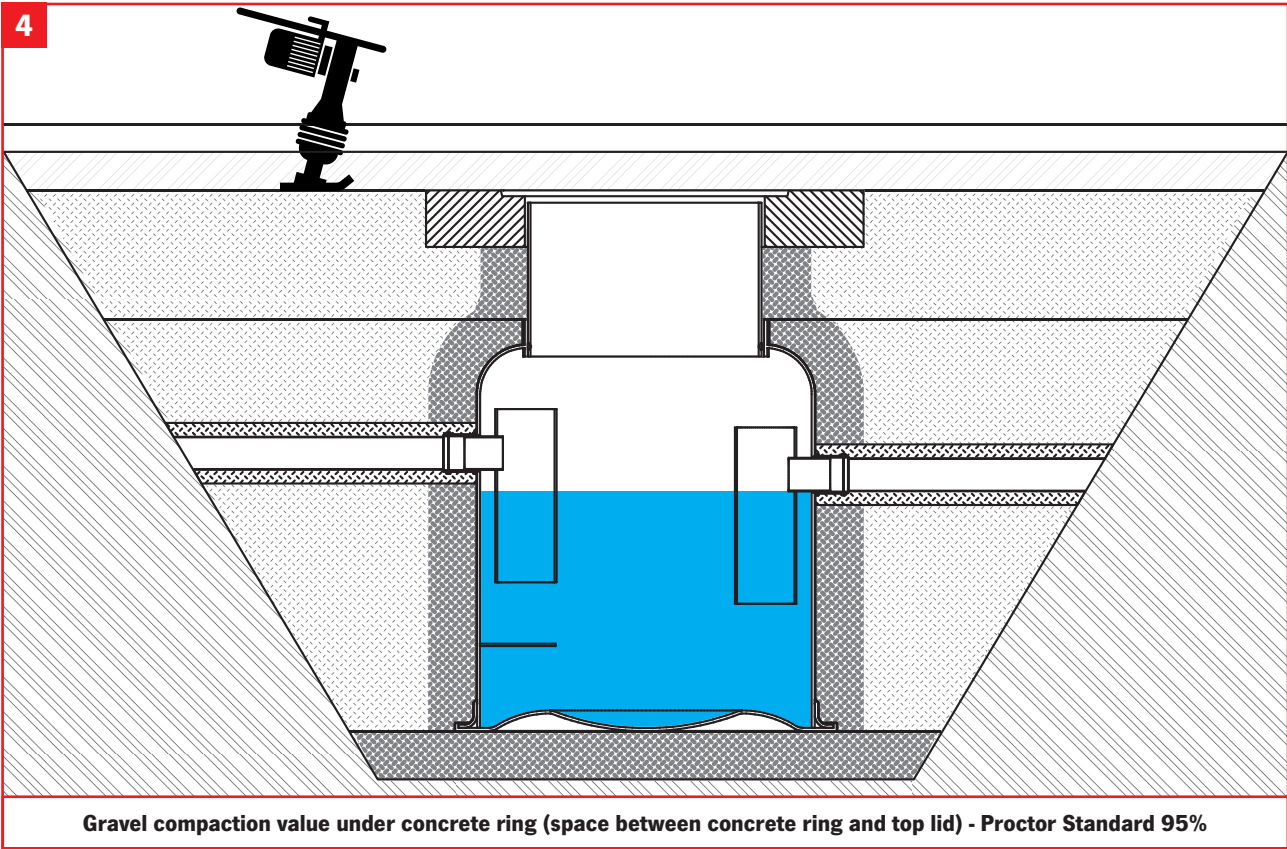









TOP SECTION INSTALLATION

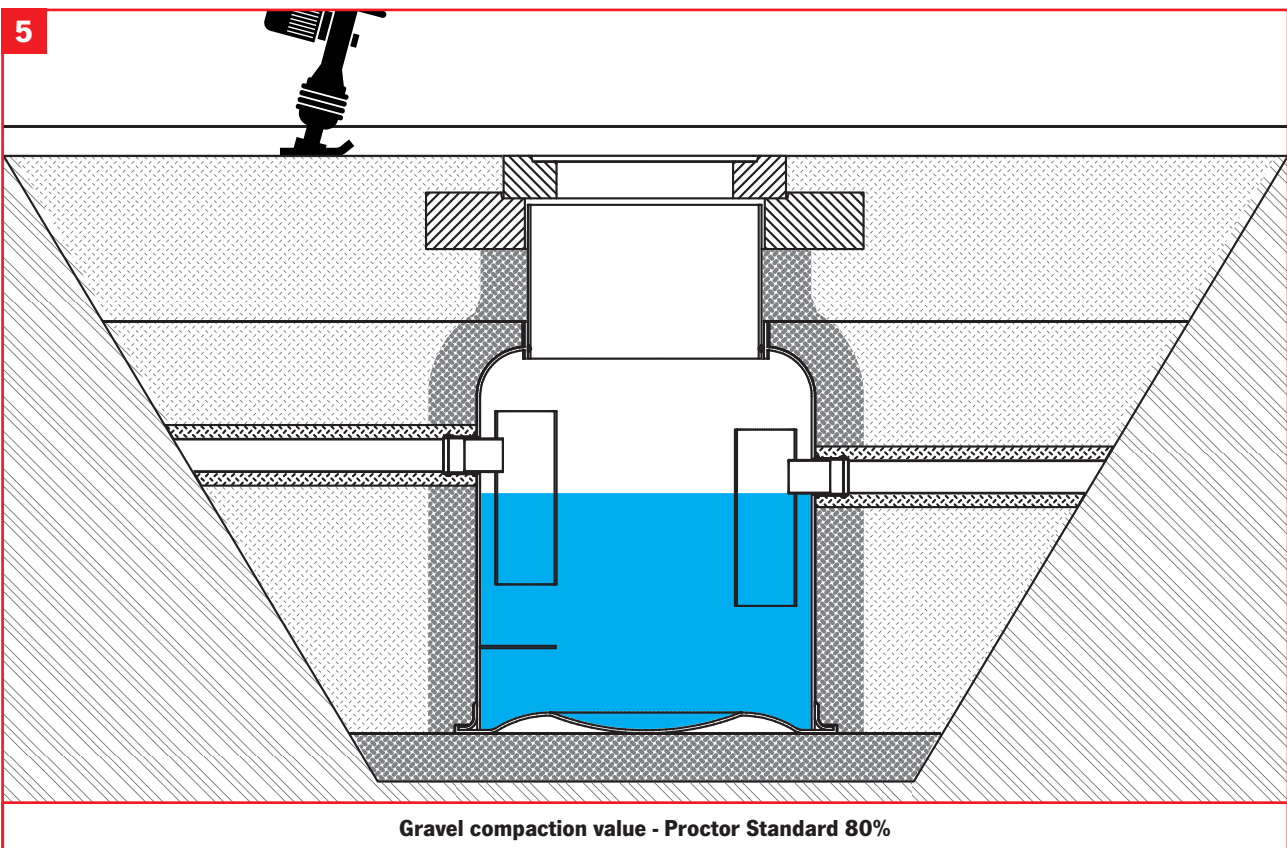


TOP SECTION INSTALLATION

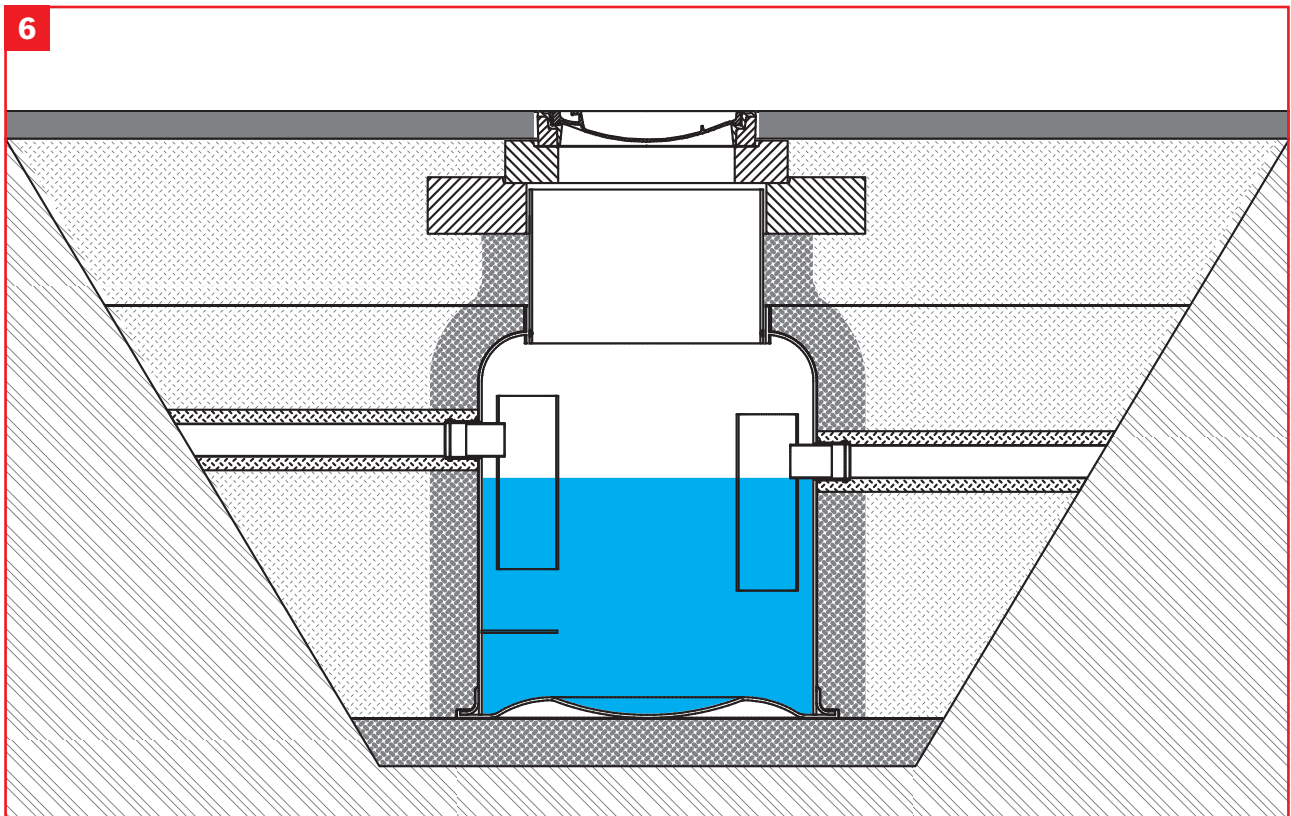




-  Final surface
-  Water
-  Sand
-  Gravel 8 - 16 mm
-  Gravel 2 - 8 mm
-  Compacted soil
-  Soil



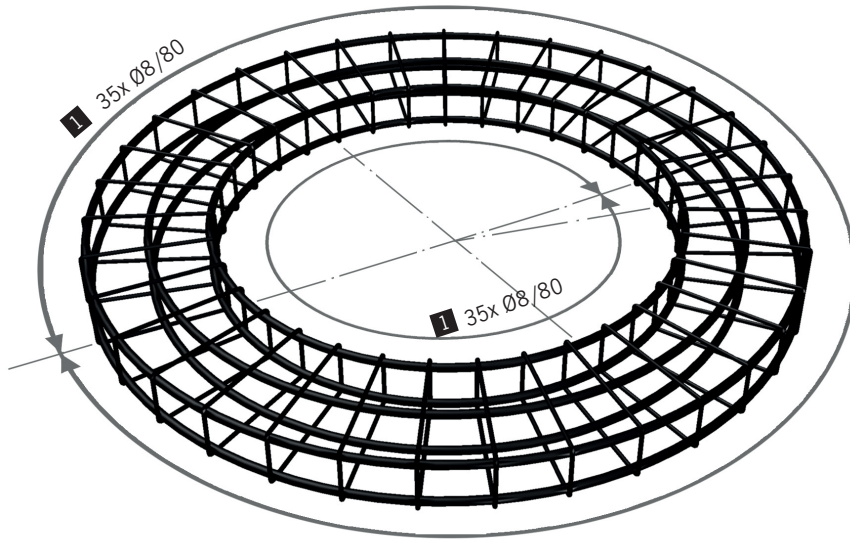
TOP SECTION INSTALLATION



ADJUSTABLE CONCRETE RING - D 400 | Ø1550 / 650 x 200 | Ø1550 / 850 x 200

1

REINFORCEMENT PLAN



APPLICATION

If a load distribution plate has to be provided locally, the following notes have to be observed:

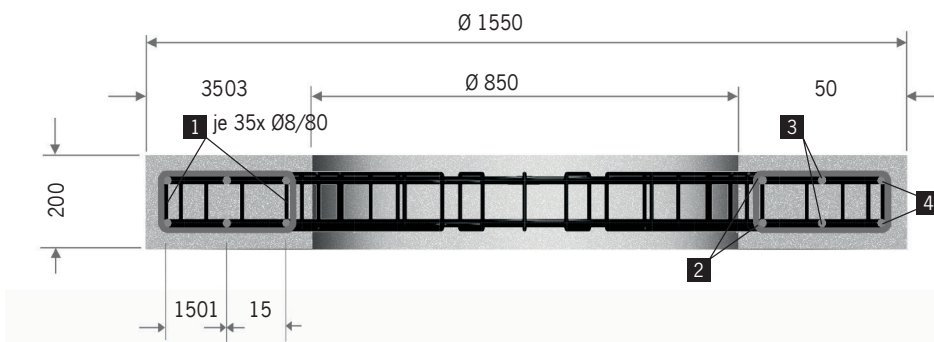
WELDED CONNECTION

Caution!

Welded connections may only be carried out at upper reinforcement. For all welded connections, DIN 1045-1 para 9.2.2 applies (particularly table 12 lines 3 and 7).








2

CROSS-SECTION Ø1550 / 850 x 200



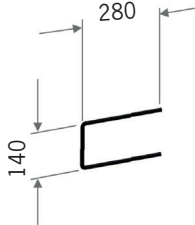
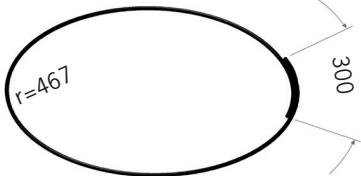
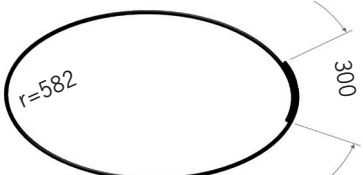
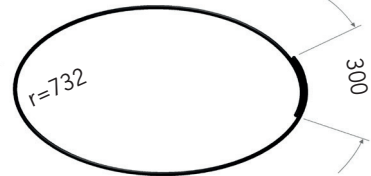
LOAD DISTRIBUTION PLATE
Ø1550 / 850 x 200

Exposure: **SLW 60 as per DIN 1072**
Concrete: **C 35/45**
Concrete steel: **BSt 500 / 550 (A)**
Concrete cover: **nom c=30mm**
Exp. classes: **XC2; XF2; XA2**

-  Final surface
-  Water
-  Sand
-  Gravel 8 - 16 mm
-  Gravel 2 - 8 mm
-  Compacted soil
-  Soil



ADJUSTABLE CONCRETE RING - D 400 | Ø1550 / 650 x 200 | Ø1550 / 850 x 200

ITEM NO.	QUANTITY	Ø	LENGTH	TOTAL LENGTH [m]	d _{Br} /d _s	EXTERNAL DIMENSIONS AND INSIDE RADIUS IN (MM) DEFLECTION AS PER SIA 162/DIN 1045
1	70	8	0,70	49,0	4	
2	2	8	3,23	6,46		
3	2	8	3,95	7,90		
4	2	8	4,90	9,80		

Total length: Σ Ø - 73.16 m; total weight: 28.9 kg



NOTES



ACO Industries Tábor s.r.o.

Prumyslova 1158
391 01 Sezimovo Usti
Czech Republic

www.aco.com

ACO. The future of drainage

All reasonable care has been taken in compiling the information in this document. All recommendations and suggestions on the use of ACO products are made without guarantee since the conditions of use are beyond the control of the Company. It is the customer's responsibility to ensure that each product is fit for its intended purpose and that the actual conditions of use are suitable. This brochure and any advice is provided free of charge and accordingly on terms that no liability (including liability for negligence) will attach the Company or its servants or agents arising out of or in connection with or in relation to this brochure or any such advice. Any goods supplied by the Company will be supplied solely upon its standard conditions of sale, copies of which are available on request. The Company's policy of continuous product development and improvement renders specifications liable to modification. Information provided in this brochure is therefore subject to change without prior notification.