

ACO Product Catalogue

ACO Separators

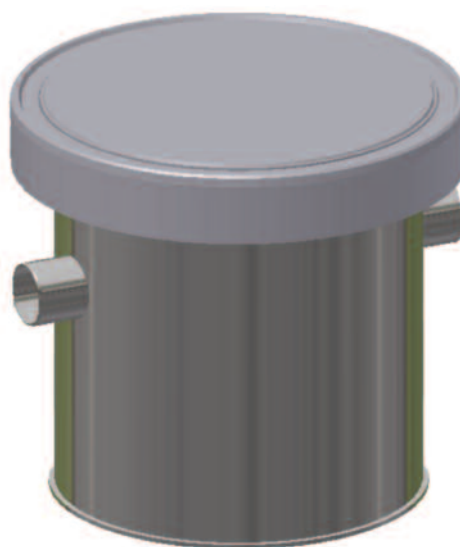
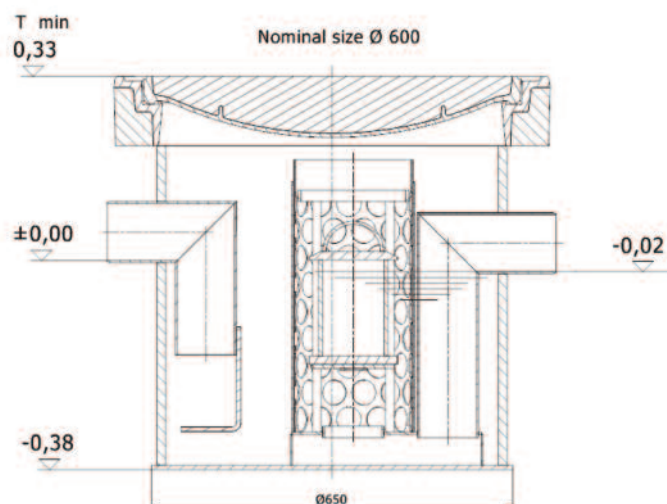
Petrol Separators

Oleopator P NS 3 without sludge trap



ACO Oleopator P NS 3 without sludge trap

Class I separator



Your benefits

- the min. installation depth 710 mm.
- low weight
- easy access for maintenance, cleaning and waste disposal

Article description for Coalescence separators

OLEOPATOR®- P

Nominal sizes: 3

in accordance with EN 858 pre-installed sampling connection. Coalescence insert removable for cleaning purposes, Material: PE - HD, cover class B125.

Order Nr.	S10168
Nominal size	NS 3
Sludge trap (litres)	-
Manhole cover size	600
Pipe connection / Outer -	DN 100 / Ø 110
Heaviest single comp. (kgs) ca.	115
Total weight (kgs)	130
Class	1
Load Class	B 125
Max. oil storage capacity	44 l
Total capacity	95 l

Accessories

	Typ dxh	Weight	Order. Nr.	Picture
Support and shaft ring DN 600 as per DIN 4034 T1	625 x 40	27	742 010	
	625 x 60	39	742 011	
	625 x 80	51	742 012	
	625 x 100	64	742 013	
	625 x 120	80	742 014	
	625 x 150	96	742 070	
	625 x 200	128	742 071	
	625 x 400	256	742 072	
	625 x 500	320	742 073	
Adjustable ring	615 x 40	25	418 800	