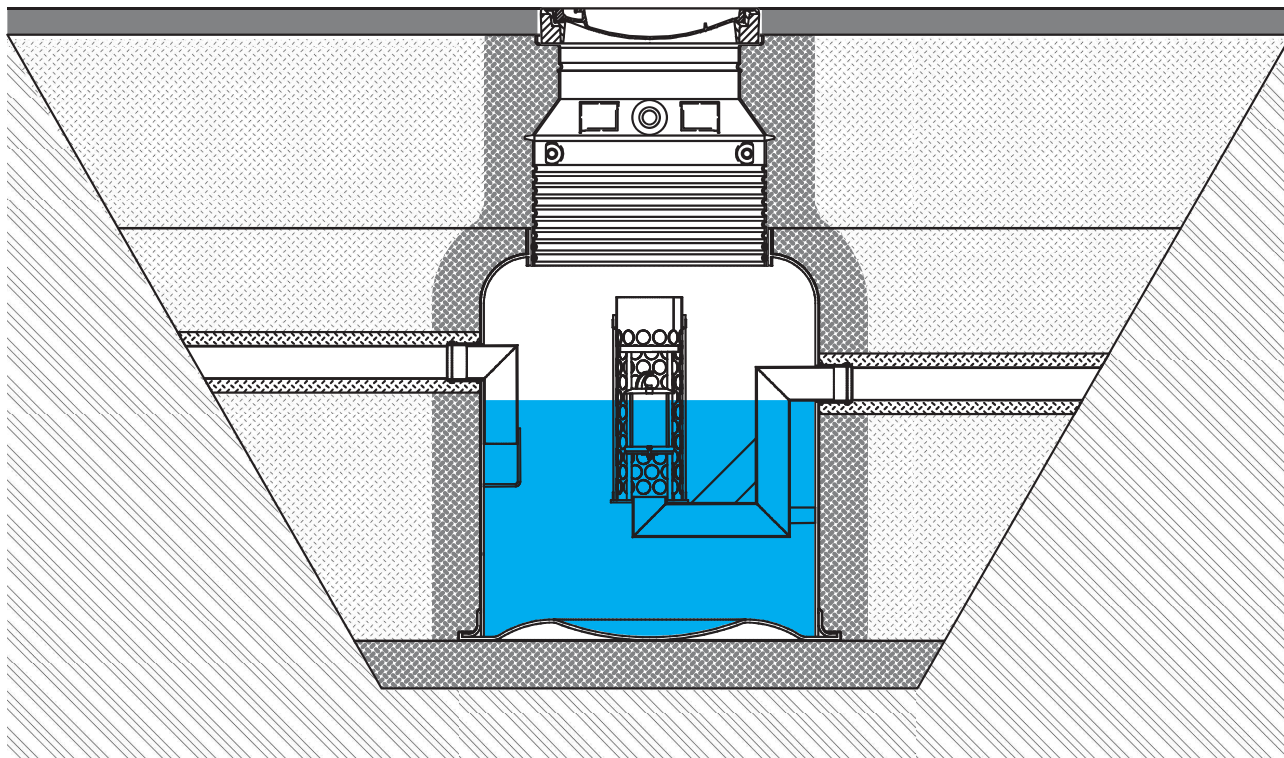


Installation manual

ACO Oleopator G & ACO Oleopator-Bypass G



CONTENT



CONTENT	2
STRUCTURE AND COMPONENTS	3
INSTALLATION IN GENERAL	4
Application	
Proper use includes	
Staff	
Journal	
Technical Amendments	
Product Description	
Function	
Flexible application	
STRUCTURE - A 15/B 125/D 400	5
DIMENSIONS - A 15/B 125/D 400	6
LEGEND	7
TANK INSTALLATION	7
TOP SECTION INSTALLATION	10
ALARM CONNECTION	12
TOP SECTION INSTALLATION FOR LOAD CLASS - A 15/B 125/D 400	13
DESIGNATION LABEL	15
ADJUSTABLE CONCRETE RING	16
NOTES	18

Note:

Read this manual before installing the Oleopator G & Oleopator-Bypass G. This manual is for the ACO prefabricated light oil separator Oleopator G & Oleopator-Bypass G.

This manual should be used when installing the Oleopator G & Oleopator-Bypass G. This manual should be kept available at the workplace / installation site. Installation of the Oleopator G & Oleopator-Bypass G must be performed by qualified installers.

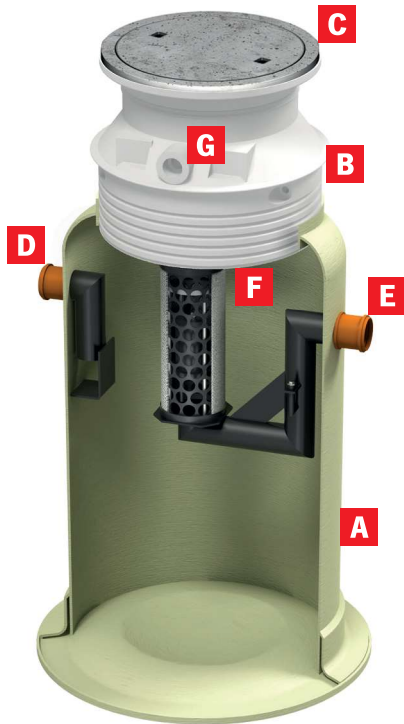
Provisions under applicable laws should be followed in order to prevent accidents and protect the environment.

Terms and Conditions:

Any change or alteration made to the Oleopator G & Oleopator-Bypass G by the consumer without ACO's specific approval will void all warranty obligations.

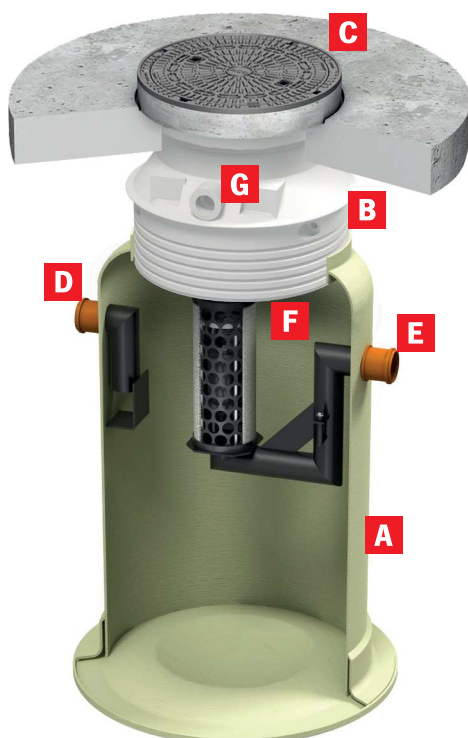


STRUCTURES AND COMPONENTS



ACO Oleopator G
ACO Oleopator-Bypass G
A 15 / B 125

- A Grease Separator (bottom part)
- B Extension shaft
- C ACO Cover A 15 / B 125
- D Inlet
- E Outlet
- F Designation Label
- G Slot for alarm connection (optional)



ACO Oleopator G
ACO Oleopator-Bypass G
D 400

- A Grease Separator (bottom part)
- B Extension shaft
- C ACO Cover D 400 and concrete ring
- D Inlet
- E Outlet
- F Designation Label
- G Slot for alarm connection (optional)

INSTALLATION IN GENERAL

Application

OLEOPATOR G & OLEOPASS G are designed to treat oily wastewater and storm water where high requirements are placed on degree of purification. Use of this oil separator for other purposes is prohibited.

The manufacturer is not liable for any damages caused by misuse. Responsibility falls entirely up on the operator.

Use of these light oil separators for any other purposes is prohibited. The manufacturer is not liable for any damages caused by misuse. Responsibility falls enrely upon the operator.

Terms and Conditions:

- Compliance with national laws and regulations;
- Compliance with all inspection and service instructions;
- Adhere to the manufacturer's installation, operation and maintenance instructions.

Staff

Personnel who perform the installation, operation, maintenance and servicing of this light oil separators must possess the training needed to do these tasks and must understand the contents of this manual.

Journal

A record shall be established and include the following:

- Checks carried out by operaonal staff;
- Service and test reports;
- Any breakdowns and repairs.

Technical Amendments

ACO reserves the right to make ongoing technical modifications which may result in differences between published text and/or images, and the product.

Product Descripon

The light oil separator Oleopator G & Oleopass G are designed for installation in the ground. The Oleopator G & Oleopass G come with an integrated sludge trap, inlet and outlet connections, an extension neck made of PE HD.

Function

The Oleopator G & Oleopass G light oil separators work on the gravimetric principle. Sludge and heavier particles sink to the bottom, while light oil which is lighter than water rises to the surface. Treated water flows out.

Flexible application

(according to EN 124)

▪ Load classes

A 15

Footways and areas accessible only to pedestrian & pedal cyclists

B 125

Footways that can be mounted by vehicle or livestock, and light tractor paths

D 400

Carriageways of roads and areas open to commercial vehicles

Load classes



A 15

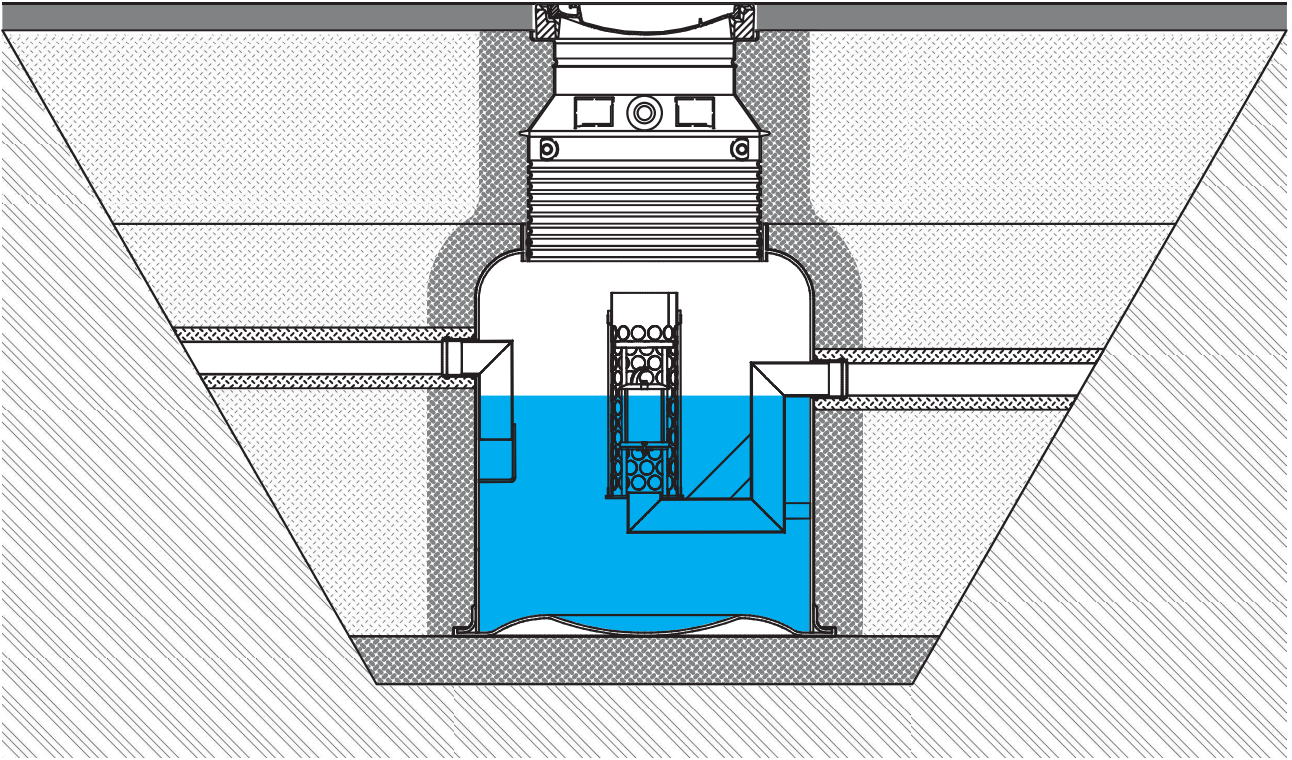


B 125

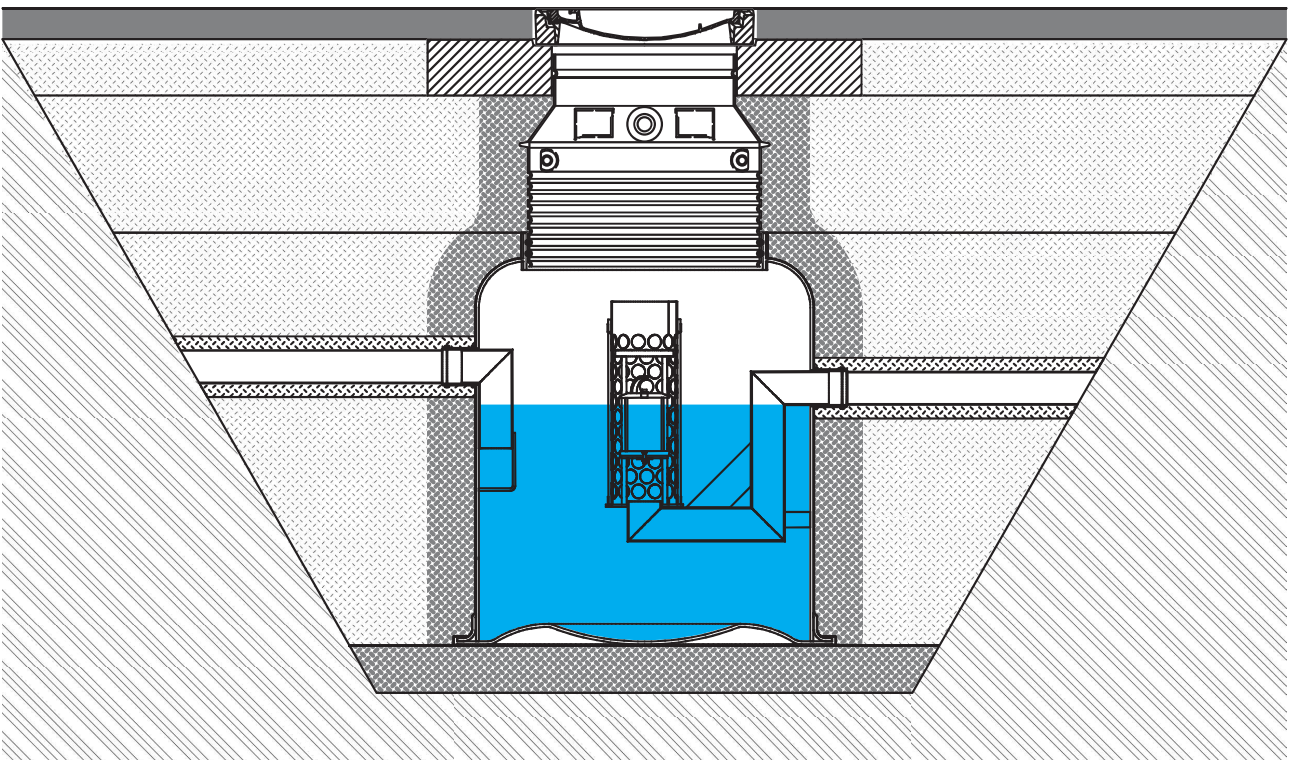


D 400

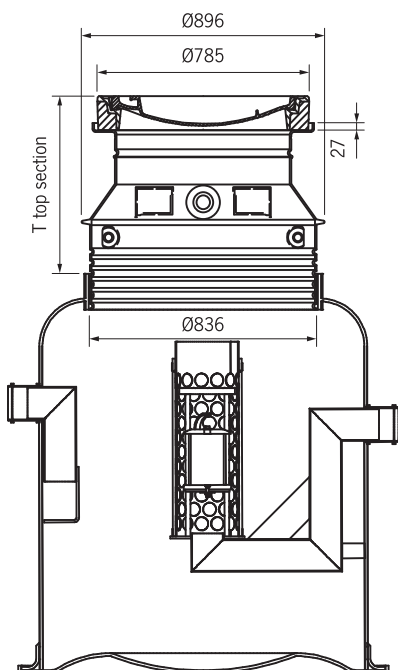
STRUCTURE - A 15 / B 125



STRUCTURE - D 400



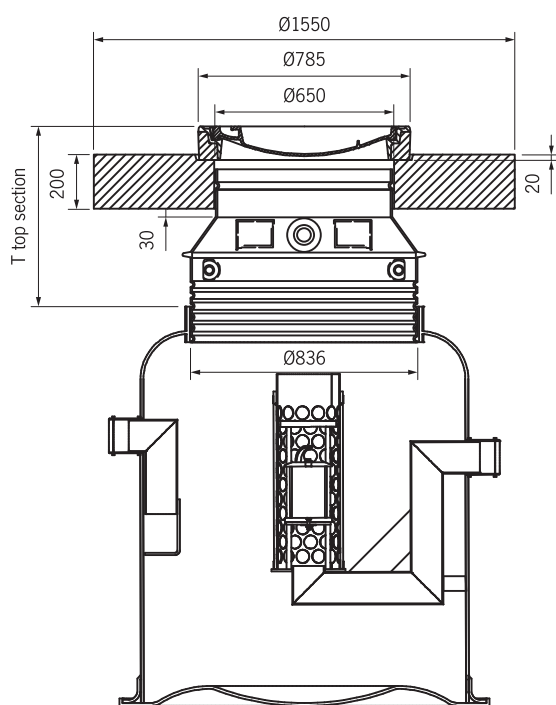
DIMENSIONS - A 15 / B 125



SIZE	A 15 - T top section	
	MIN	MAX
Short	520	640
Medium	520	1090
Long	520	1690

SIZE	B 125 - T top section	
	MIN	MAX
Short	550	670
Medium	550	1120
Long	550	1720








DIMENSIONS - D 400






SIZE	D 400 - T top section	
	MIN	MAX
Short	550	680
Medium	550	1130
Long	550	1730

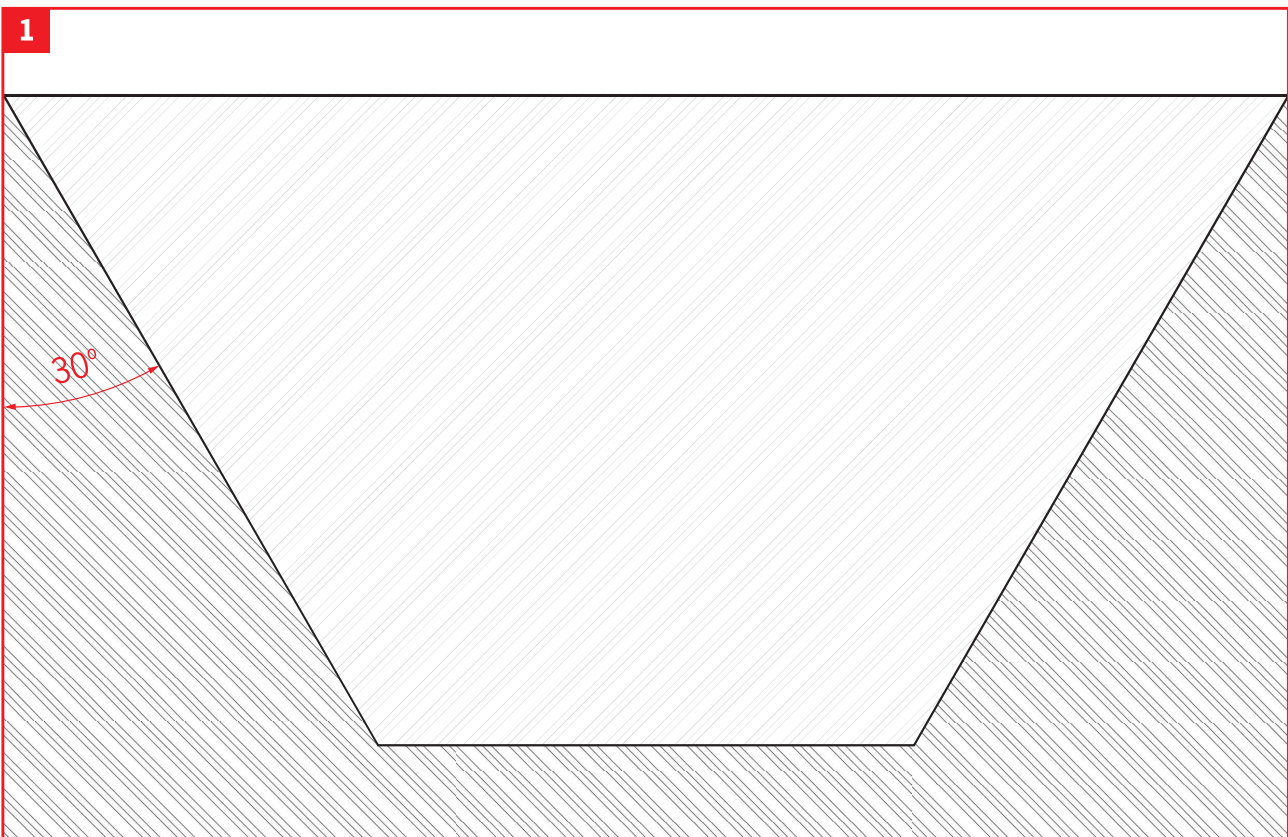


LEGEND

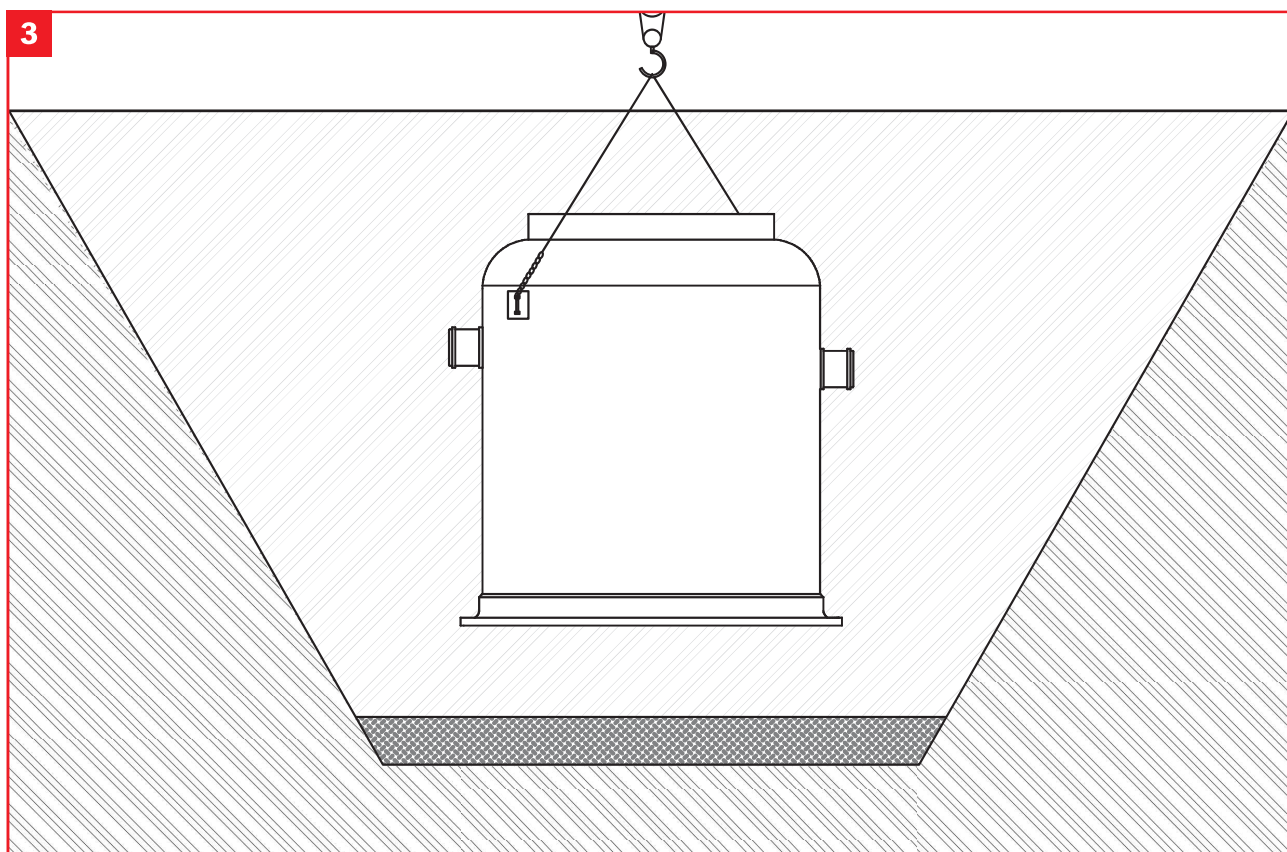
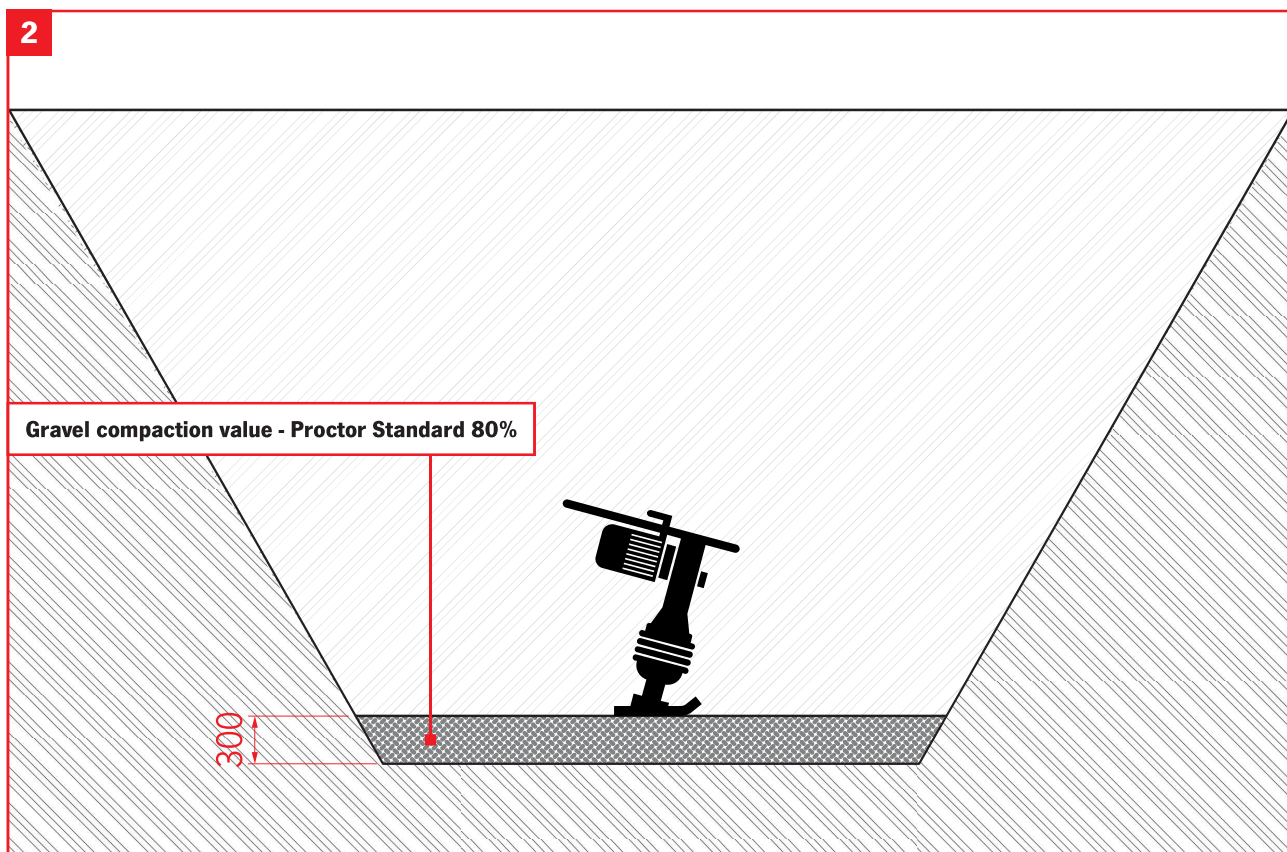
LEGEND - LAYERS	
	Soil
	Compacted soil
	Gravel 2 - 8 mm
	Gravel 8 - 16 mm
	Sand
	Water
	Final surface

SAND / GRAVEL 8-16 mm		
Table CE/3 Packing Tool	Layer Thickness	Passes / Layers
 Hand stamp min. 15 kg	150 mm	4
 Vibrator stamp 70 kg	300 mm	4
 Vibrator flat 100 kg	150 mm	6

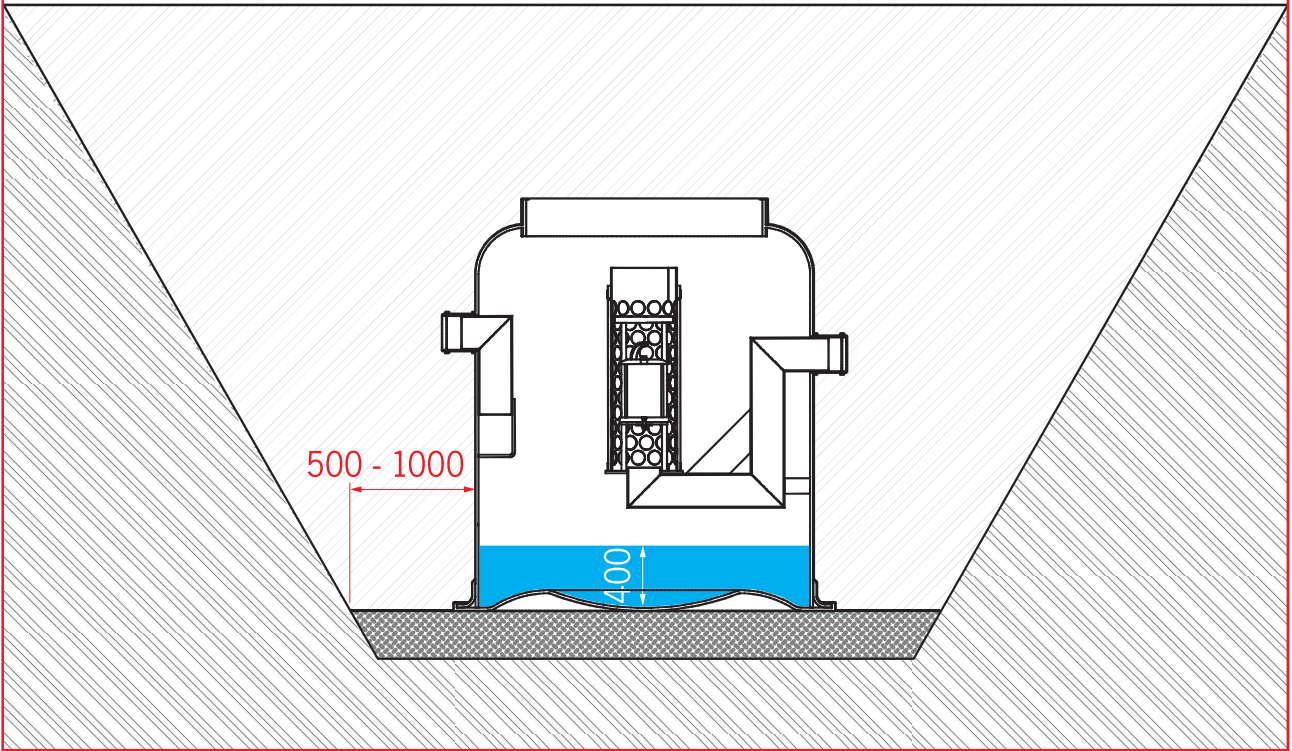
TANK INSTALLATION



TANK INSTALLATION



4



Final surface

Water

Sand

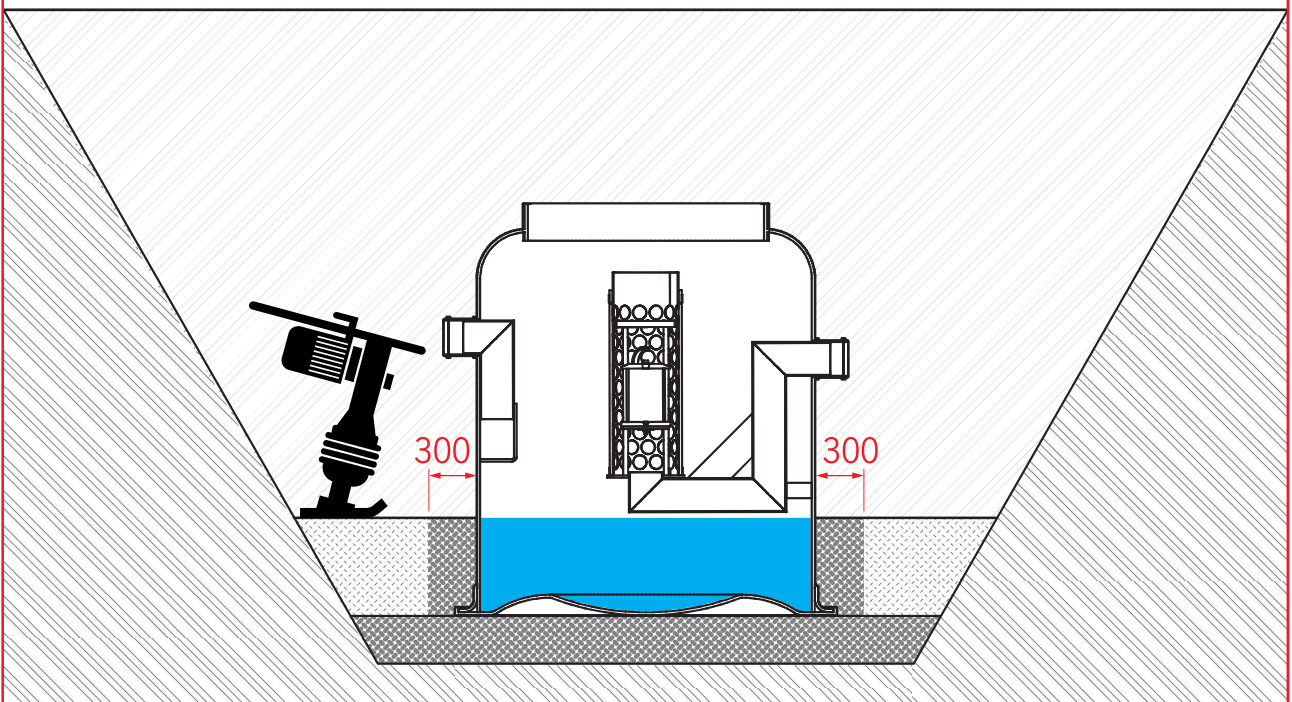
Gravel 8 - 16 mm

Gravel 2 - 8 mm

Compacted soil

Soil

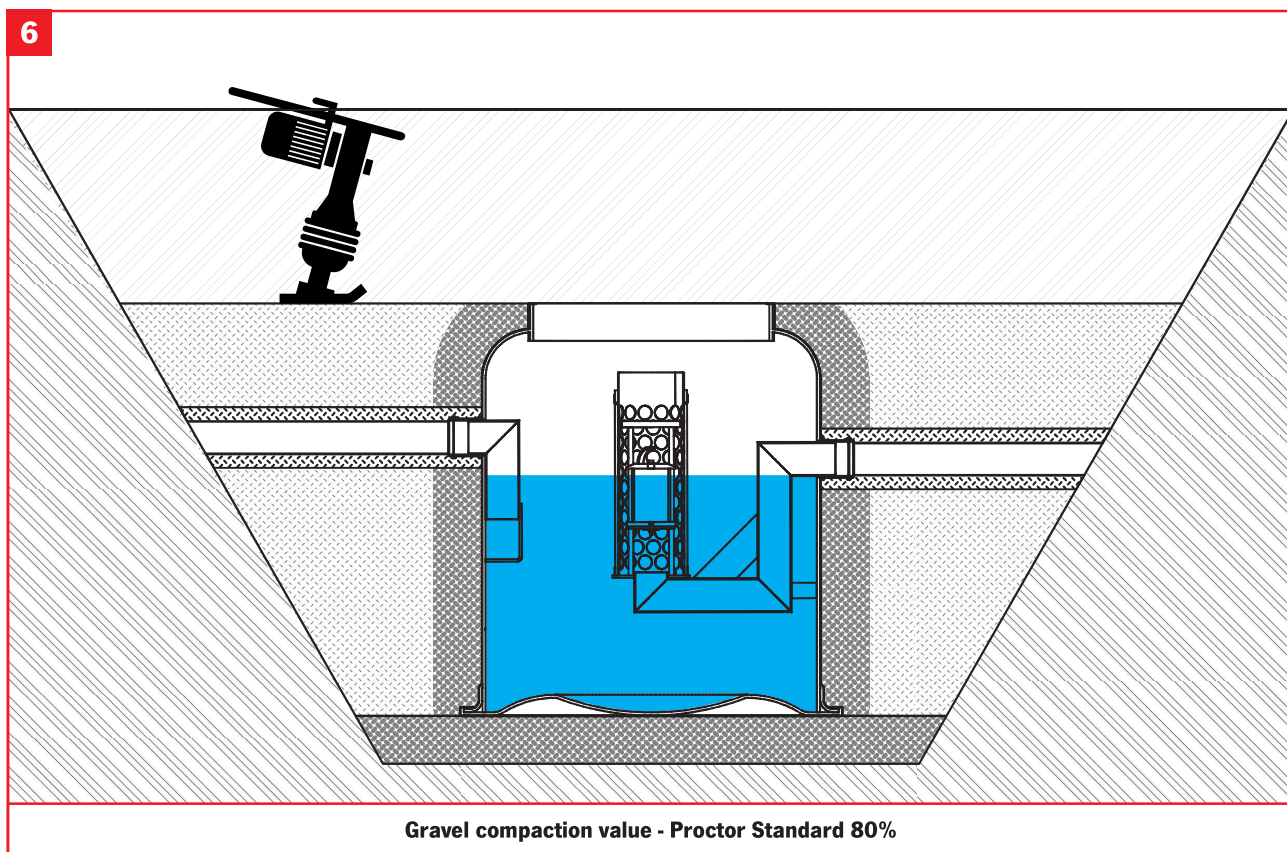
5



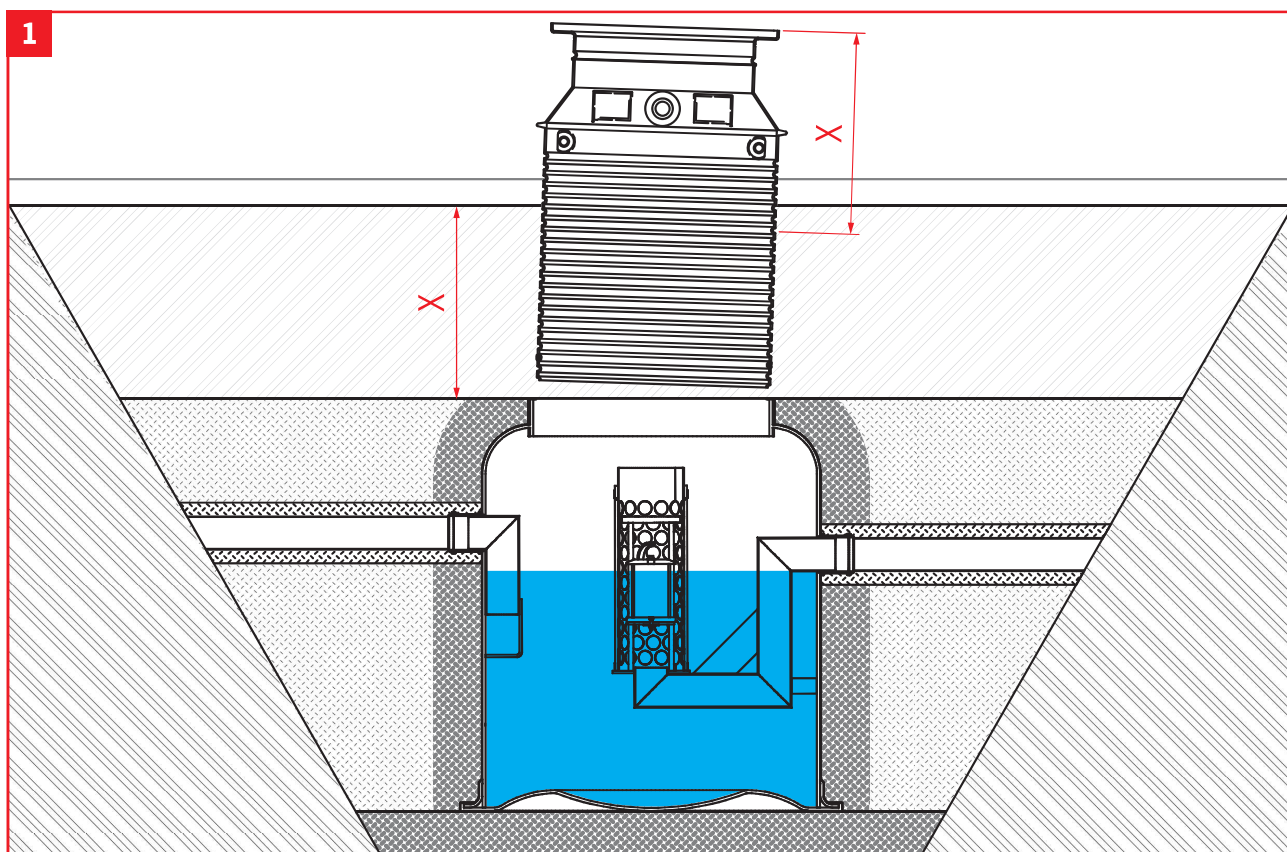
Gravel compaction value - Proctor Standard 80%

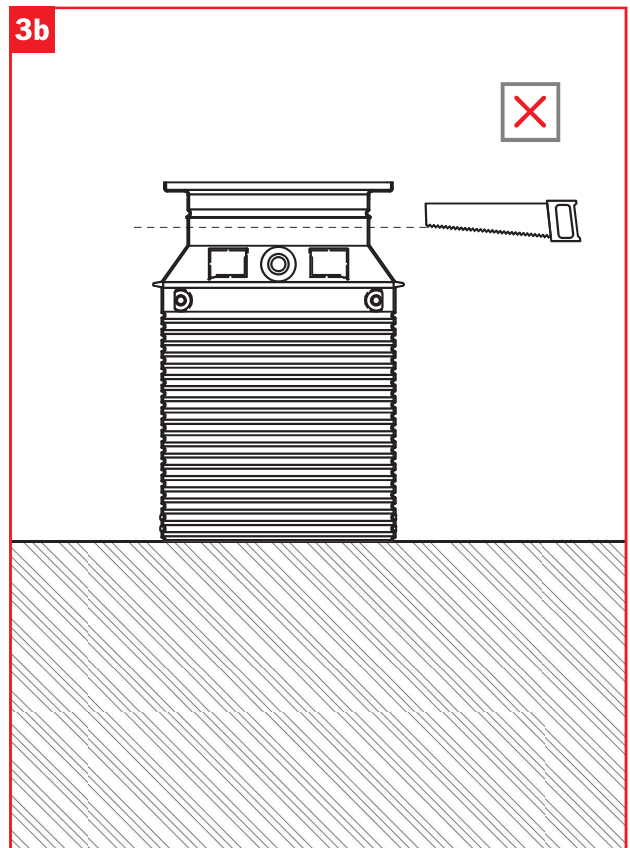
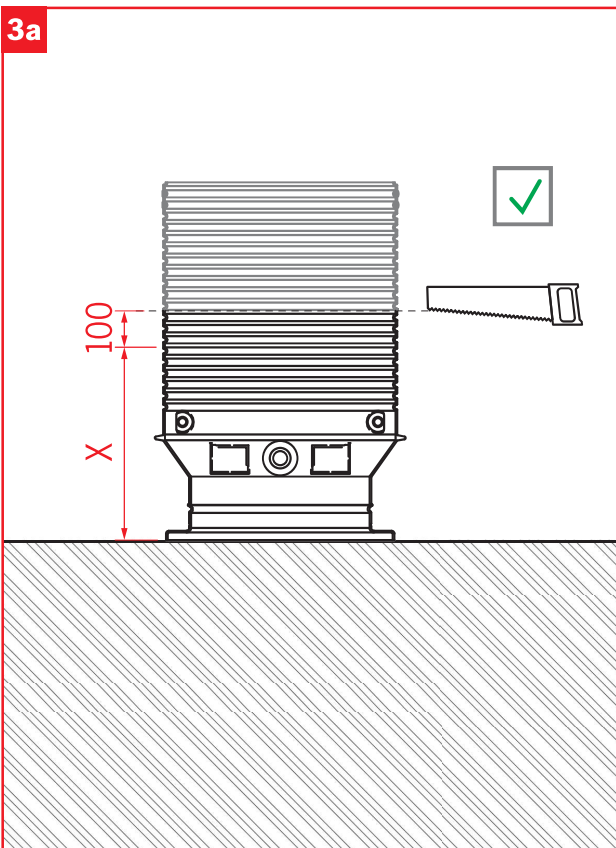
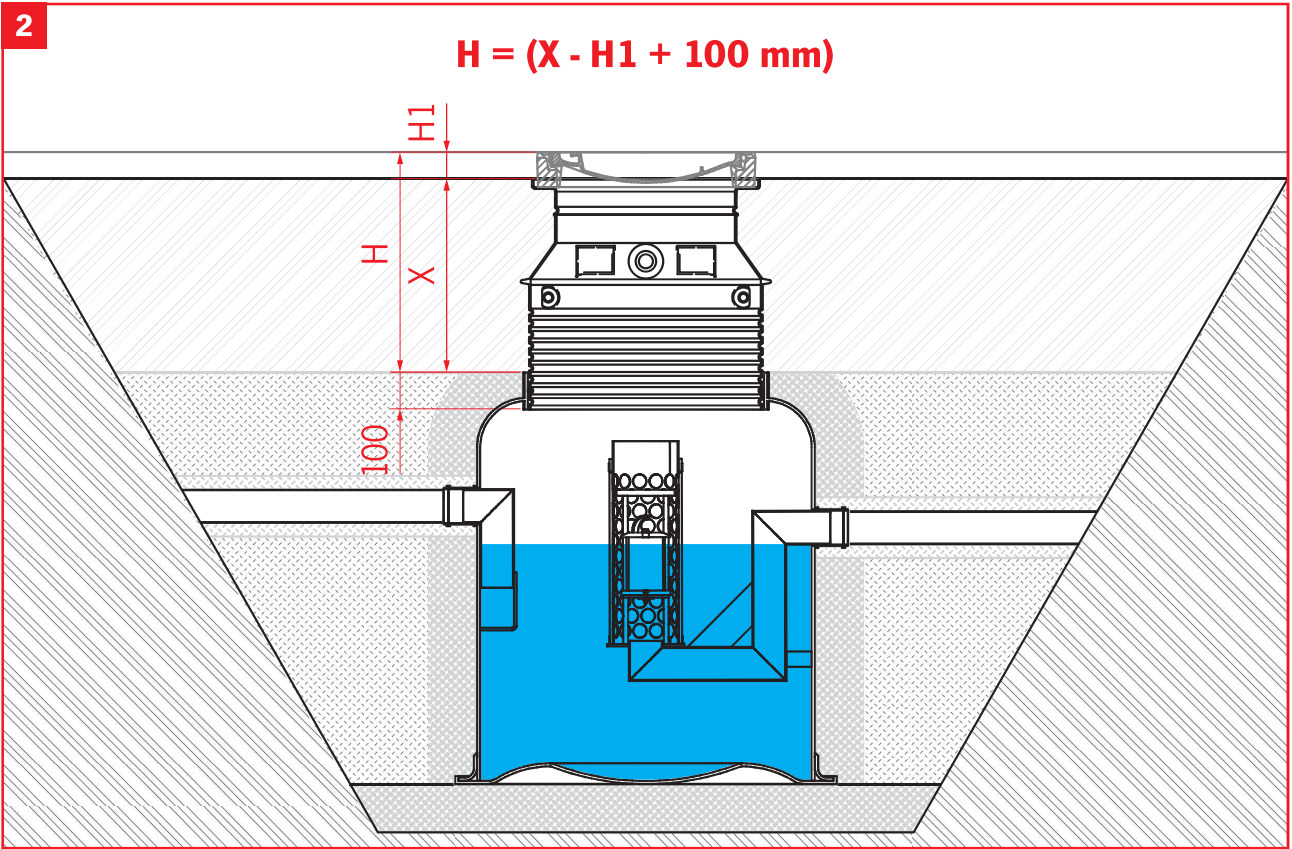


TANK INSTALLATION

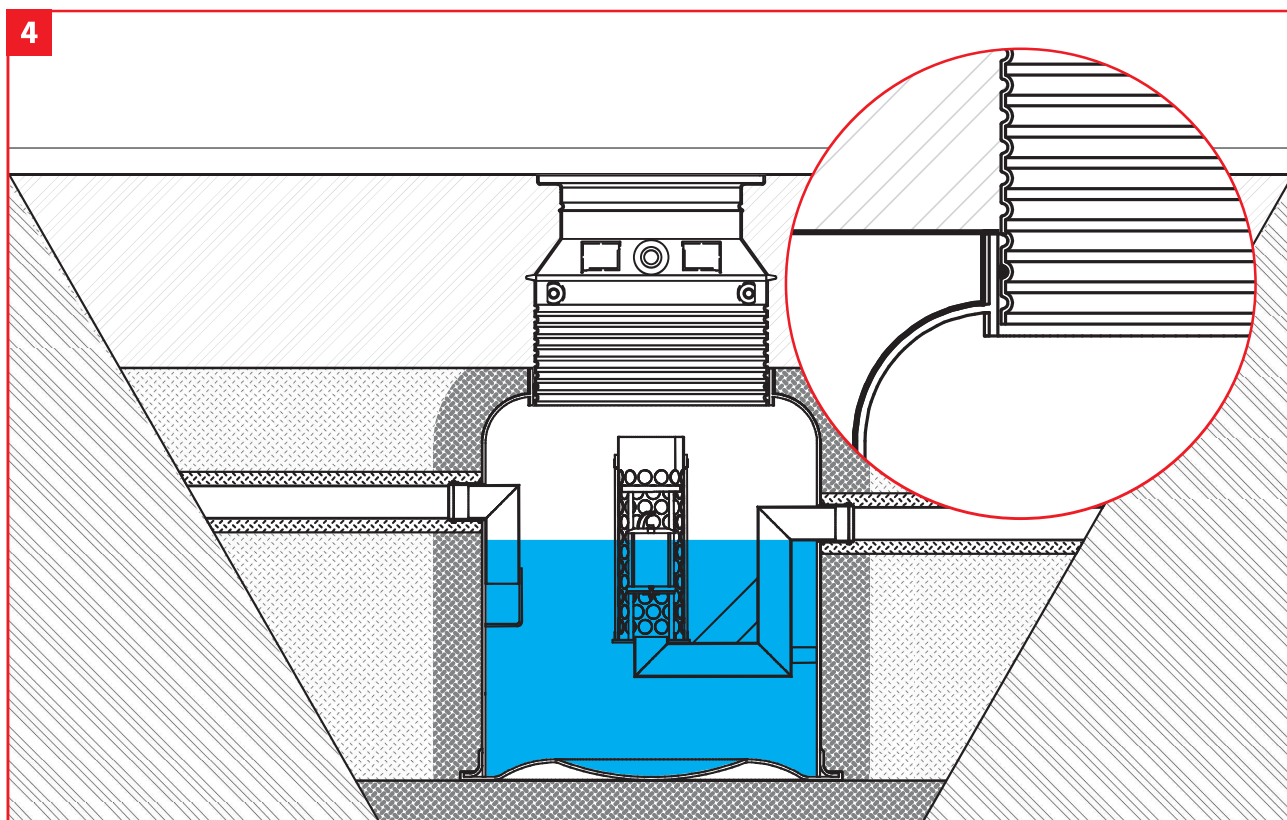


TOP SECTION INSTALLATION

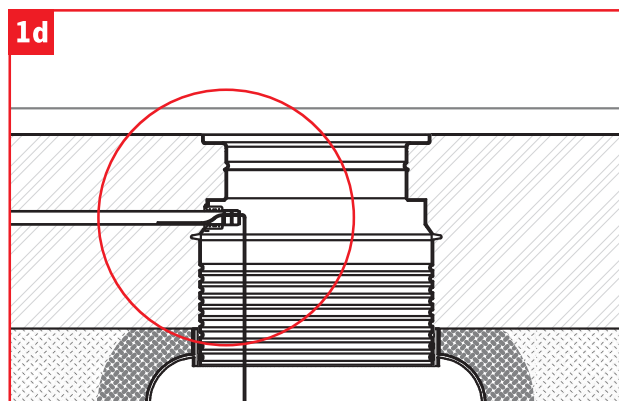
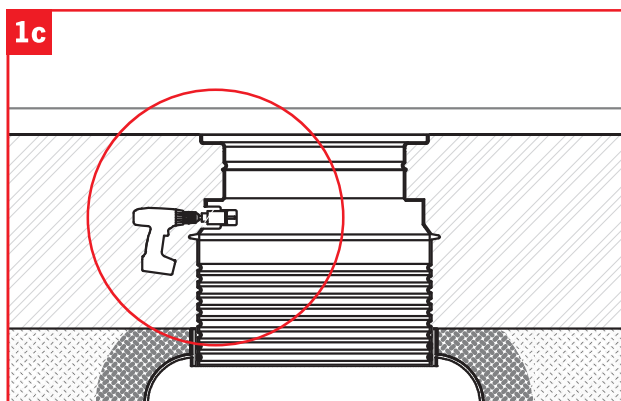
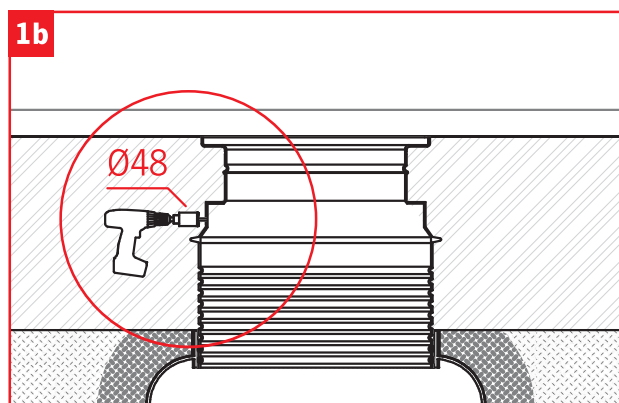
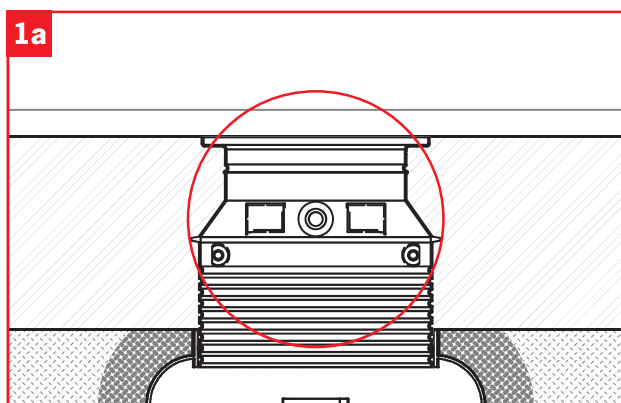




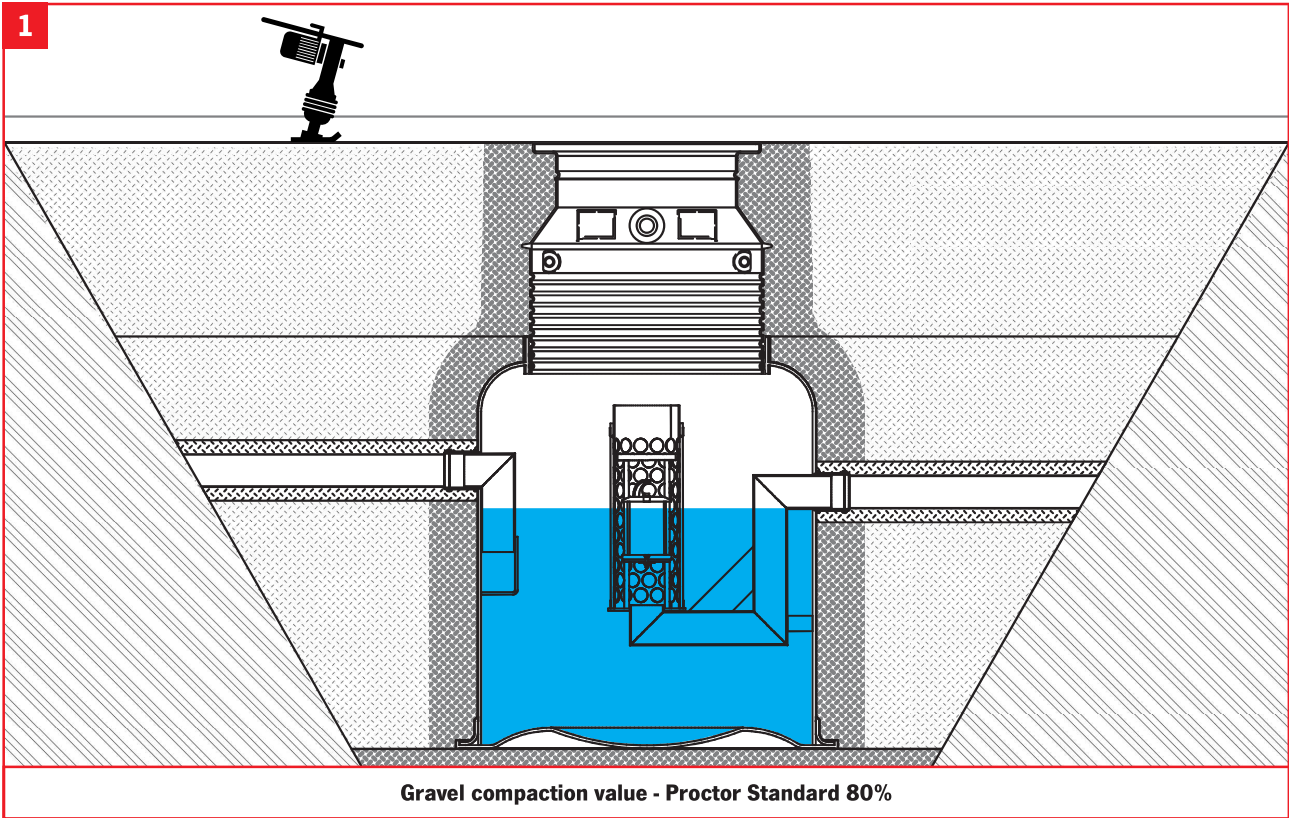
TOP SECTION INSTALLATION



ALARM CONNECTION



TOP SECTION INSTALLATION A 15 / B 125



Final surface

Water

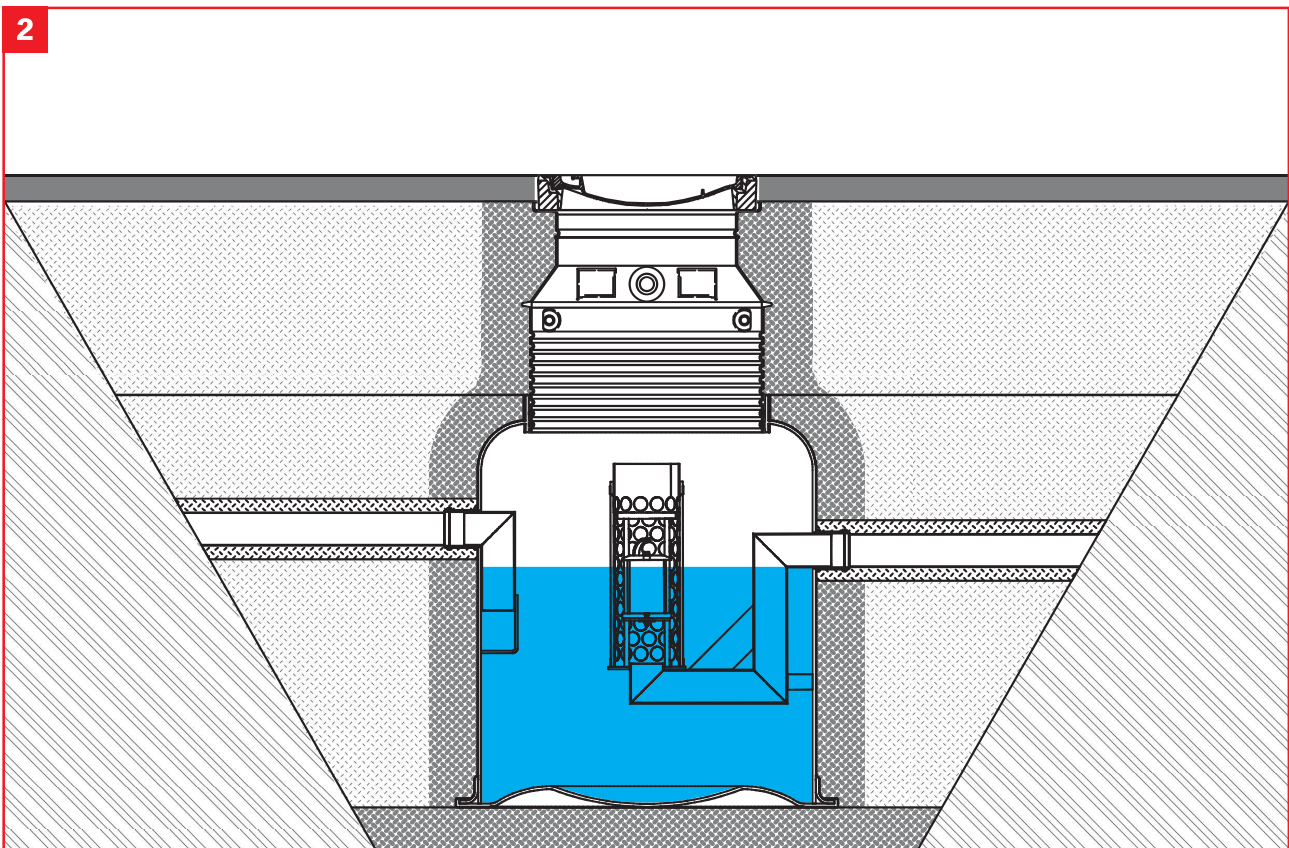
Sand

Gravel 8 - 16 mm

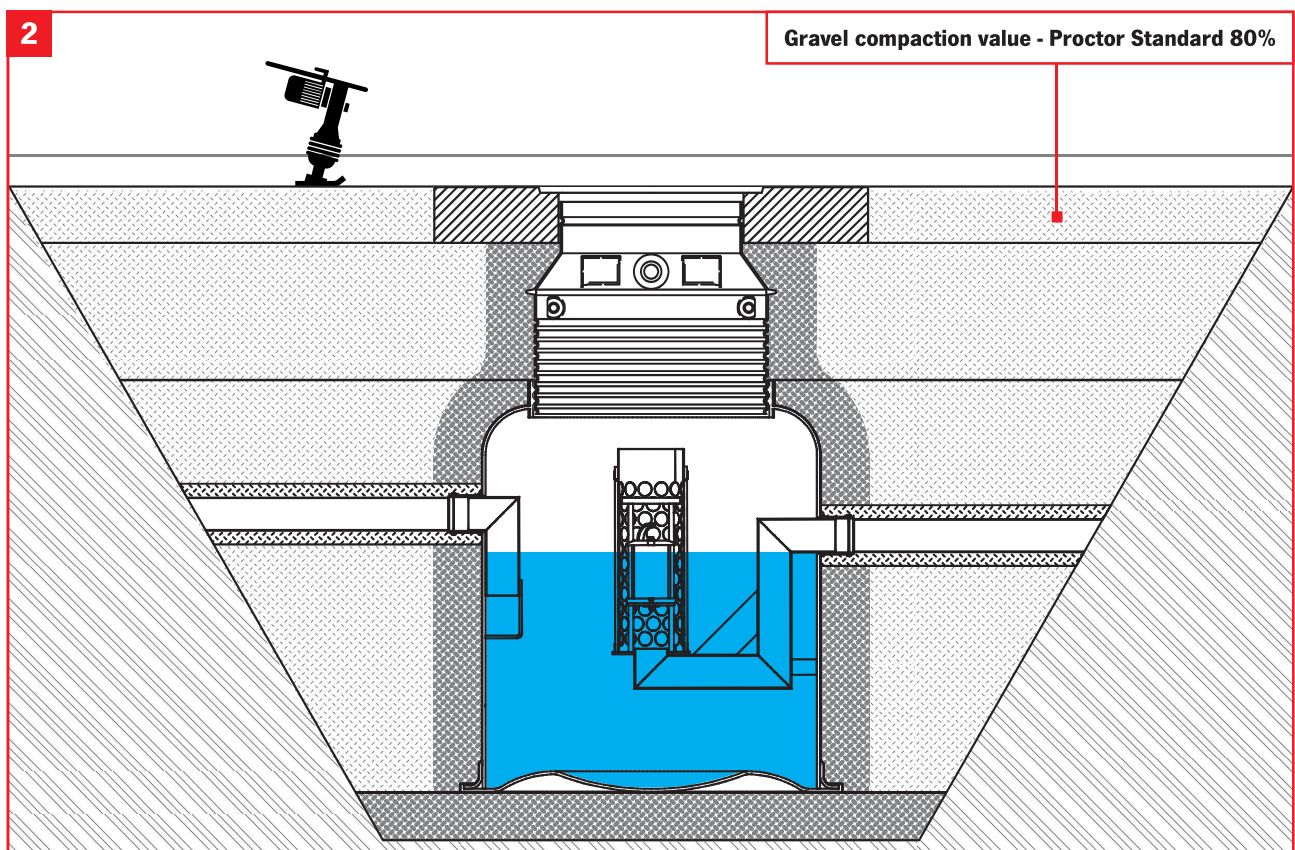
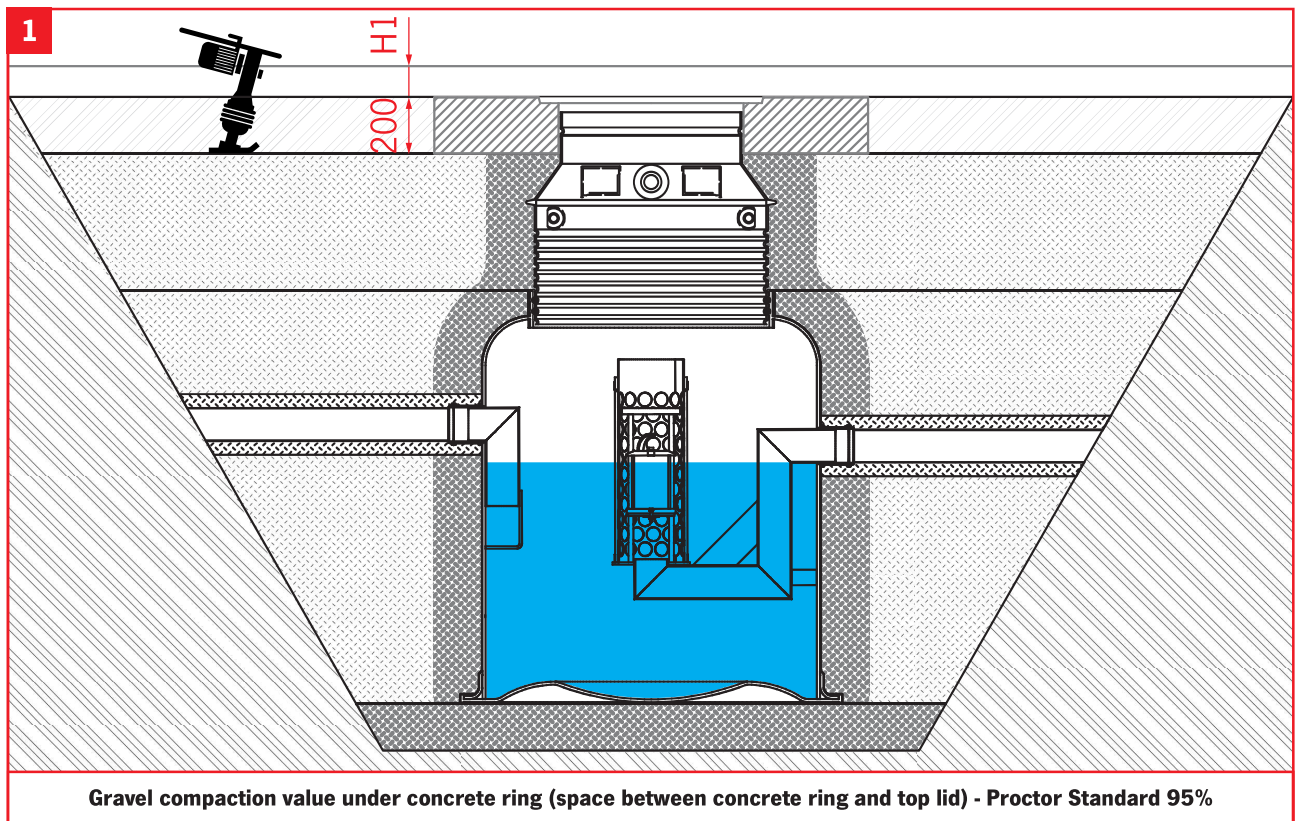
Gravel 2 - 8 mm

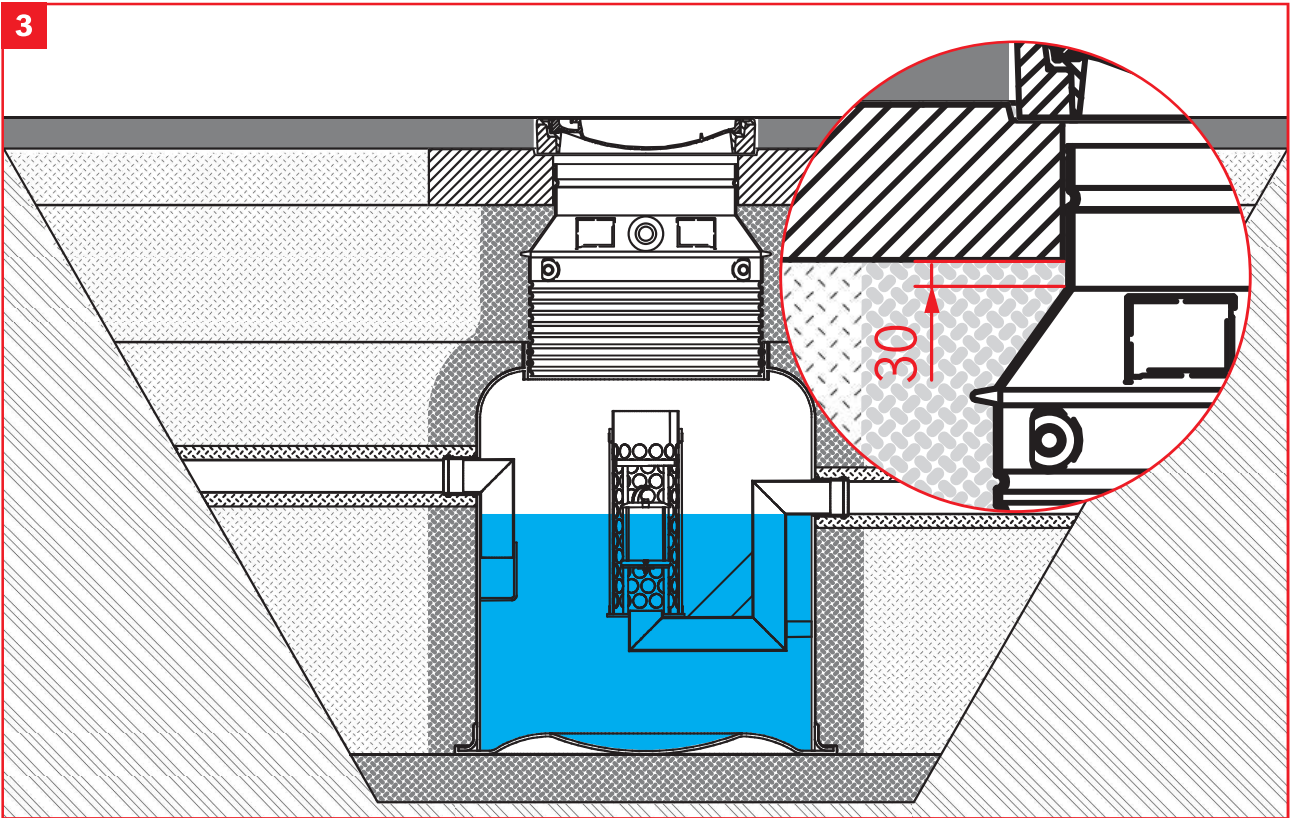
Compacted soil








Soil



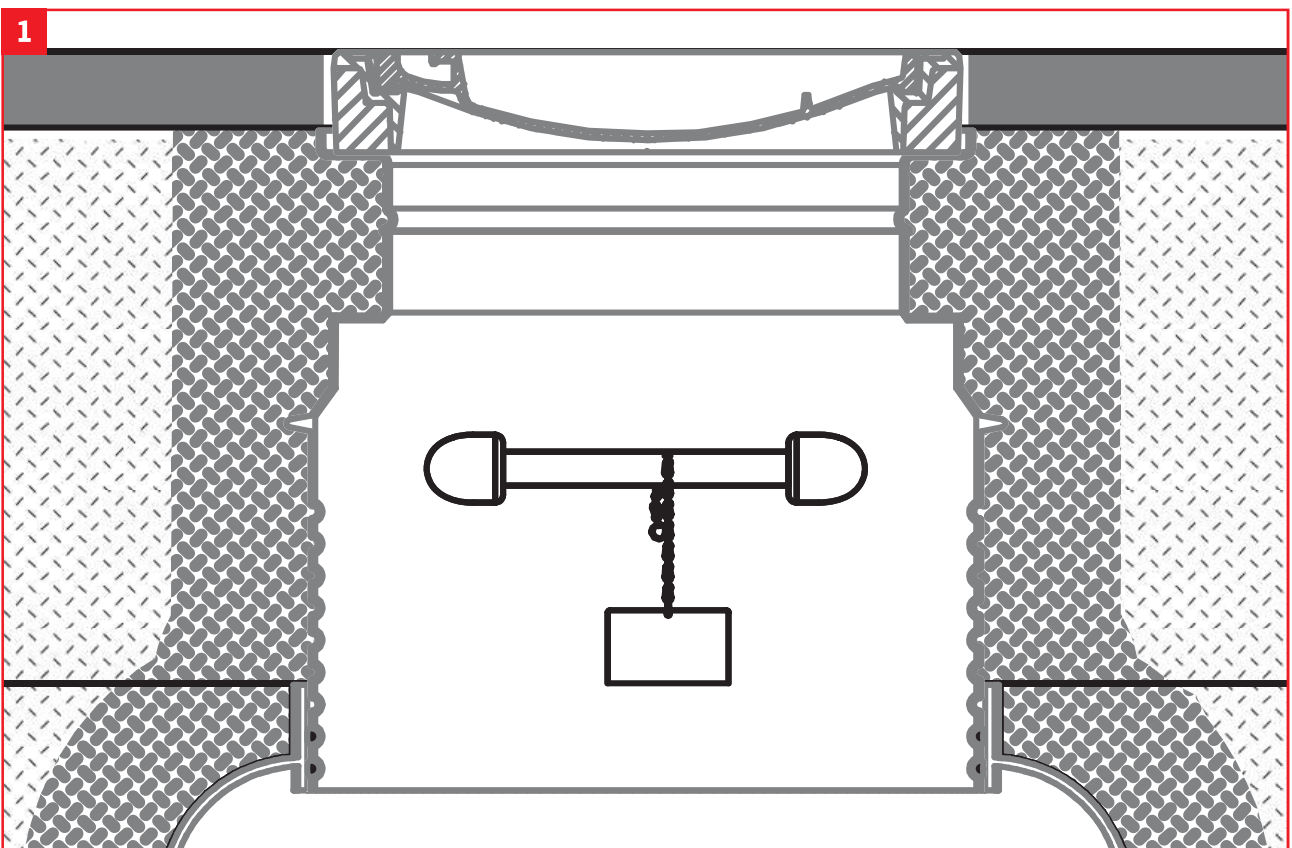
TOP SECTION INSTALLATION D 400





-  Final surface
-  Water
-  Sand
-  Gravel 8 - 16 mm
-  Gravel 2 - 8 mm
-  Compacted soil
-  Soil

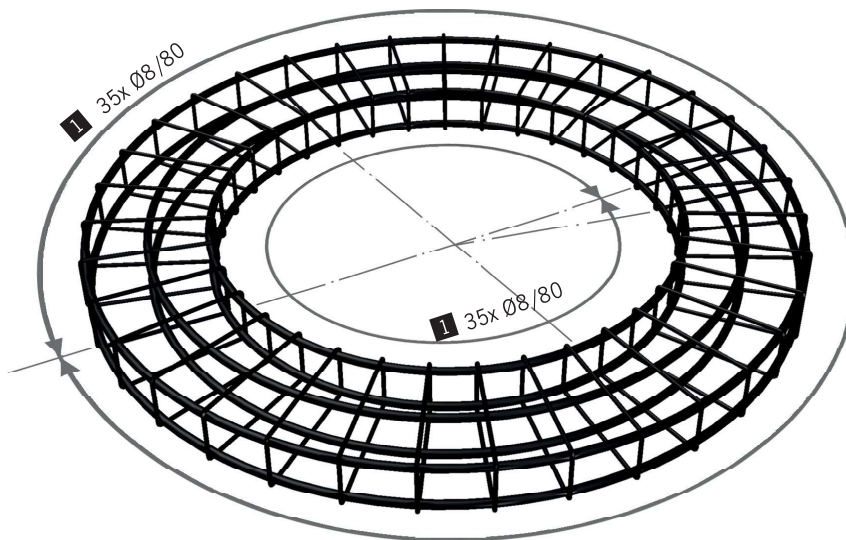
DESIGNATION LABEL



ADJUSTABLE CONCRETE RING - D 400

1

REINFORCEMENT PLAN



APPLICATION

If a load distribution plate has to be provided locally, the following notes have to be observed:

LOAD DISTRIBUTION PLATE Ø1550 / 650 x 200

Exposure: **SLW 60** as per **DIN 1072**

Concrete: **C 35/45**

Concrete steel: **BSt 500 / 550 (A)**

Concrete cover: **nom c=30mm**

Exp. classes: **XC2; XF2; XA2**

WELDED CONNECTION

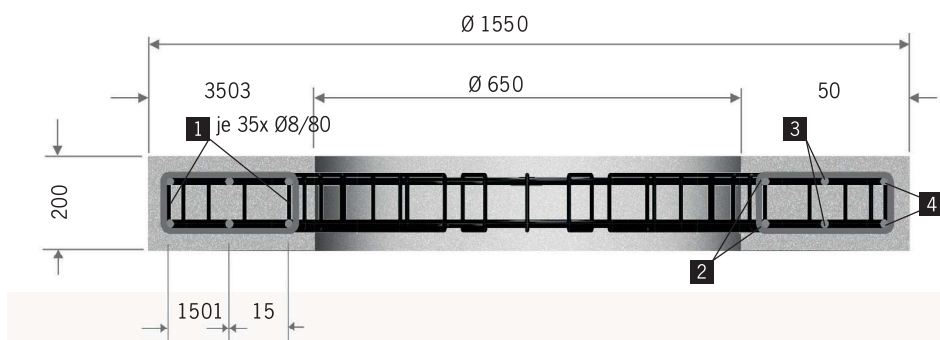
Caution!

Welded connections may only be carried out at upper reinforcement.

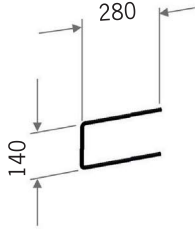
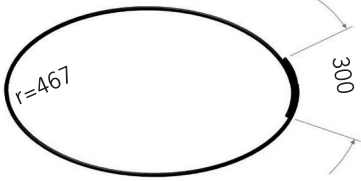
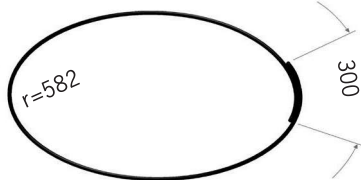
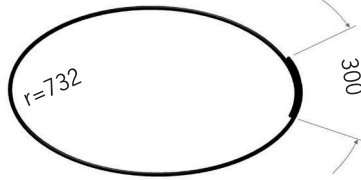
For all welded connections, DIN 1045-1 para 9.2.2 applies (particularly table 12 lines 3 and 7).

2

CROSS-SECTION

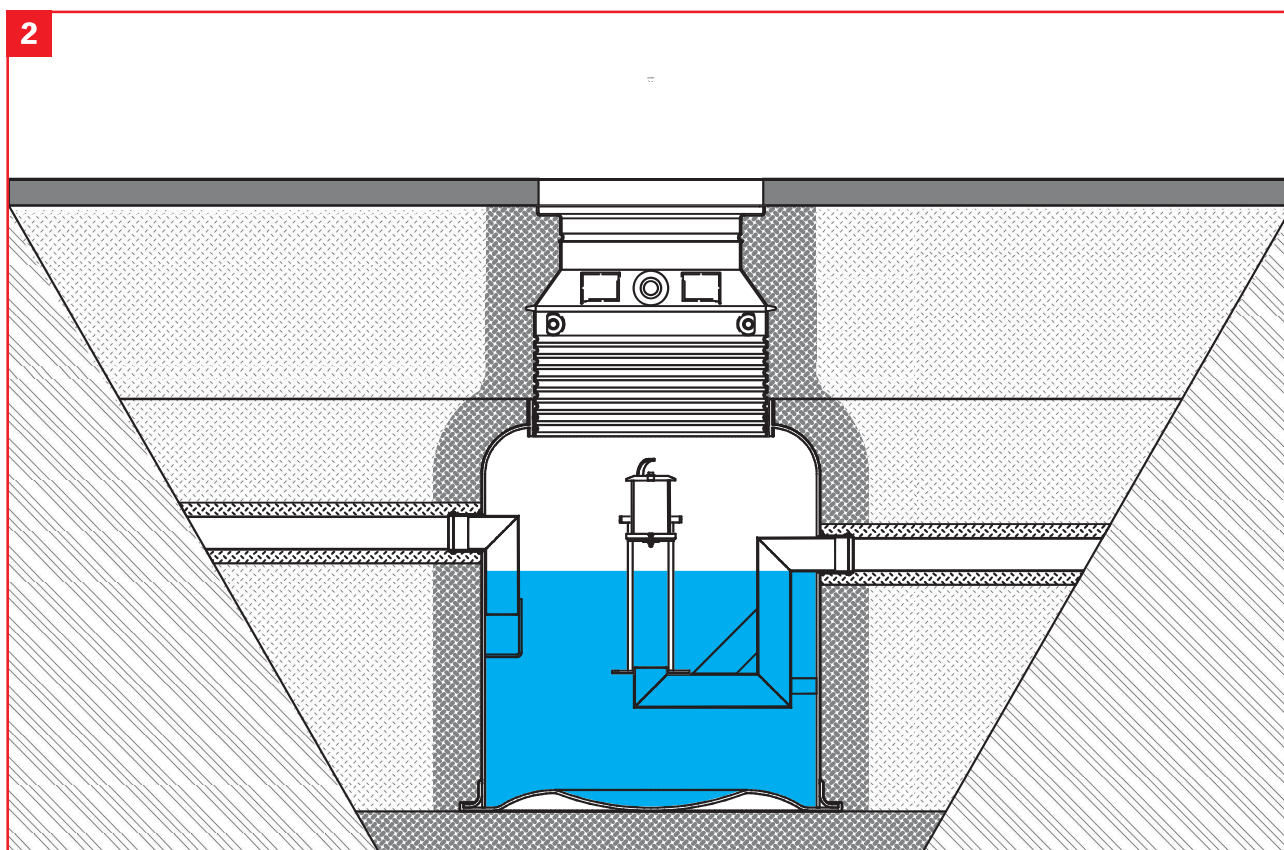
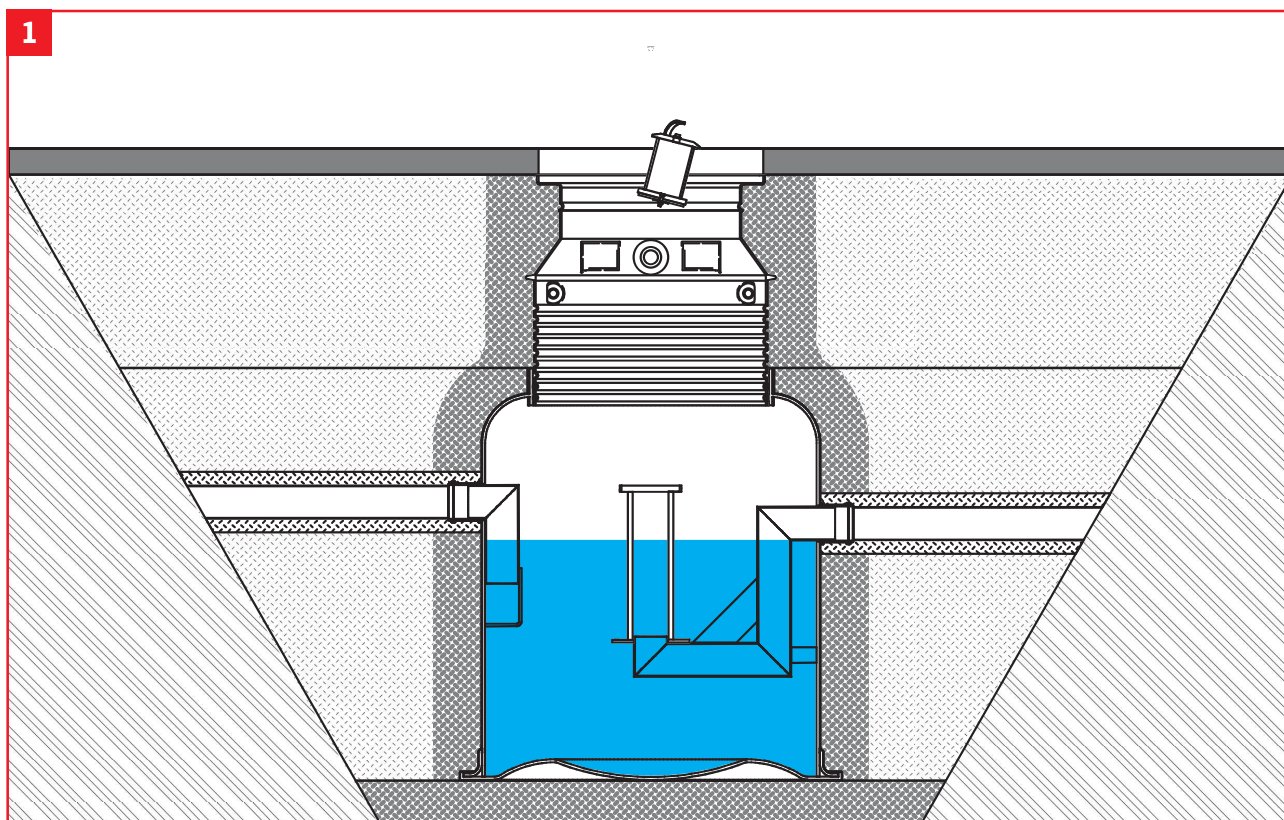


ADJUSTABLE CONCRETE RING - D 400

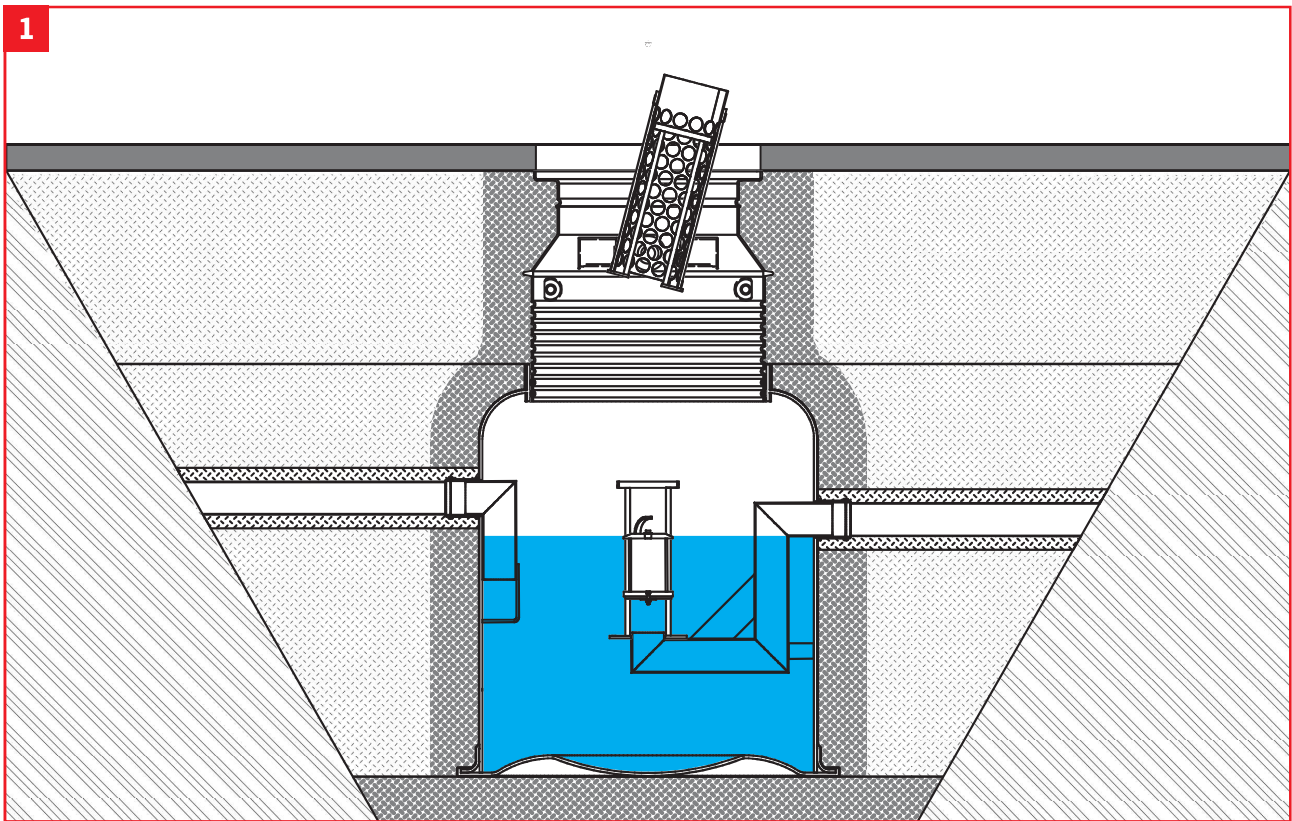
ITEM NO.	QUANTITY	Ø	LENGTH	TOTAL LENGTH [m]	d _{Br} /d _s	EXTERNAL DIMENSIONS AND INSIDE RADIUS IN (MM) DEFLECTION AS PER SIA 162/DIN 1045
1	70	8	0,70	49,0	4	
2	2	8	3,23	6,46		
3	2	8	3,95	7,90		
4	2	8	4,90	9,80		

Total length: $\Sigma \emptyset$ - 73.16 m; total weight: 28.9 kg

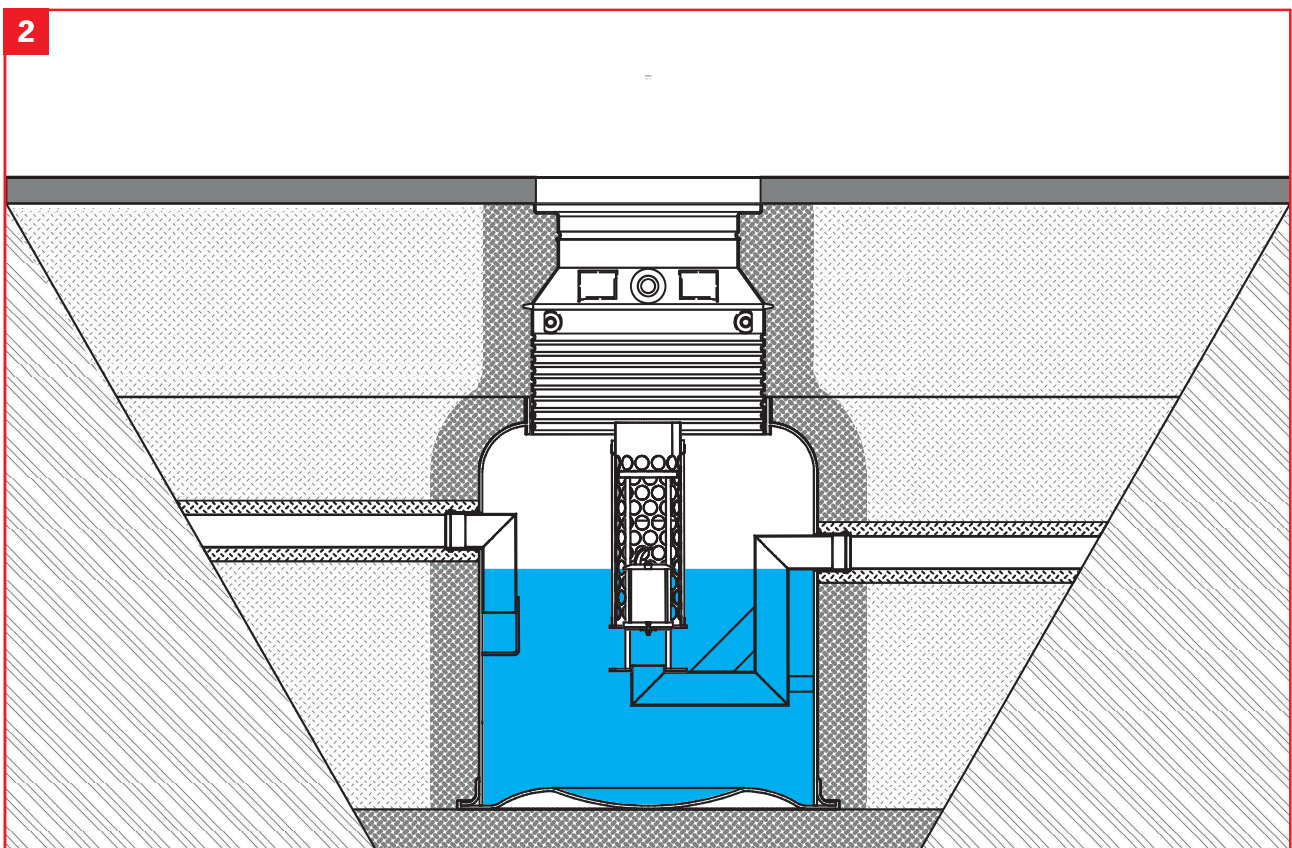
FILL WITH WATER



REPLACING THE COALISATOR



-  Final surface
-  Water
-  Sand
-  Gravel 8 - 16 mm
-  Gravel 2 - 8 mm
-  Compacted soil
-  Soil



ACO Industries Tábor s.r.o.

Prumyslova 1158
391 01 Sezimovo Usti
Czech Republic

www.aco.com

ACO. The future of drainage

All reasonable care has been taken in compiling the information in this document. All recommendations and suggestions on the use of ACO products are made without guarantee since the conditions of use are beyond the control of the Company. It is the customer's responsibility to ensure that each product is fit for its intended purpose and that the actual conditions of use are suitable. This brochure and any advice is provided free of charge and accordingly on terms that no liability (including liability for negligence) will attach the Company or its servants or agents arising out of or in connection with or in relation to this brochure or any such advice. Any goods supplied by the Company will be supplied solely upon its standard conditions of sale, copies of which are available on request. The Company's policy of continuous product development and improvement renders specifications liable to modification. Information provided in this brochure is therefore subject to change without prior notification.