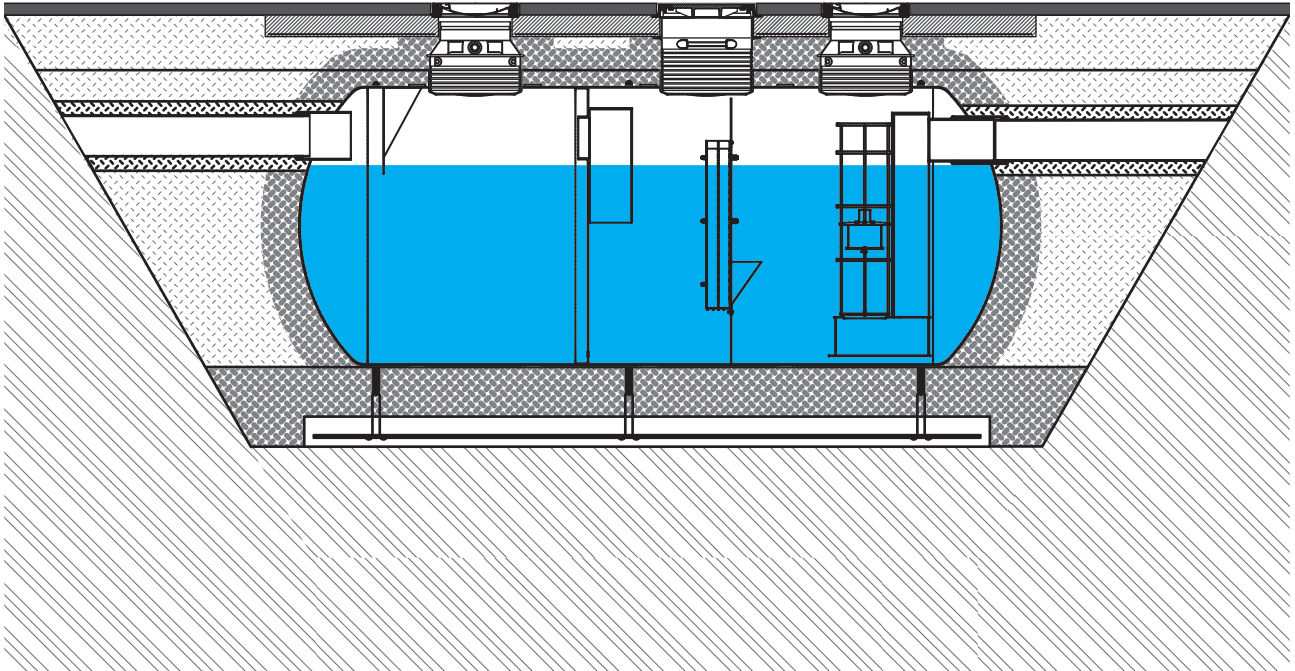


Installation manual

ACO Oleopator G-H



CONTENT



CONTENT	2
STRUCTURE AND COMPONENTS	3
INSTALLATION IN GENERAL	4
Application	
Proper use includes	
Staff	
Journal	
Technical Amendments	
Product Description	
Function	
Flexible application	
STRUCTURE - B 125 / D 400	5
DIMENSIONS - B 125 / D 400	5
LEGEND	6
TANK INSTALLATION	6
TOP SECTION INSTALLATION	9
ALARM CONNECTION	11
TOP SECTION INSTALLATION FOR LOAD CLASS - B 125 / D 400	12
DESIGNATION LABEL	14
INSERTING THE CLOSING DEVICE	15

Note:

Read this manual before installing the Oleopator G-H.

This manual is for the ACO prefabricated light oil separator Oleopator G-H.

This manual should be used when installing the Oleopator G-H. This manual should be kept available at the workplace / installation site. Installation of the Oleopator G-H must be performed by qualified installers.

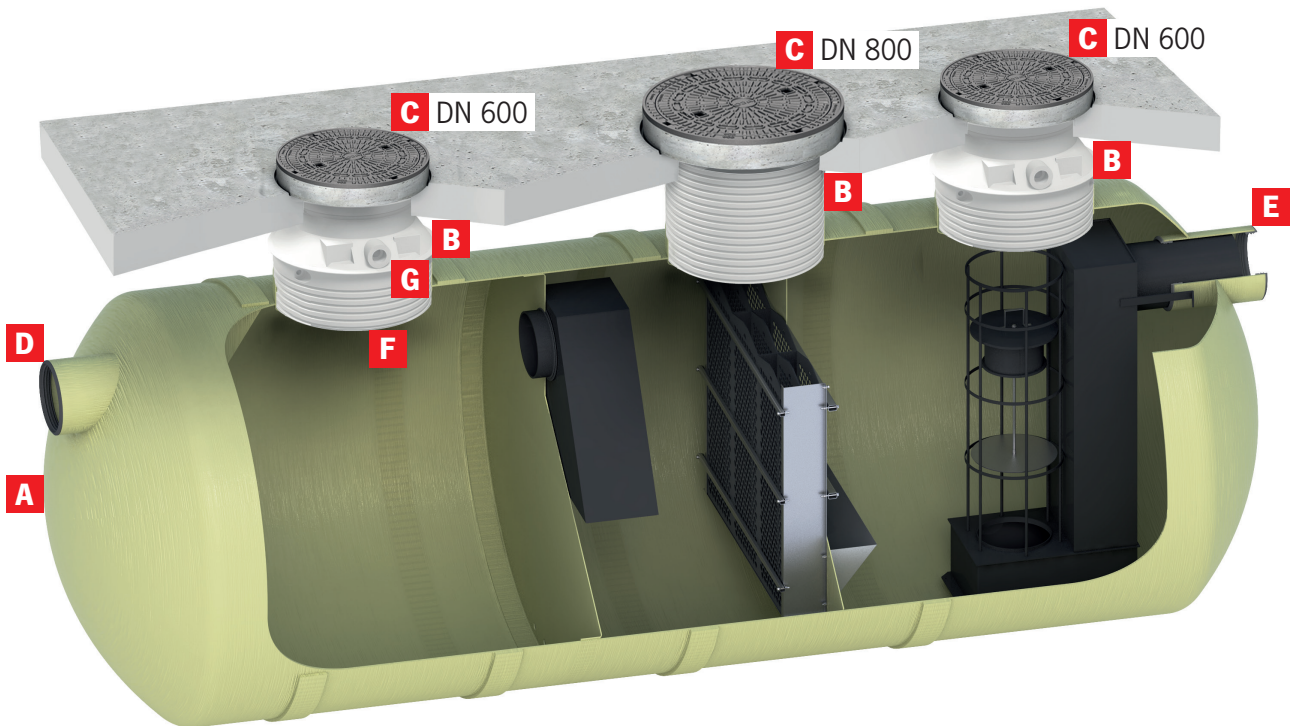
Provisions under applicable laws should be followed in order to prevent accidents and protect the environment.

Terms and Conditions:

Any change or alteration made to the Oleopator G-H by the consumer without ACO's specific approval will void all warranty obligations.



STRUCTURES AND COMPONENTS



**ACO Oleopator G-H
B 125 / D 400**

- A Light Oil Separator
(bottom part)
- B Extension shaft
- C ACO Cover B 125 / D 400
and load protection slab
- D Inlet
- E Outlet
- F Designation Label
- G Slot for alarm connection
(optional)

INSTALLATION IN GENERAL

Application

The light oil separator Oleopator G-H is designed for the treatment of wastewater that contains light oil such as can be found in food industries, caterers, restaurants, snack bars, bakeries, etc.

Use of this light oil separator for any other purposes is prohibited. The manufacturer is not liable for any damages caused by misuse. Responsibility falls entirely upon the operator.

Terms and Conditions:

- Compliance with national laws and regulations;
- Compliance with all inspection and service instructions;
- Adhere to the manufacturer's installation, operation and maintenance instructions.

Staff

Personnel who perform the installation, operation, maintenance and servicing of this light oil separator must possess the training needed to do these tasks and must understand the contents of this manual.

Journal

A record shall be established and include the following:

- Checks carried out by operational staff;
- Service and test reports;
- Any breakdowns and repairs.

Technical Amendments

ACO reserves the right to make ongoing technical modifications which may result in differences between published text and/or images, and the product.

Product Description

The light oil separator Oleopator G-H is designed for installation in the ground. The Oleopator G-H come with an integrated sludge trap, inlet and outlet connections, an extension neck made of PE HD.

Function

The Oleopator G-H light oil separator work on the gravimetric principle. Sludge and heavier particles sink to the bottom, while light oil which is lighter than water rises to the surface. Treated water flows out.

Flexible application

(according to EN 124)

▪ Load classes

B 125

Footways that can be mounted by vehicle or livestock and light tractor paths

D 400

Carriageways of roads and areas open to commercial vehicles

Load class

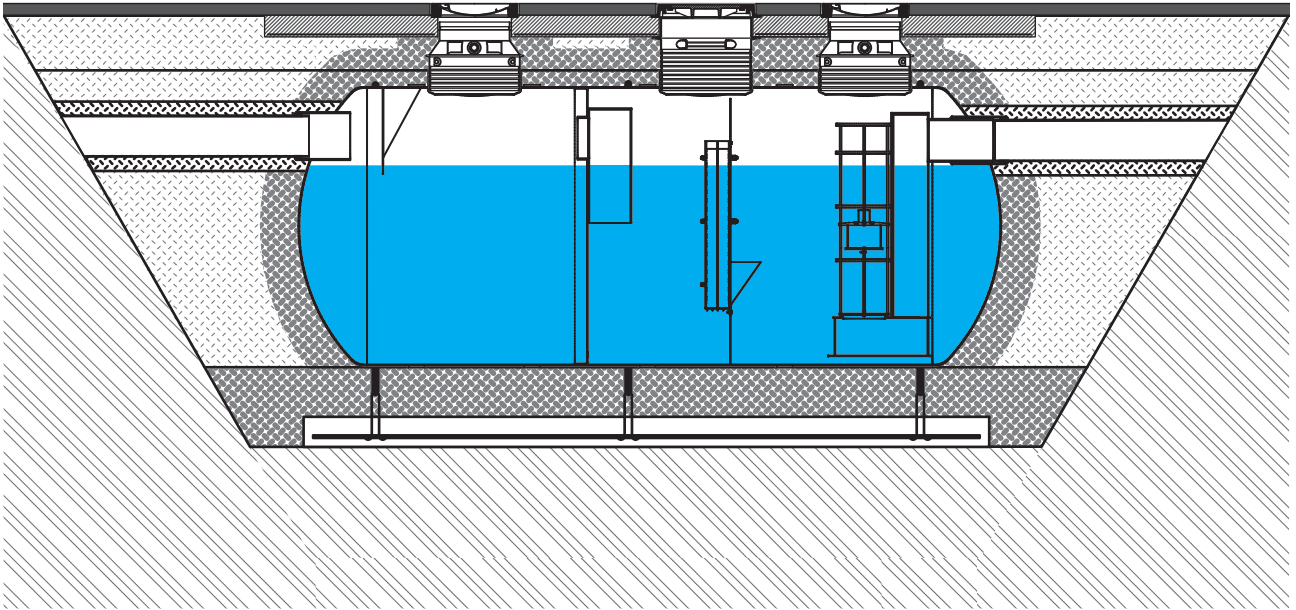


B 125

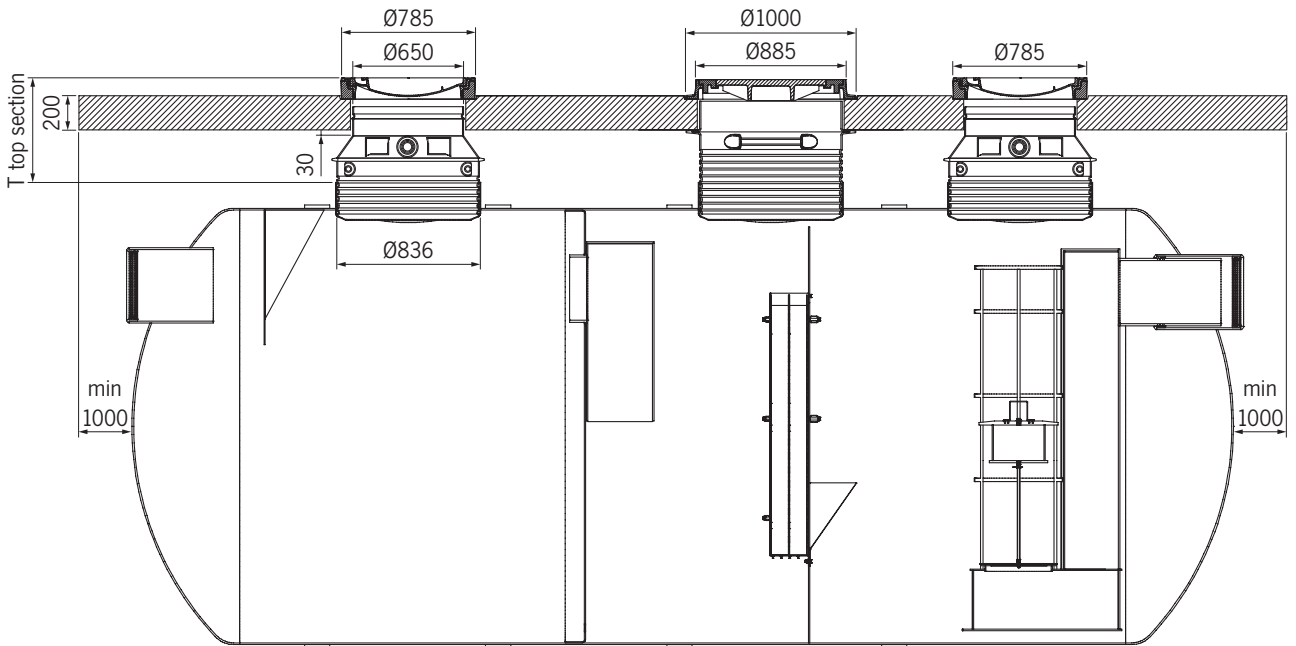


D 400

STRUCTURE - B 125 / D 400










DIMENSIONS - B 125 / D 400




SIZE	B 125 / D 400 - T top section					
	DN 600		DN 800			
	MIN	MAX	MIN	MAX	MIN	MAX
Short	500	680	525	735		
Medium	500	1130	-	-		
Long	500	1730	500	1645		

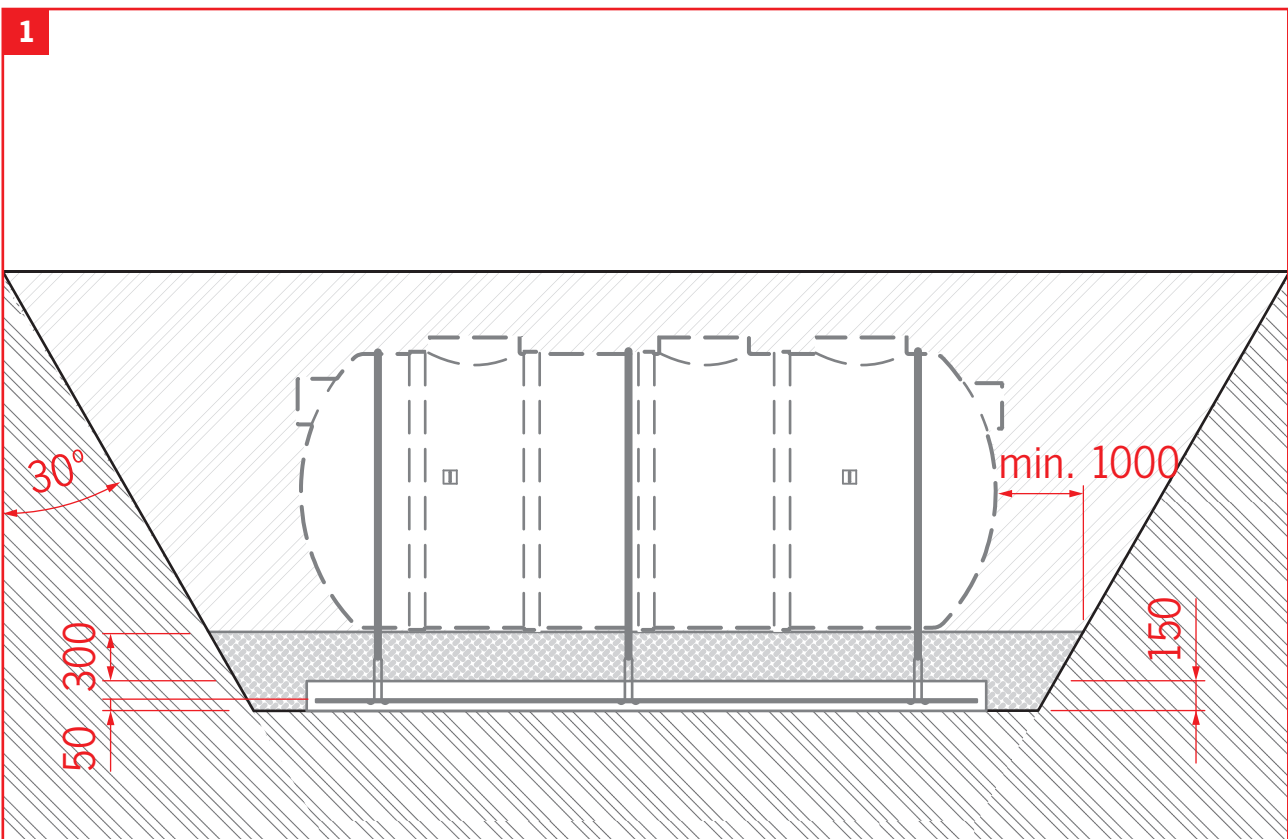


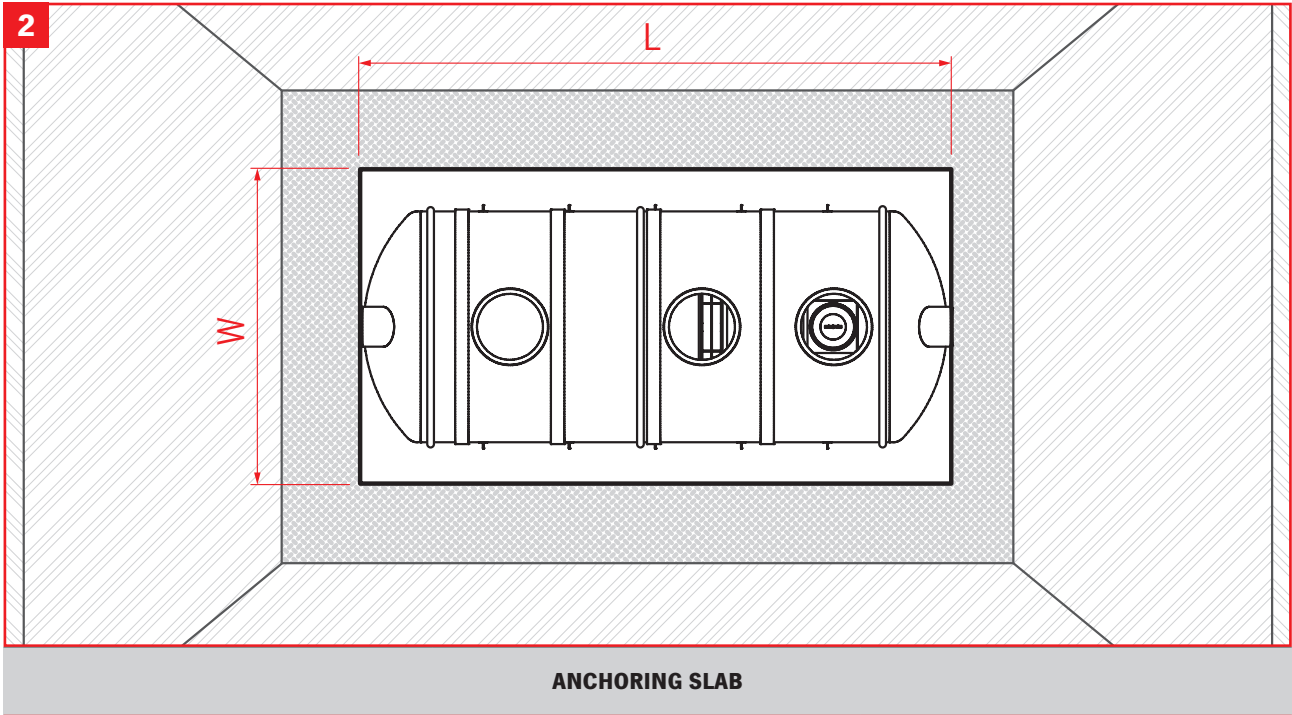
LEGEND

LEGEND - LAYERS	
	Soil
	Compacted soil
	Gravel 2 - 8 mm
	Gravel 8 - 16 mm
	Sand
	Water
	Final surface

SAND / GRAVEL 8-16 mm			
Table CE/3 Packing Tool	Layer Thickness	Passes / Layers	
 Hand stamp min. 15 kg	150 mm	4	
Vibrator stamp 70 kg	300 mm	4	
Vibrator flat 100 kg	150 mm	6	

TANK INSTALLATION



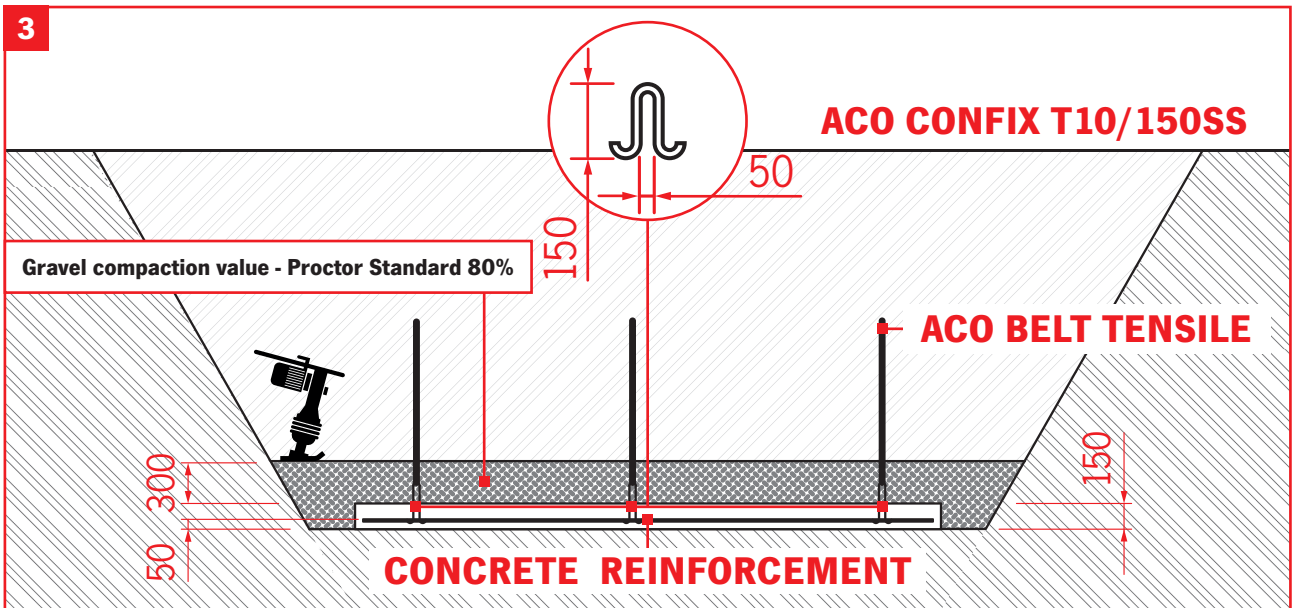


ANCHORING SLAB

Concrete K 30-2

Concrete reinforcement A500 HW T10
K150, 1 pcs. T10 around the edge,
T10 SS lugs for anchoring straps.

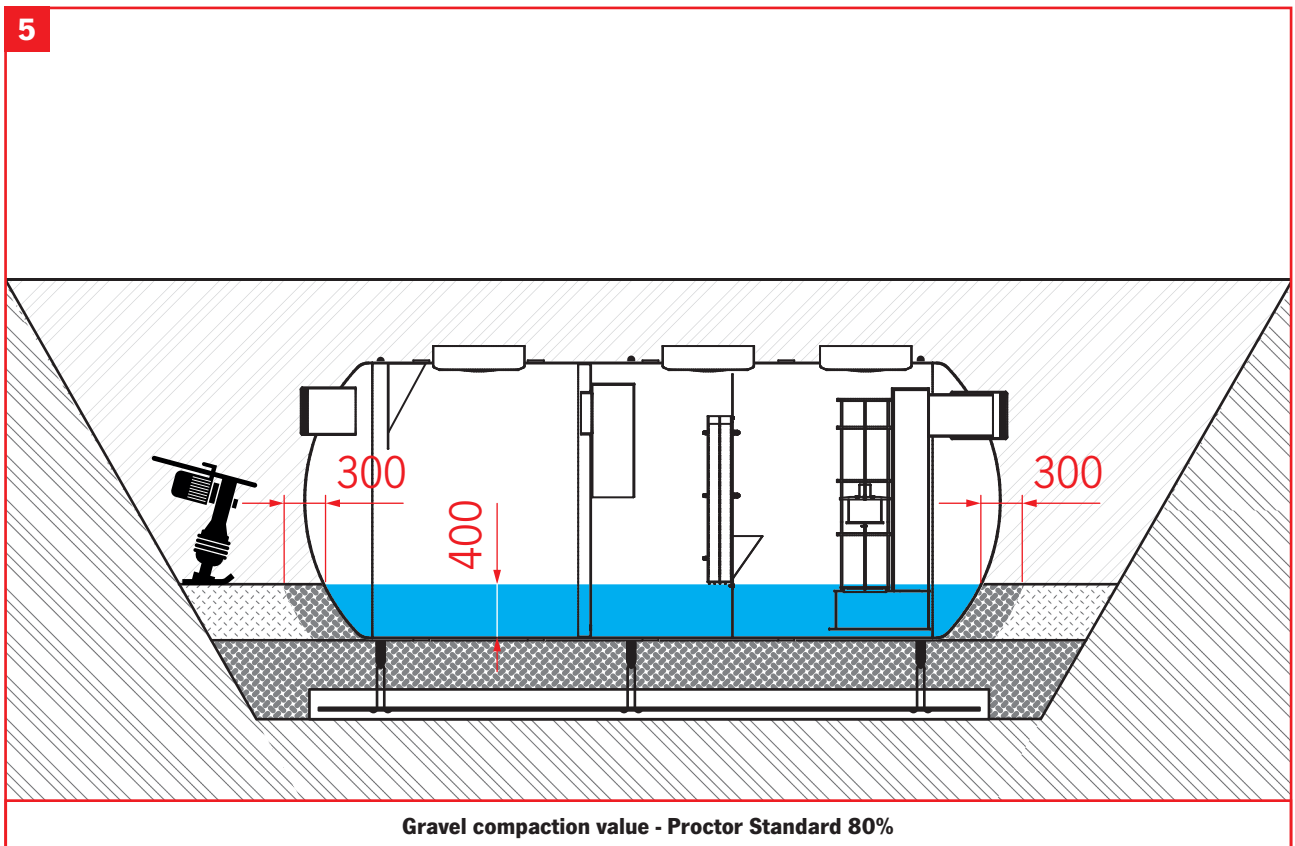
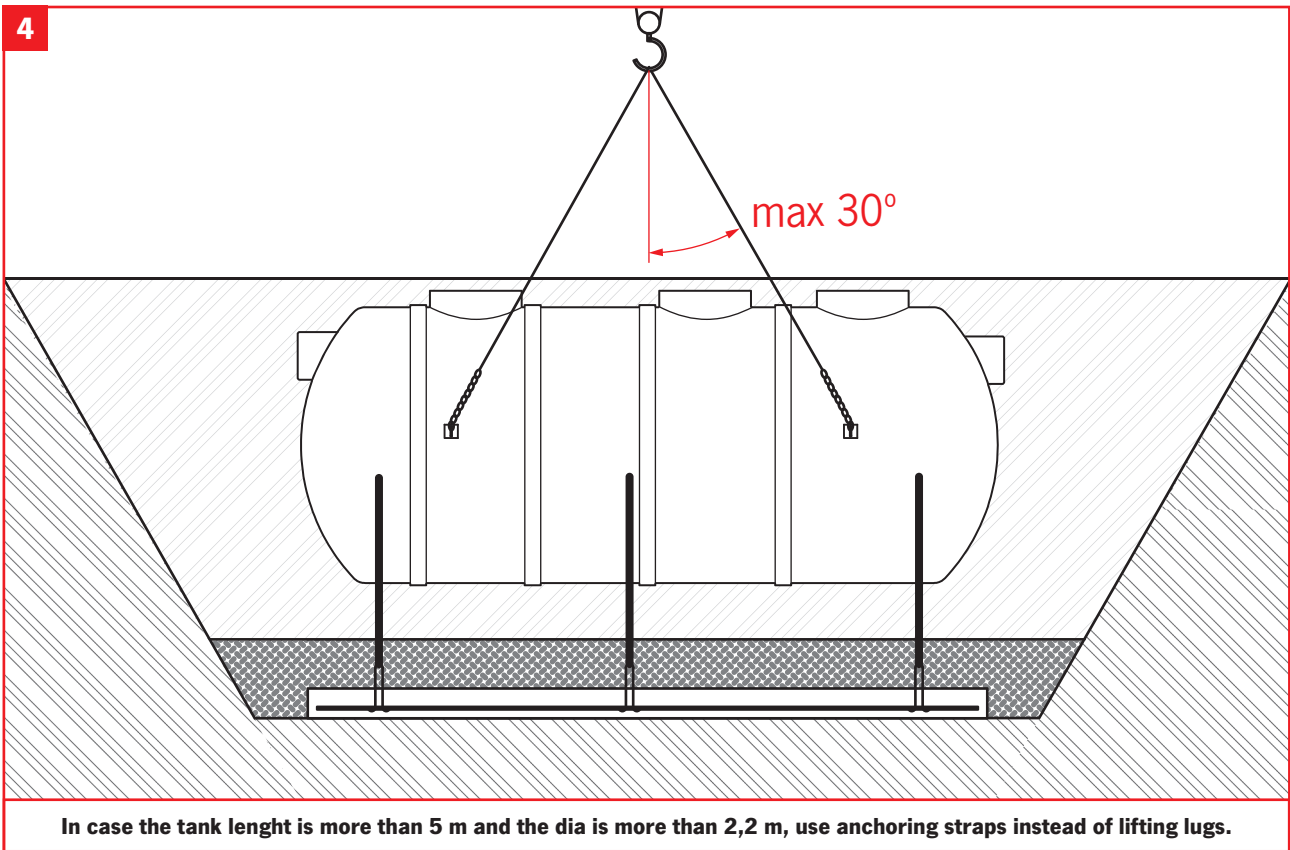
Dimensions according to separator:
W = Separator width + 200 mm
L = Separator length,
Thickness 150 mm

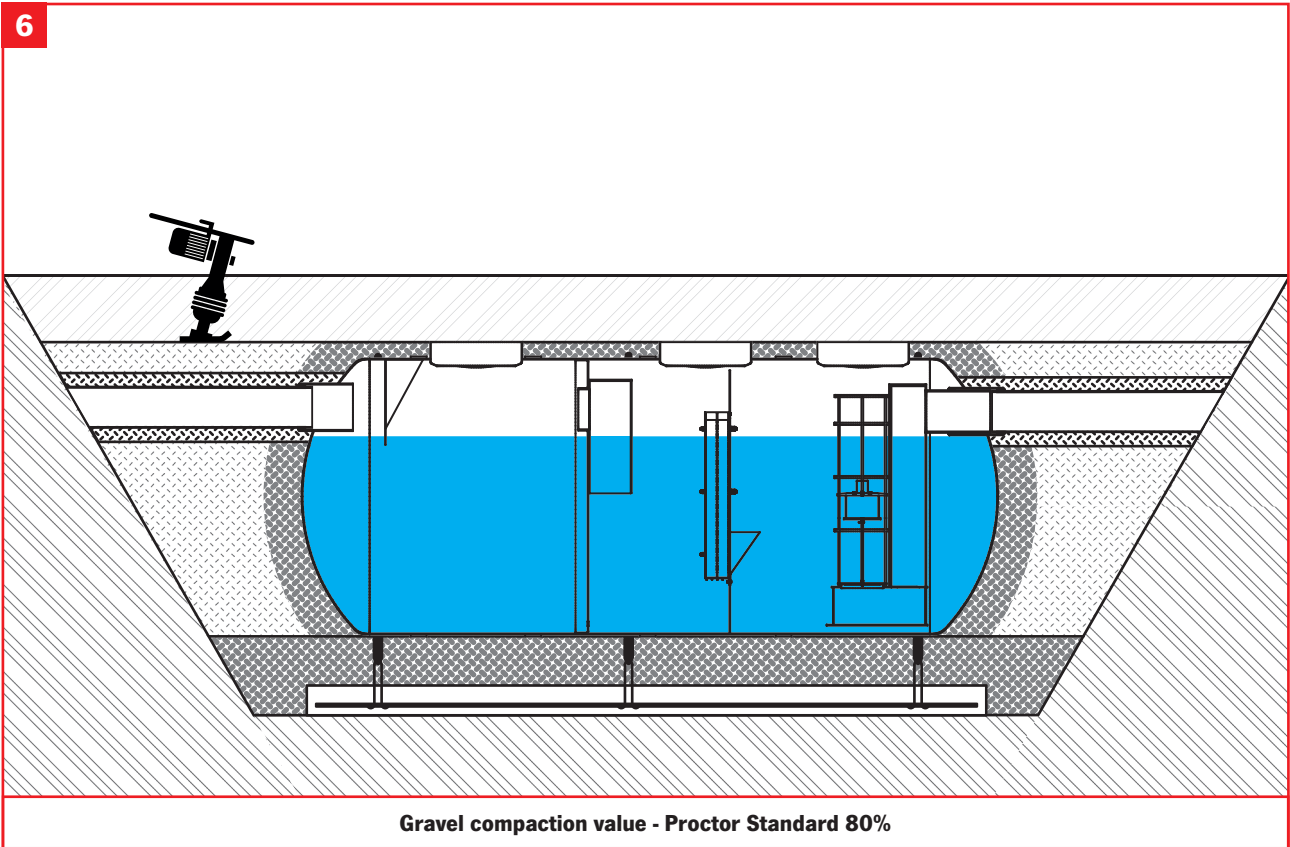


ACO OLEOPATOR G-H	ACO BELT TENSILE	ACO CONFIX / PCS
65	6	12
80	6	12
100	7	14

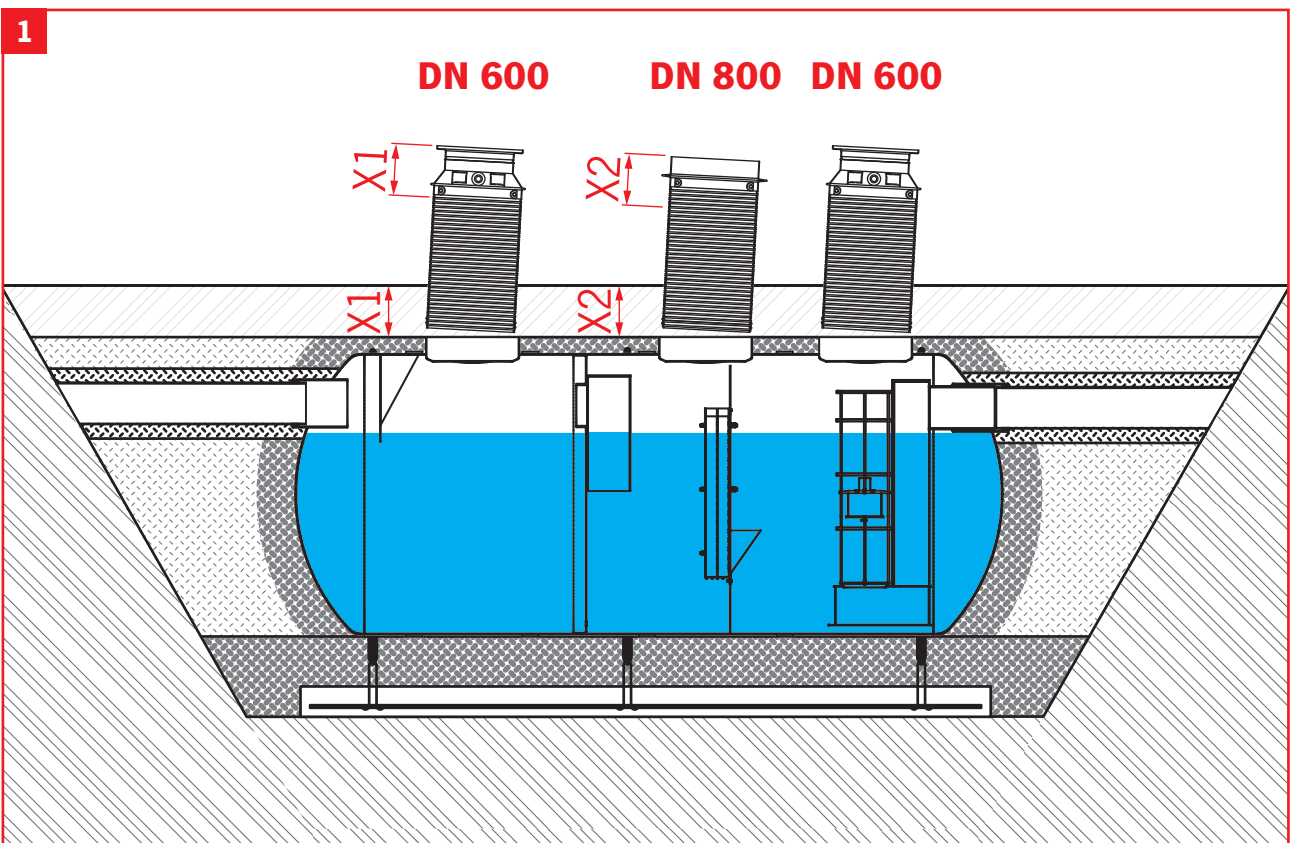


TANK INSTALLATION

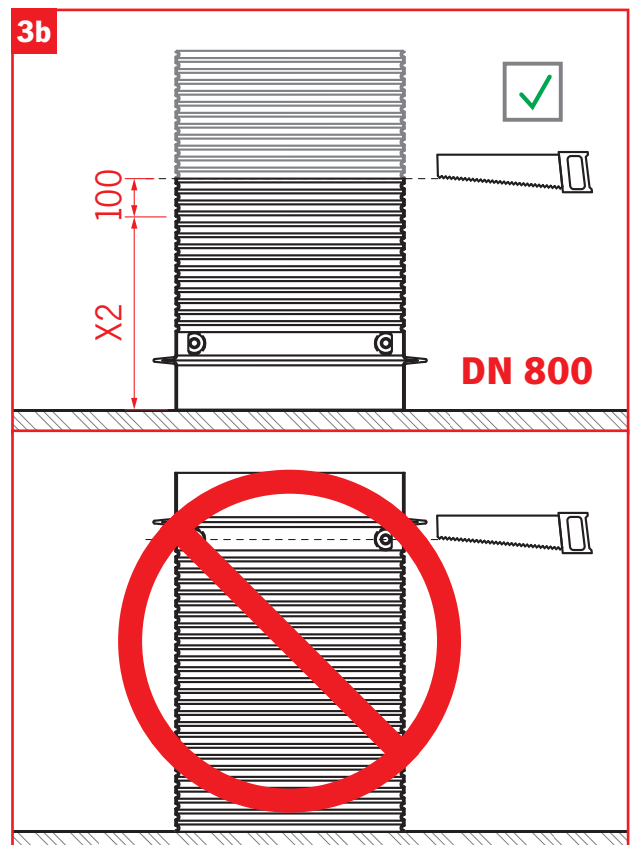
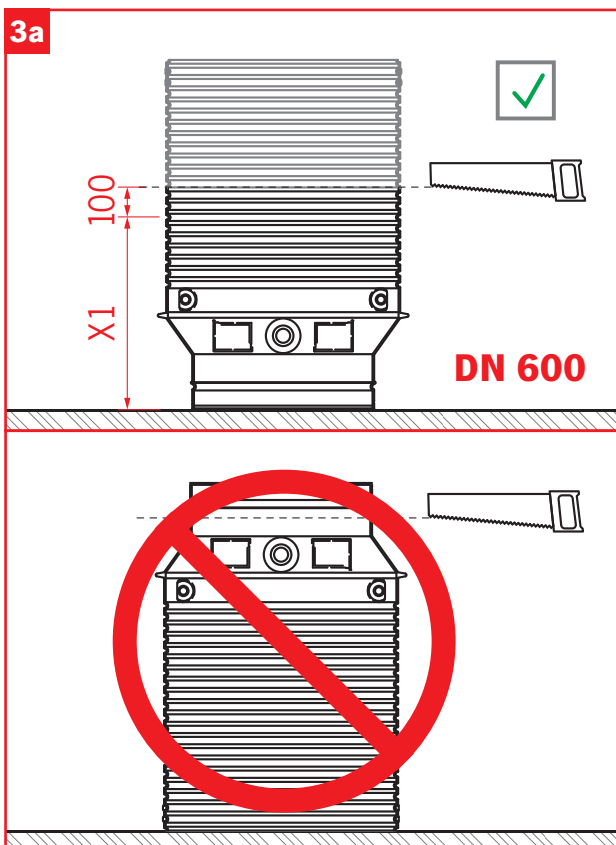
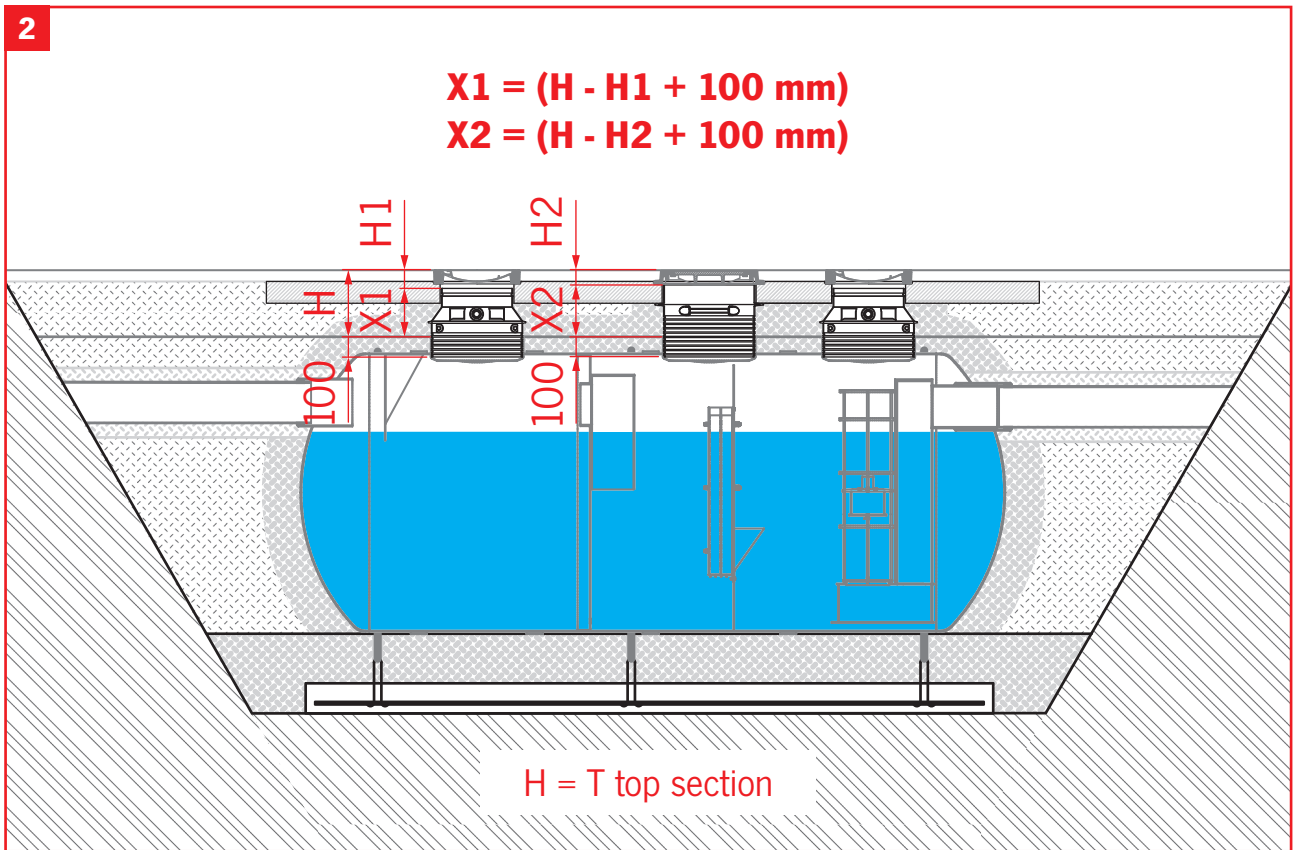


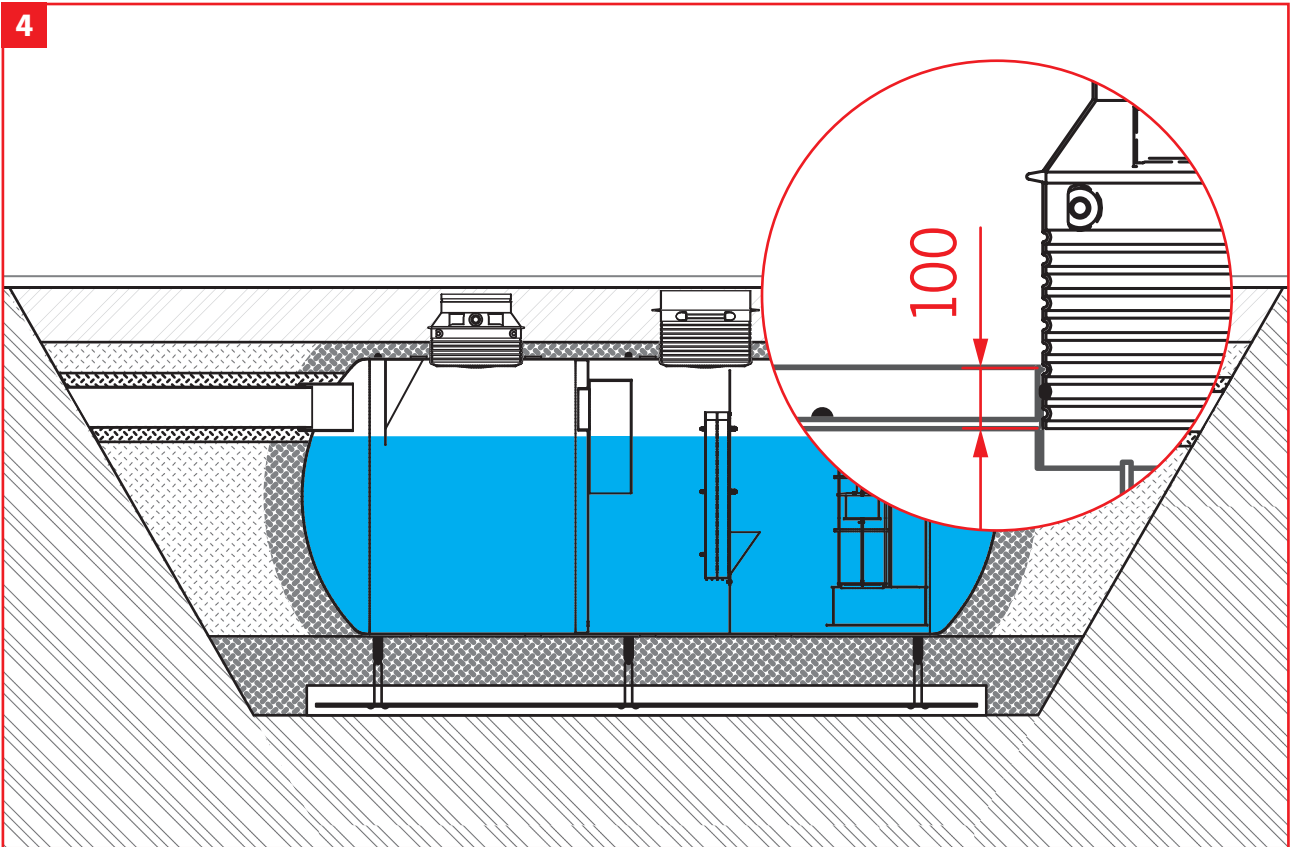


TOP SECTION INSTALLATION

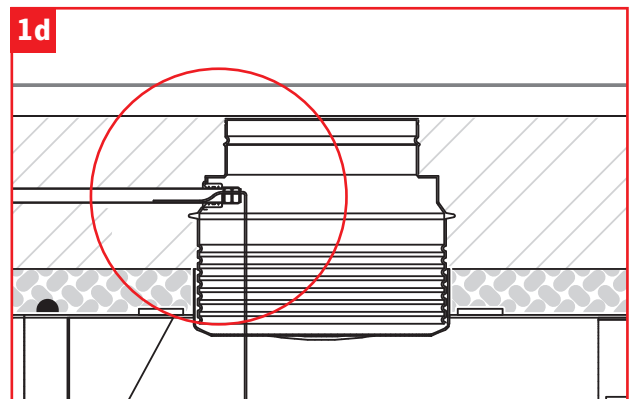
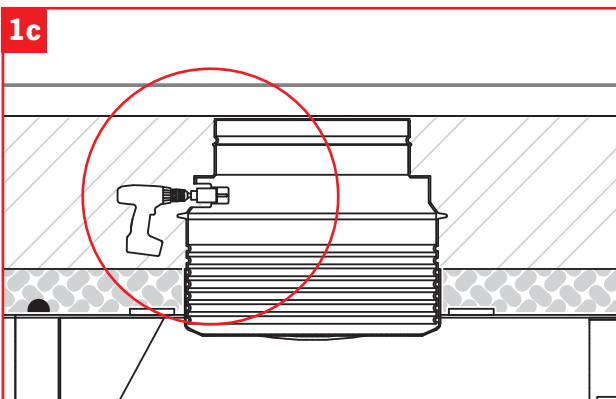
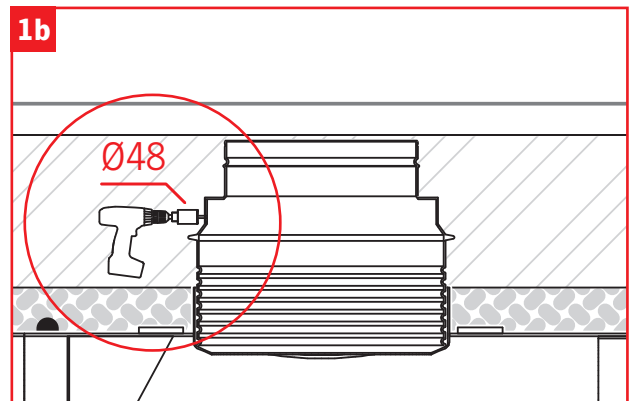
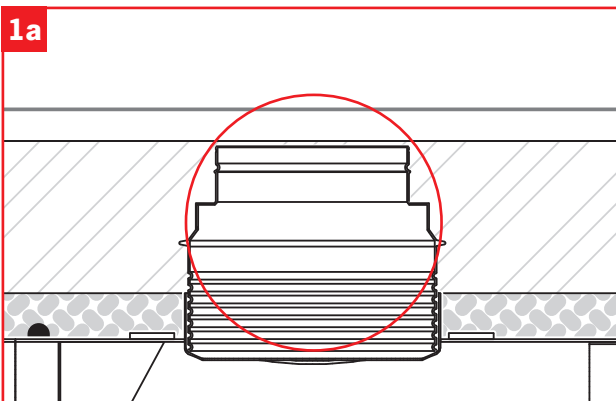


TOP SECTION INSTALLATION

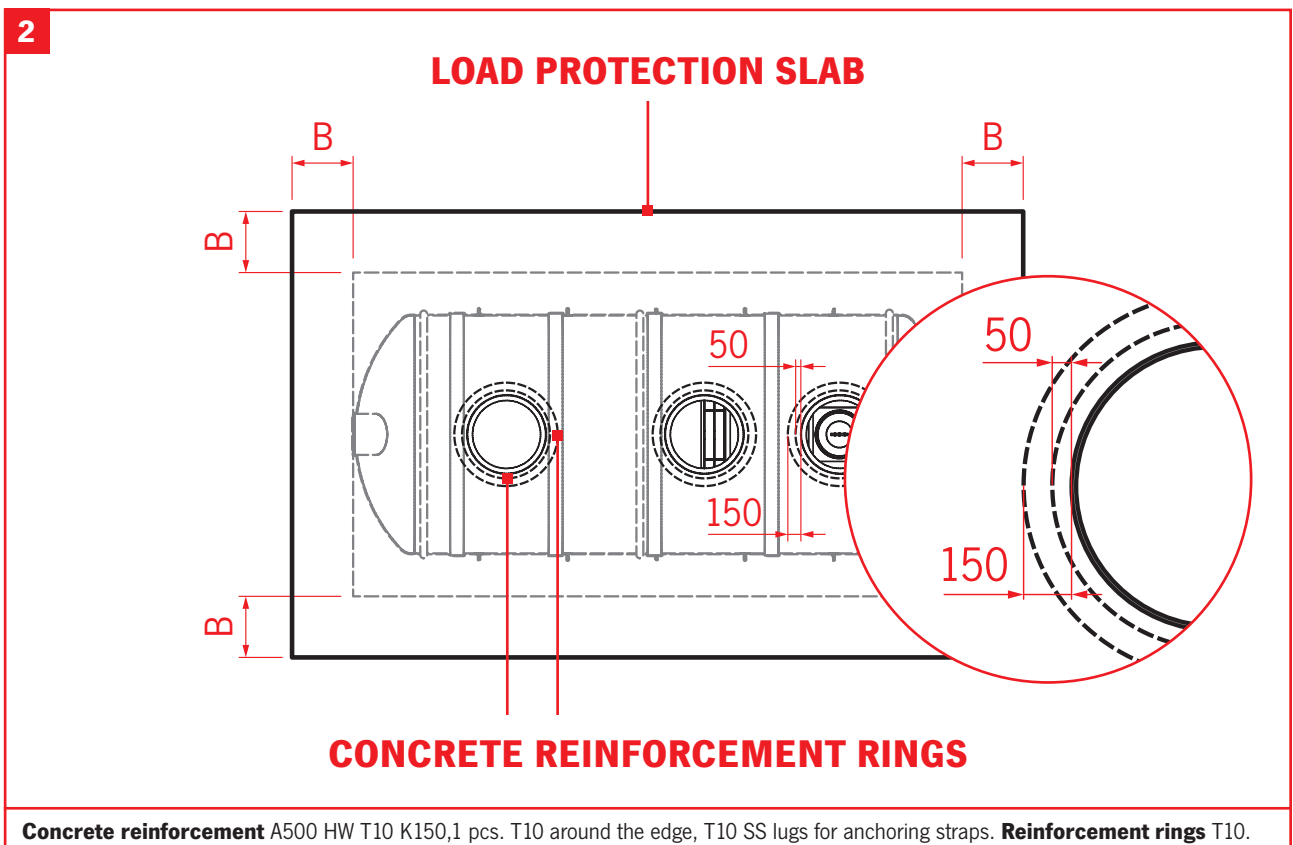
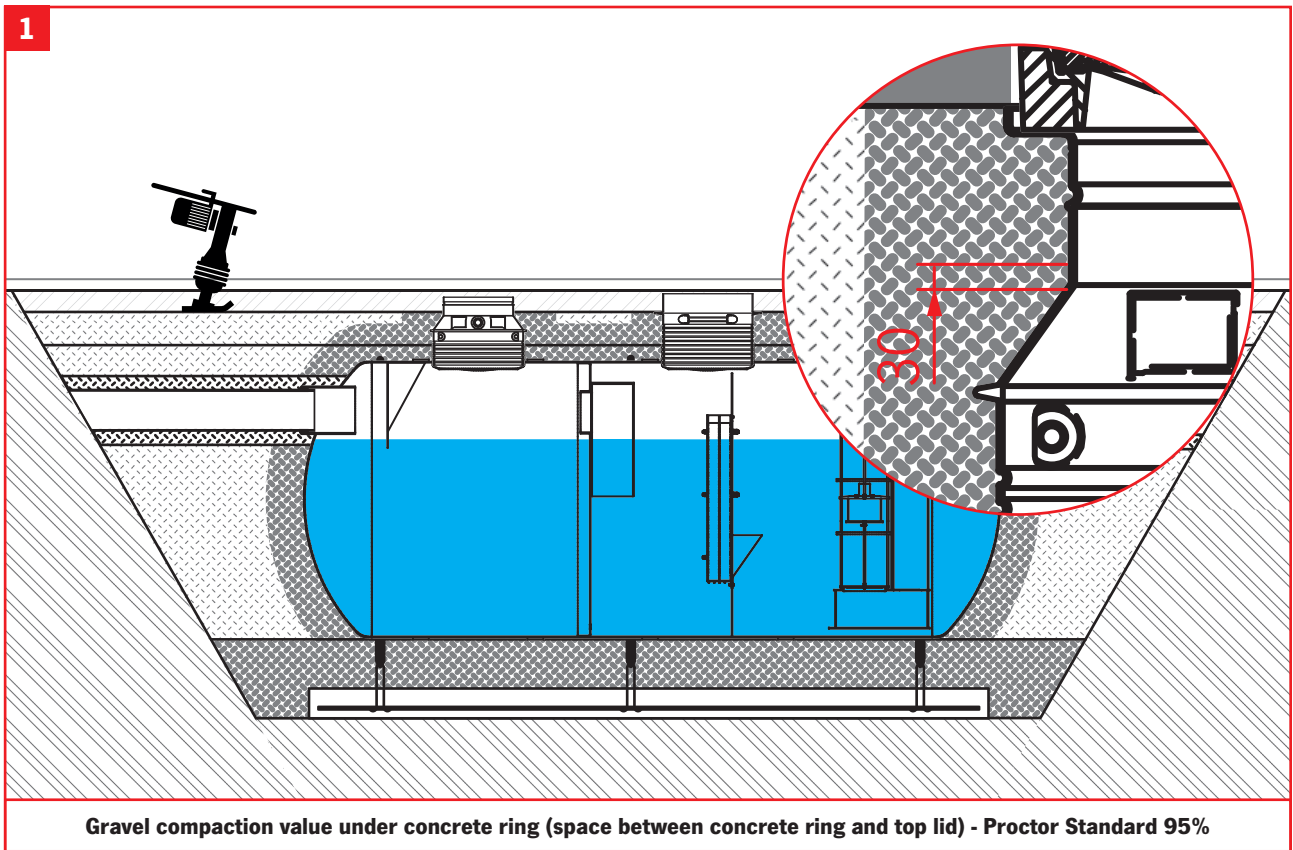


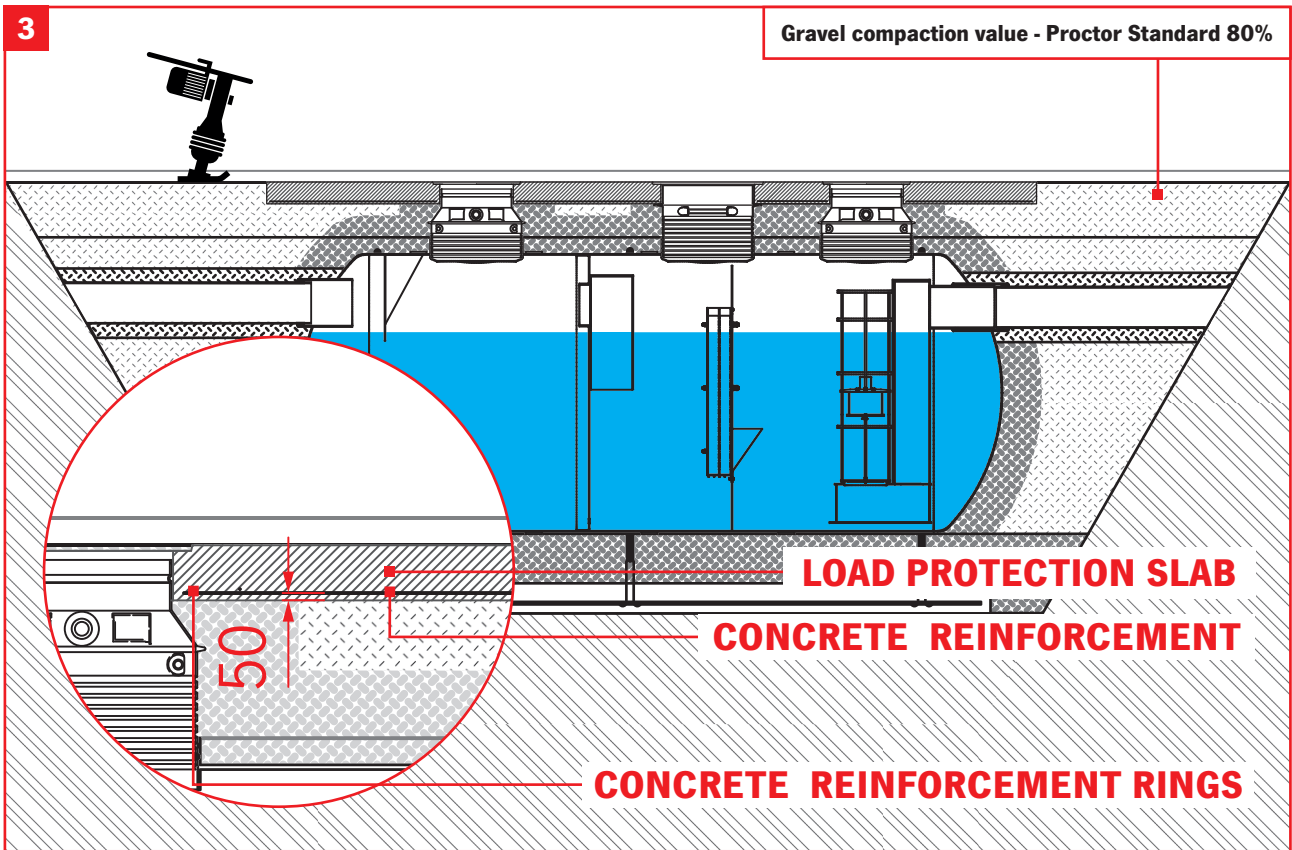


ALARM CONNECTION

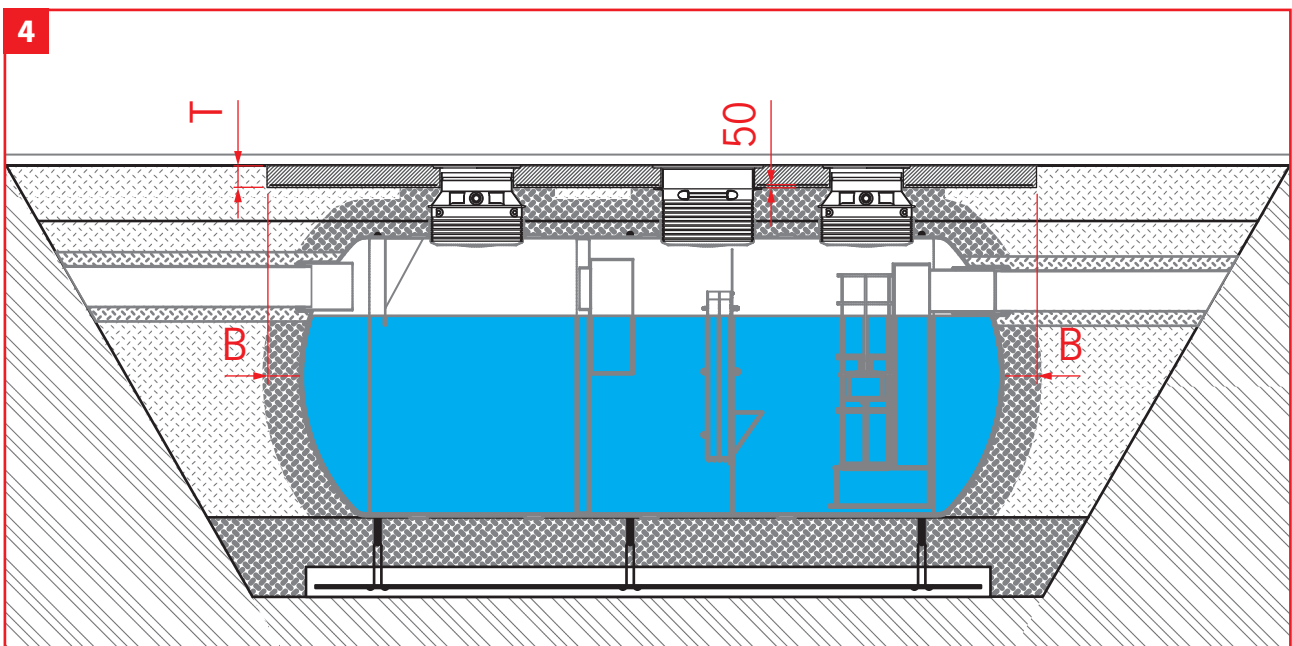


TOP SECTION INSTALLATION FOR LOAD CLASS - B 125 / D 400





- Final surface
- Water
- Sand
- Gravel 8 - 16 mm
- Gravel 2 - 8 mm
- Compacted soil
- Soil

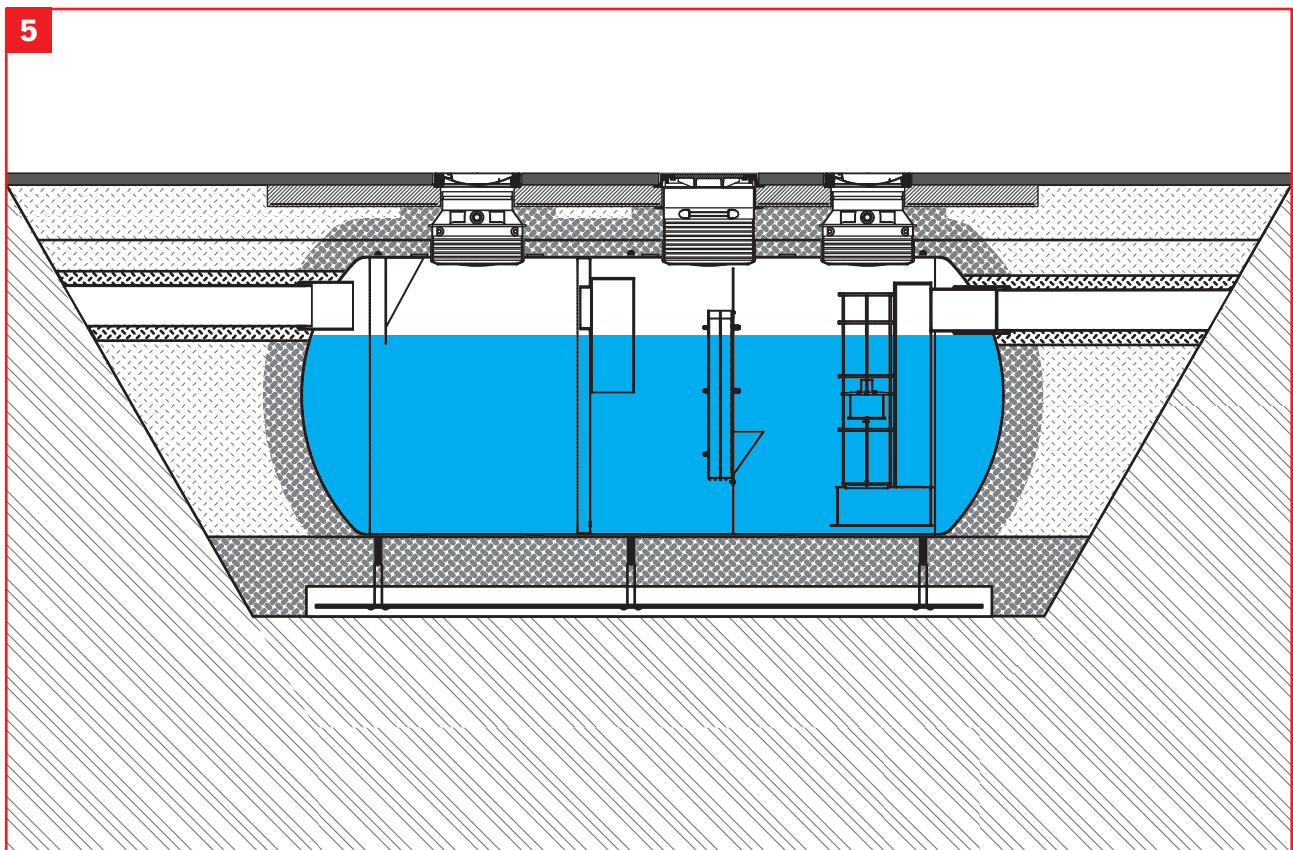


LOAD PROTECTION SLAB

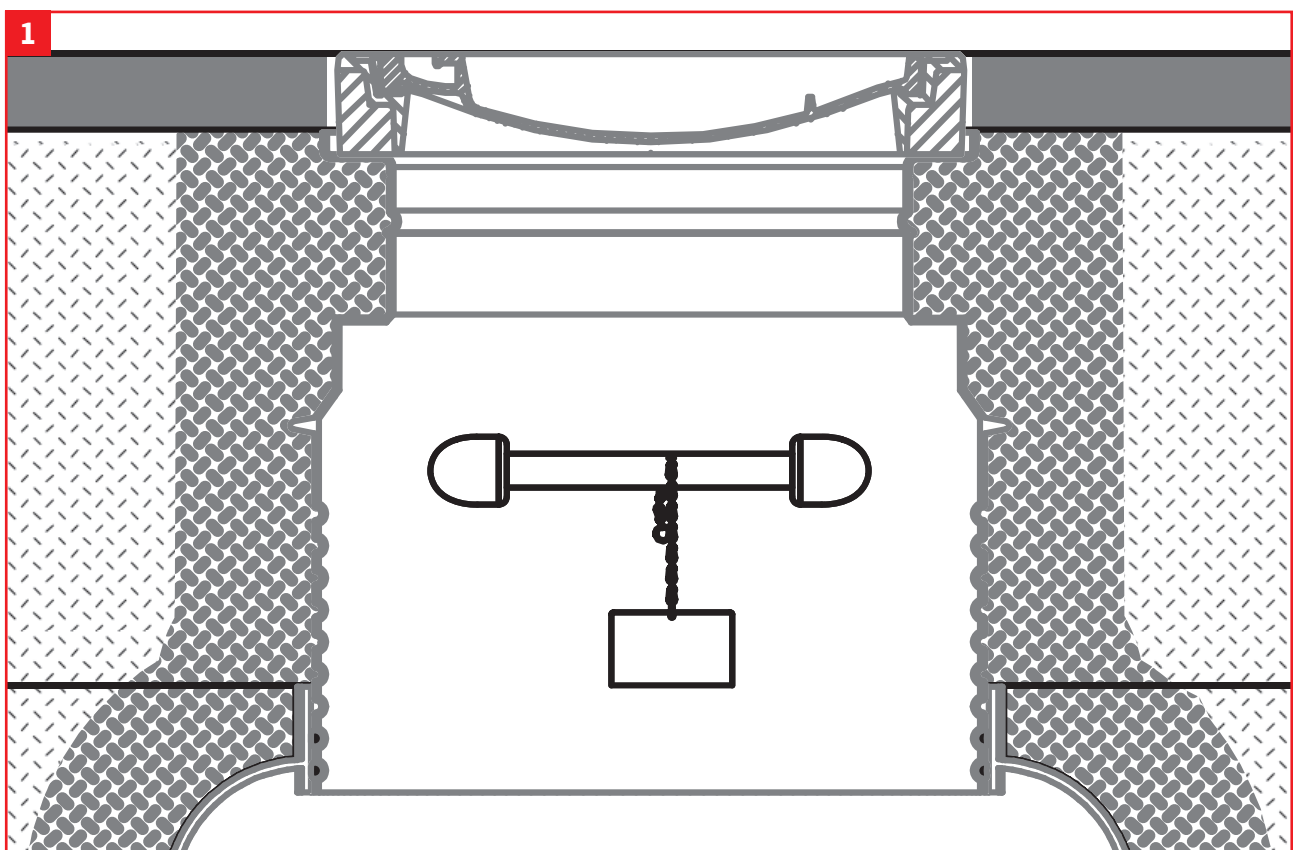
DIAMETER [mm]	T [mm]	B [mm]
≤ 1200	200	1000
≤ 1800	250	1000
≤ 2600	280	1000
≤ 3000	300	1000



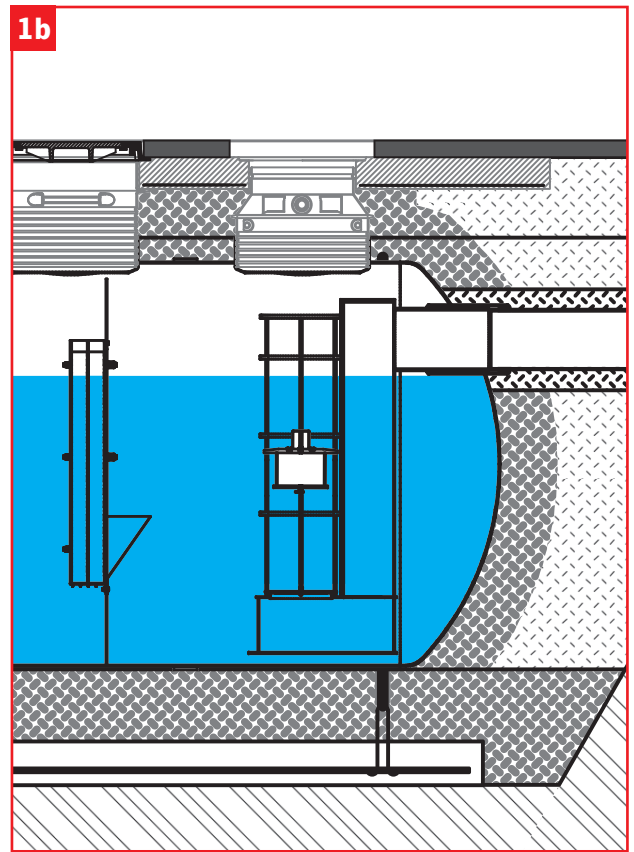
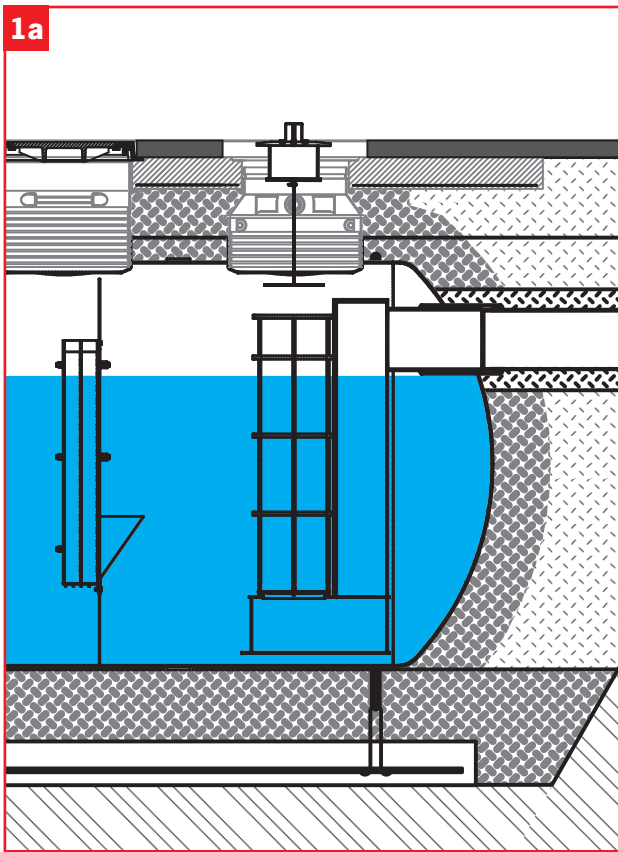
TOP SECTION INSTALLATION FOR LOAD CLASS - B 125 / D 400










DESIGNATION LABEL



INSERTING THE CLOSING DEVICE



-  Final surface
-  Water
-  Sand
-  Gravel 8 - 16 mm
-  Gravel 2 - 8 mm
-  Compacted soil
-  Soil



ACO Industries Tábor s.r.o.

Prumyslova 1158
391 01 Sezimovo Usti
Czech Republic

www.aco.com

ACO. The future of drainage

All reasonable care has been taken in compiling the information in this document. All recommendations and suggestions on the use of ACO products are made without guarantee since the conditions of use are beyond the control of the Company. It is the customer's responsibility to ensure that each product is fit for its intended purpose and that the actual conditions of use are suitable. This brochure and any advice is provided free of charge and accordingly on terms that no liability (including liability for negligence) will attach the Company or its servants or agents arising out of or in connection with or in relation to this brochure or any such advice. Any goods supplied by the Company will be supplied solely upon its standard conditions of sale, copies of which are available on request. The Company's policy of continuous product development and improvement renders specifications liable to modification. Information provided in this brochure is therefore subject to change without prior notification.