



*ACO Product catalogue*

**ACO AccuGully**

**Infiltration Gully**



# ACO AccuGully

## Typical applications:

- Helps to drain flooded ground (applicable at private driveways).
- Helps to absorb water from outdoor taps and other sources.

## Main benefits

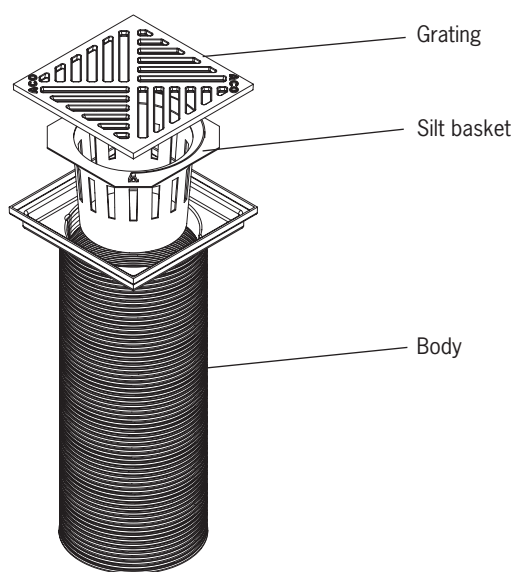
- No flooded surface anymore
- No foul air from public sewage
- No pipework necessary
- Complete with silt basket
- No connection to sewer system required
- Saves time and cost
- Value 11L

- Easy solution where low-capacity drainage is needed
- Infiltration Gully for use in gardens, backyards and private driveways

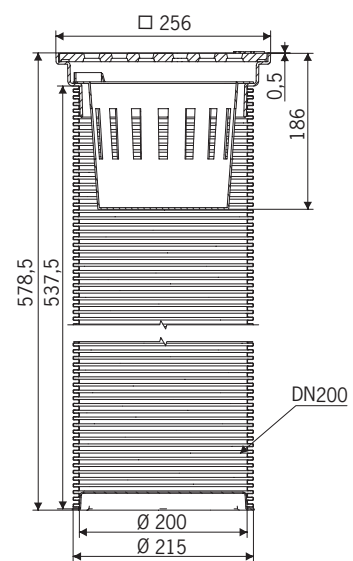
**Product requires no pipe work and no connection to the sewer system.**

Order No: 406 481

## Parts



## Dimensions



## Simple to Install

2

**1** Excavate

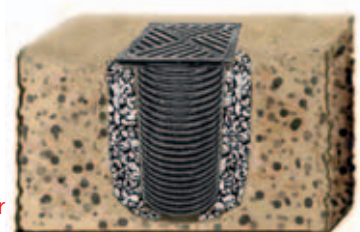


**2** Install the gully

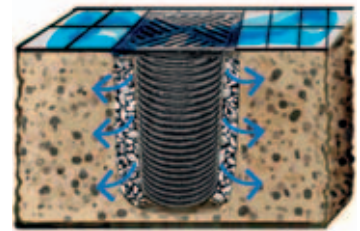


**3** In case of clay soil fill with shingle and then complete

**Please note:**  
As a drainage course use only light aggregate, grit or coarse sand.



**4** Installation complete



[www.aco.com](http://www.aco.com)

The ACO Group – a strong family you can trust.

All reasonable care has been taken in compiling the information in this document. All recommendations and suggestions on the use of ACO products are made without guarantee since the conditions of use are beyond the control of the Company. It is the customer's responsibility to ensure that each product is fit for its intended purpose and that the actual conditions of use are suitable. This brochure and any advice is provided free of charge and accordingly on terms that no liability (including liability for negligence) will attach to the Company or its servants or agents arising out of or in connection with or in relation to this brochure or any such advice. Any goods supplied by the Company will be supplied solely upon its standard conditions of sale, copies of which are available on request. The Company's policy of continuous product development and improvement renders specifications liable to modification. Information provided in this brochure is therefore subject to change without prior notification.